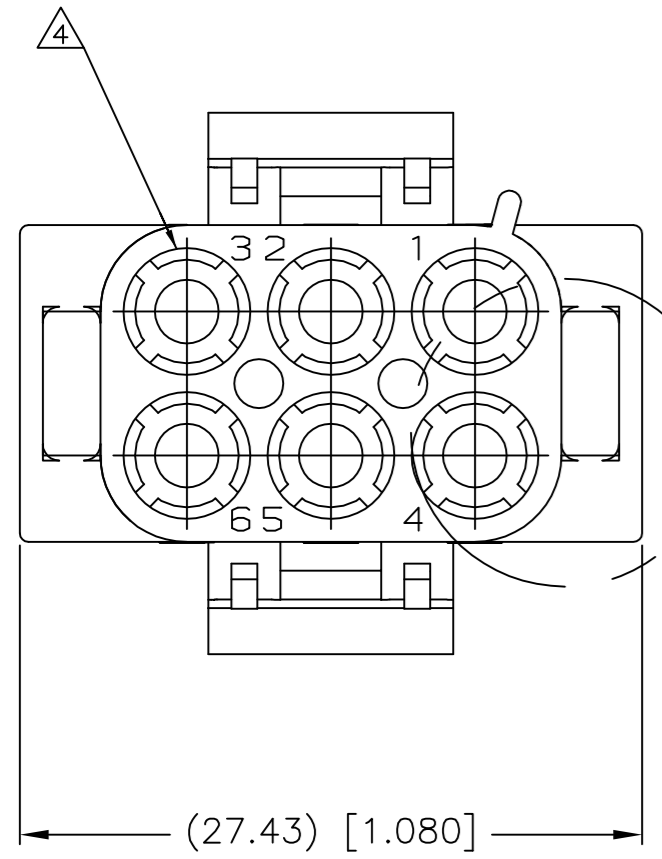
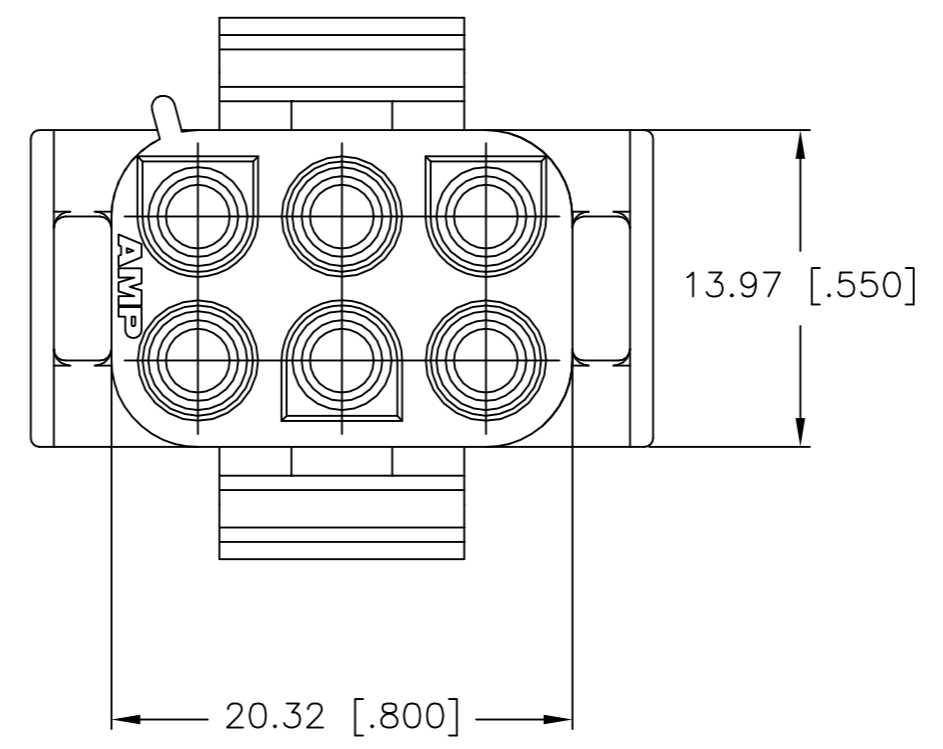
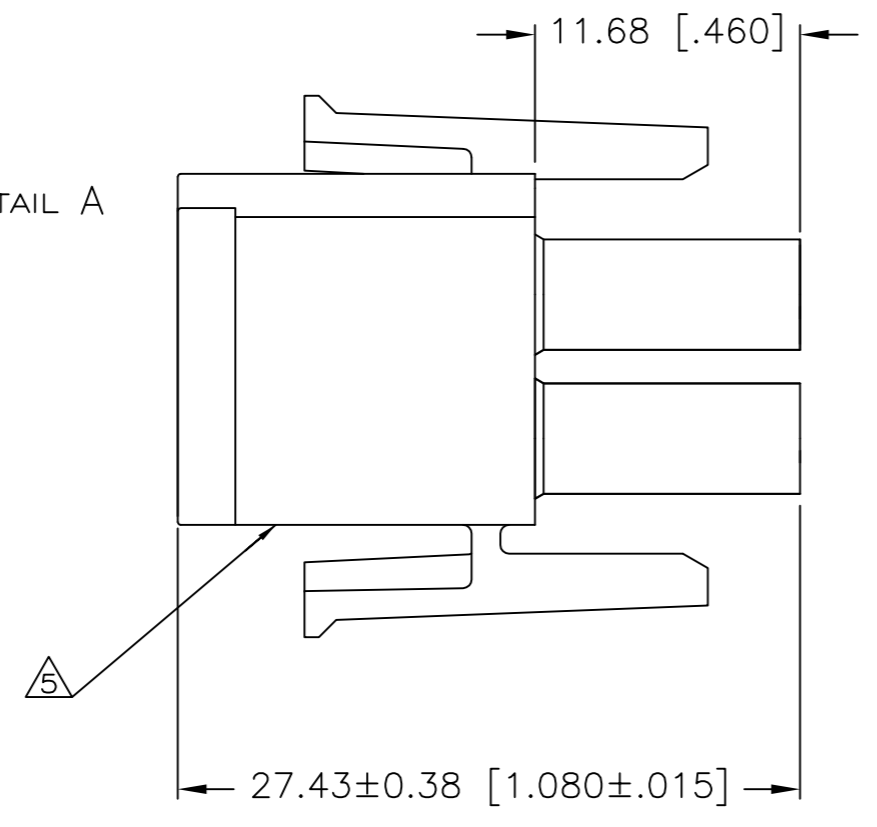


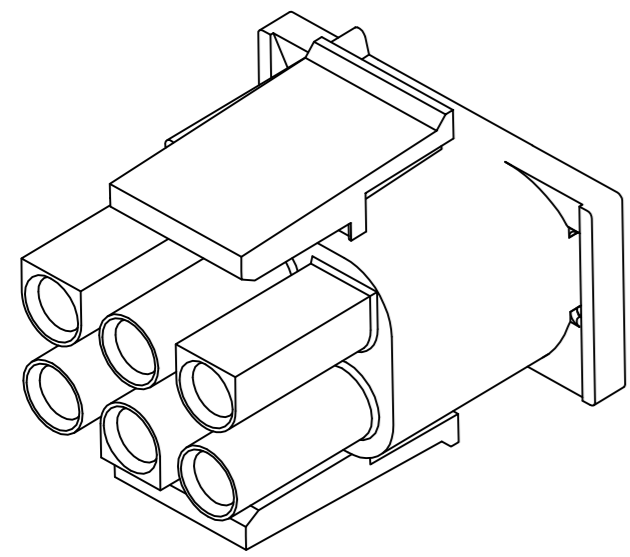
REVISIONS				
P	LTR	DESCRIPTION	DATE	APVD
A		REVISED PER ECR-17-015449	26OCT2017	BDA KR



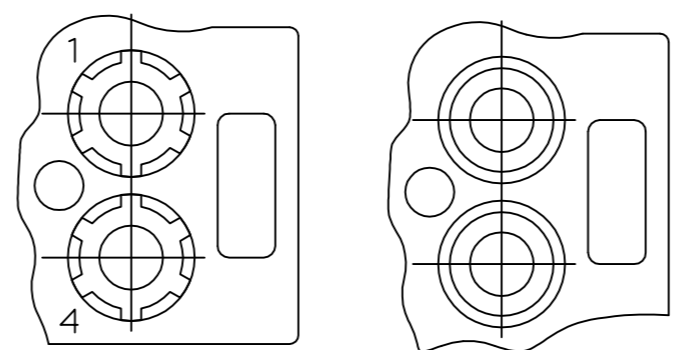
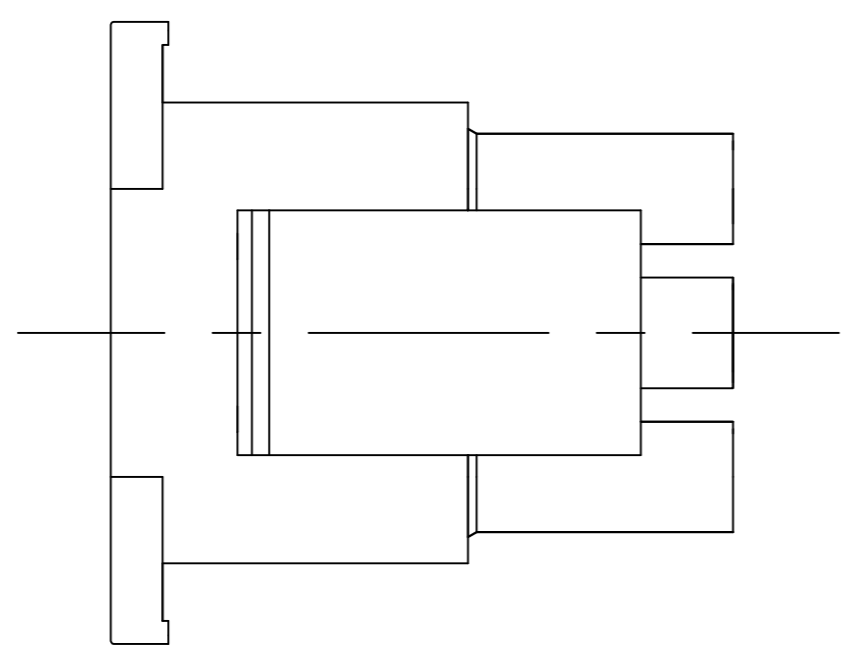
SEE DETAIL A



- MATES WITH APPROPRIATE UNIVERSAL MATE-N-LOK™ CAP OR HEADER.
- SMALL NICKS ARE PERMITTED ON THE CIRCUIT TOWERS WHICH COULD INCREASE THE INITIAL HOUSING MATING FORCE BY UP TO 4.4 NEWTONS [1.0 LBS]. NO INDIVIDUAL NICKED TOWER SHALL INCREASE THIS FORCE BY OVER 2.2 NEWTONS [.5 LBS].
- DIMENSIONS SHOWN REPRESENT PRODUCT IN DRY, AS MOLDED, CONDITION. ADDITIONAL 2% GROWTH DUE TO SUBSEQUENT MOISTURE ABSORPTION MAY OCCUR AND SHOULD BE ACCOUNTED FOR.
- FOUR RIBS EQUALLY SPACED, NO SPECIFIC ORIENTATION. NO RIBS OR SIX RIBS EQUALLY SPACED, NO SPECIFIC ORIENTATION, OPTIONAL.
- UNDERWRITERS RECOGNIZED COMPONENT LOGO AND CSA CERTIFICATION LOGO TO BE LOCATED ONCE EACH ON SIDE OF HOUSING.



3-DIMENSIONAL MODEL  
NTS



DETAIL A  
OPTIONAL CONSTRUCTIONS

BLACK	1586379-1
COLOR	PART NUMBER

THIS DRAWING IS A CONTROLLED DOCUMENT.		DWN S. HOOVER 05-MAR-2004	TE Connectivity PLUG, 6 CIRCUIT, UV RESISTANT, UNIVERSAL MATE-N-LOK™
DIMENSIONS: mm [INCHES]		CHK S. RIDGILL 05-MAR-2004	
		APVD S. RIDGILL 05-MAR-2004	
TOLERANCES UNLESS OTHERWISE SPECIFIED: 0 PLC ± 1 PLC ± 2 PLC ± 0.13 [.005] 3 PLC ± 4 PLC ± ANGLES ±		NAME PRODUCT SPEC	
MATERIAL NYLON, UL 94V-2	FINISH	WEIGHT -	APPLICATION SPEC
CUSTOMER DRAWING		SCALE 4:1	RESTRICTED TO
		SIZE A2	CAGE CODE 00779
		DRAWING NO C=1586379	REV A
		SHEET 1 OF 1	