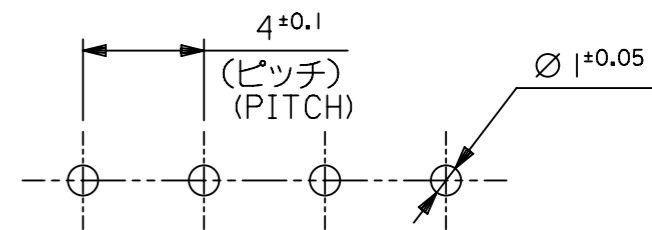


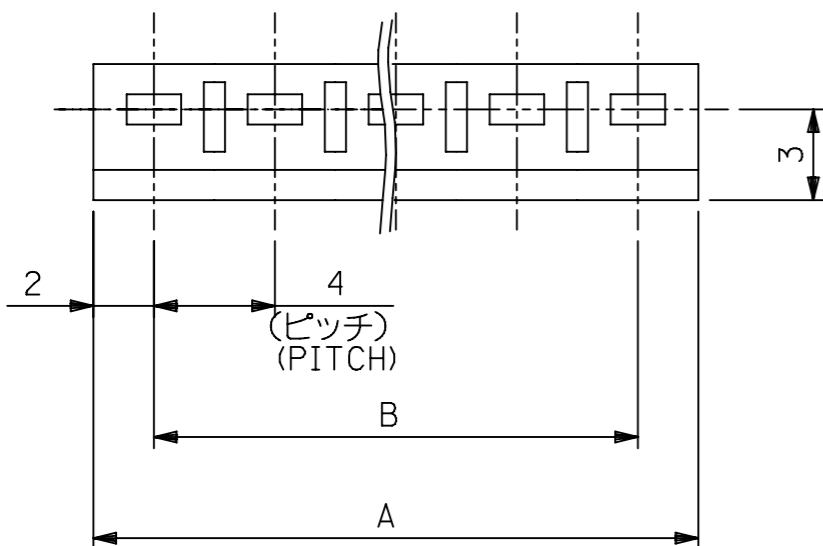
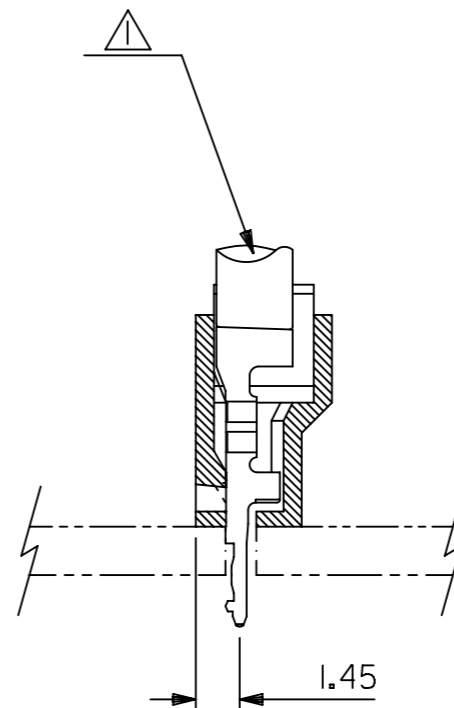
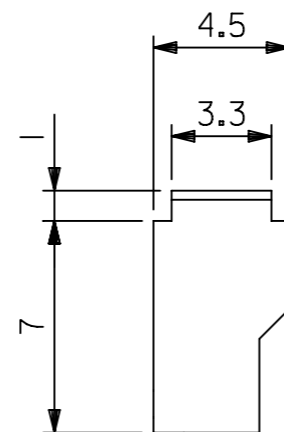
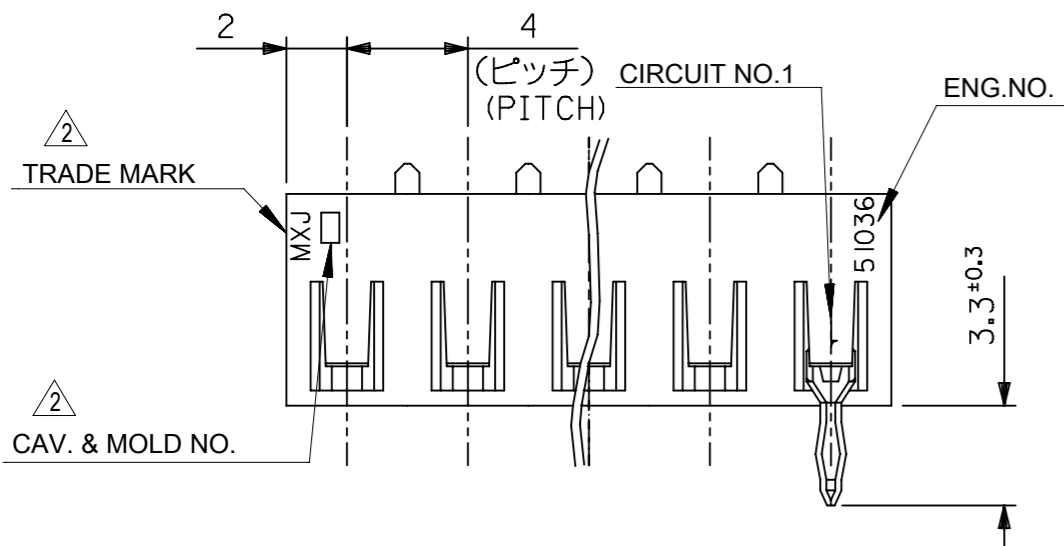
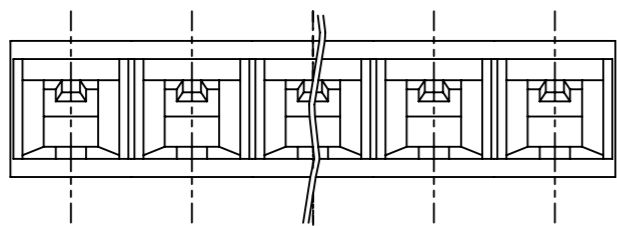
注記
NOTE

- ① 適合ターミナル : 500978*00
APPLICABLE : 500978*00
- ② トレードマーク : MXJにて表示。
キャビティー番号 : 1桁から2桁の数字にて表示。 金型番号 : アルファベット1文字にて表示。
TRADE MARK IS FORMED BY MXJ.
AND BY 1-2 DIGIT NUMBER (TO CAVITY NO.)
AND BY 1 LETTER OD ALPHABET (TO MOLD NO.)
- ③ ELV及びRoHS適合品
ELV AND RoHS COMPLIANT.

(公差非累積)
(NON-ACCUMULATIVE)



基板取付穴推奨寸法(基板厚: 1.6mm)
RECOMMENDED PC BOARD
HOLE DIMENSION
(THICKNESS: 1.6mm)



| | | | | |
|----|----|---|------------|------------|
| 16 | 20 | ↑ | 0500 | 5 |
| 12 | 16 | ↓ | 0400 | 4 |
| 8 | 12 | ↓ | 0300 | 3 |
| 4 | 8 | | 51036 0200 | 2 |
| B | A | | ENG.NO. | 極数 CKT. |

THIS DRAWING CONTAINS INFORMATION THAT IS PROPRIETARY TO MOLEX ELECTRONIC TECHNOLOGIES, LLC AND SHOULD NOT BE USED WITHOUT WRITTEN PERMISSION

| | | |
|----------------------|---|--|
| 材料 MATERIAL | POLYAMIDE,UL94V-0 | |
| 適用電線範囲 WIRE RANGE | AWG#22 ~ 18,AV0.5 ~ 0.85 AVS0.3 ~ 0.85 | |
| 被覆外径 INS. RANGE | Ø1.8 ~ 2.6 | |

| GENERAL TOLERANCES (UNLESS SPECIFIED) | |
|--|-------|
| 10 ^{UNDER} | ±0.2 |
| 10 ^{OVER} 30 ^{UNDER} | ±0.25 |
| 30 ^{OVER} | ±0.3 |
| ANGULAR | ±3° |

| | | | |
|--|-----------|---|----------------------------|
| mm | SCALE 4:1 | CURRENT REV DESC: REMOVED OBSOLETE PART NUMBER AS PER PCN#510808. | |
| GENERAL TOLERANCES (UNLESS SPECIFIED) | | EC NO: 736640 | |
| 4 PLACES ± | MM INCH | DRWN: LIKITV | 2023/01/25 |
| 3 PLACES ± | | CHK'D: GGA | 2023/02/16 |
| 2 PLACES ± | | APPR: GGA | 2023/02/16 |
| 1 PLACE ± | | INITIAL REVISION: | |
| 0 PLACES ± | | DRWN: KSAND | 1996/06/30 |
| ANGULAR TOL ± ° | | APPR: MENOMOTO | 1996/06/30 |
| DRAFT WHERE APPLICABLE MUST REMAIN WITHIN DIMENSIONS | | THIRD ANGLE PROJECTION | DRAWING SERIES |
| | | A3-SIZE | 51036 |
| | | MATERIAL NUMBER | CUSTOMER |
| | | SEE TABLE | GENERAL MARKET |
| | | DOCUMENT NUMBER | DOC TYPE DOC PART REVISION |
| | | SD-51036-001 | PSD 001 H3 |
| | | SHEET NUMBER | |
| | | 1 OF 1 | |