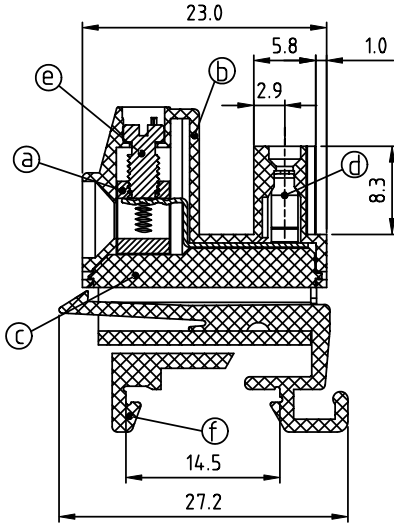
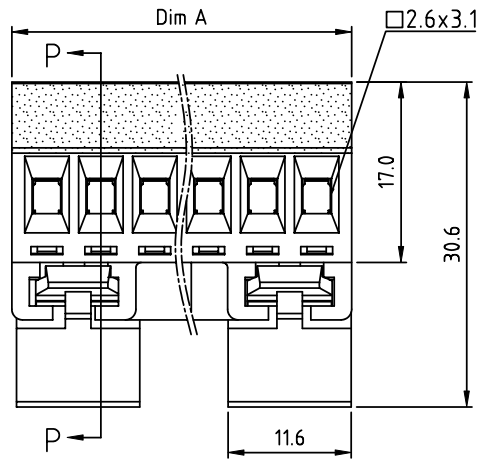
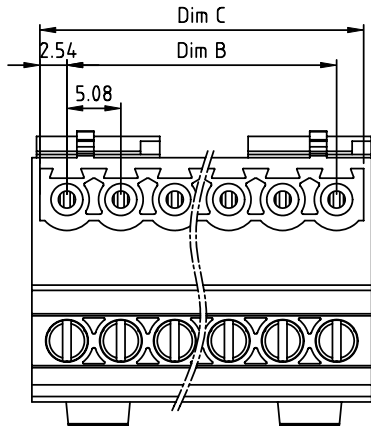


PRODUCT NUMBER	PITCH
V9xx51x200J0G	5.08 mm



Material:

- Item Ⓐ Clamp: Brass Ni plated
- Item Ⓒ Terminal (housing): Thermoplastic (UL94V-0)
- Item Ⓓ Terminal (Cover): Thermoplastic (UL94V-0)
- Item Ⓔ Male contact: PhBz, Tin plated.
- Item Ⓒ Terminal screw: Steel Zinc plating " - " slot type
- Item Ⓕ Terminal(track): Thermoplastic (UL94V-0)

Electrical: cULus

- Voltage rating:300V
- Current rating: 12A
- Wire range:
- Solid wire(AWG):12-30
- Stranded wire(AWG):12-30
- Torque:5.2Lb-In.
- Screw:M3
- Wire strip length: 6-7 mm
- Withstanding Voltage: 1.6KV
- Operating temperature:-40°C to +115°C
- Safety Approval:

Dimension

Dim A	$(N-1) \times 5.08 + 6.6$
Dim B	$(N-1) \times 5.08$
Dim C	$N \times 5.08$

N=Number of poles

Poles	Tolerance
2P - 6P	±0.15
7P - 12P	±0.20
13P - 18P	±0.30
19P - 24P	±0.40

PART NO.: V9 xx 51 x 2 00J0 G

SECTION P-P

Solid block	No. of poles	Color	RoHS compliant (lead<4%) In copper Alloy
0	2	Black (RAL9005)	
02	2 poles	Red (RAL3001/D)	
03	3 poles	Orange(RAL2011/P)	
04	3 poles	Yellow(RAL1018/A)	
05	3 poles	Green(RAL6018/T)	
06	24 poles	Blue (RAL5015/A)	
08		Grey(RAL7035/D)	
09		White(RAL1102)	
0C		Green(RAL6018/U)	

mat'l. code		surface ASME Y14.5	tolerance ASME Y14.5	projection 	product family TERMINAL BLOCK
ltr	ecn no	dr	date	tolerances unless otherwise specified	title TERMINAL BLOCK PLUGGABLE PLUG,DINRAIL MOUNTING,A TYPE
				angles $X \pm 1^\circ$	
				scale MM	sheet 1 of 1 size A4
		dr	EVIN ZHONG	050414	dwg no V9xx51x200J0G type CUSTOMER Drawing
		enr	EVIN ZHONG	050414	
		chr	HANKE FENG	050414	
		appd	SHI JUN	050414	
sheet index	revision	A	sheet	1	