

4

3

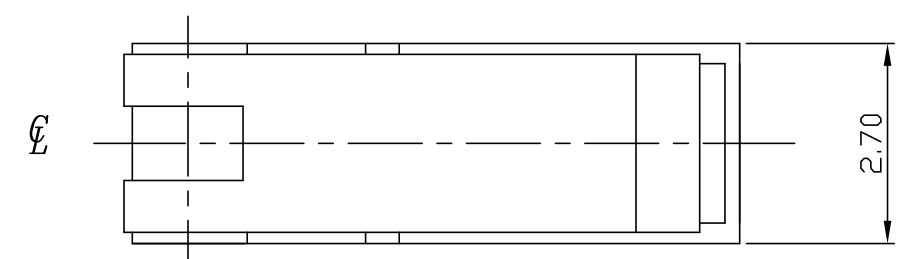
2

1

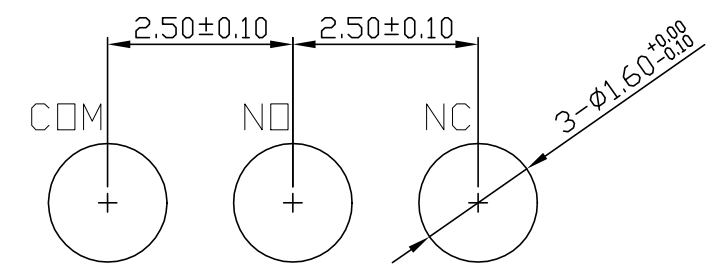
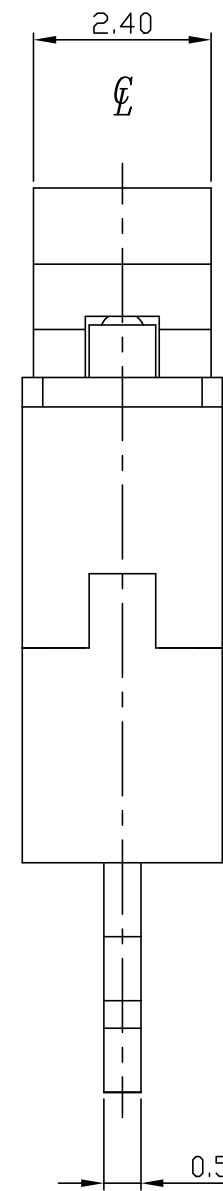
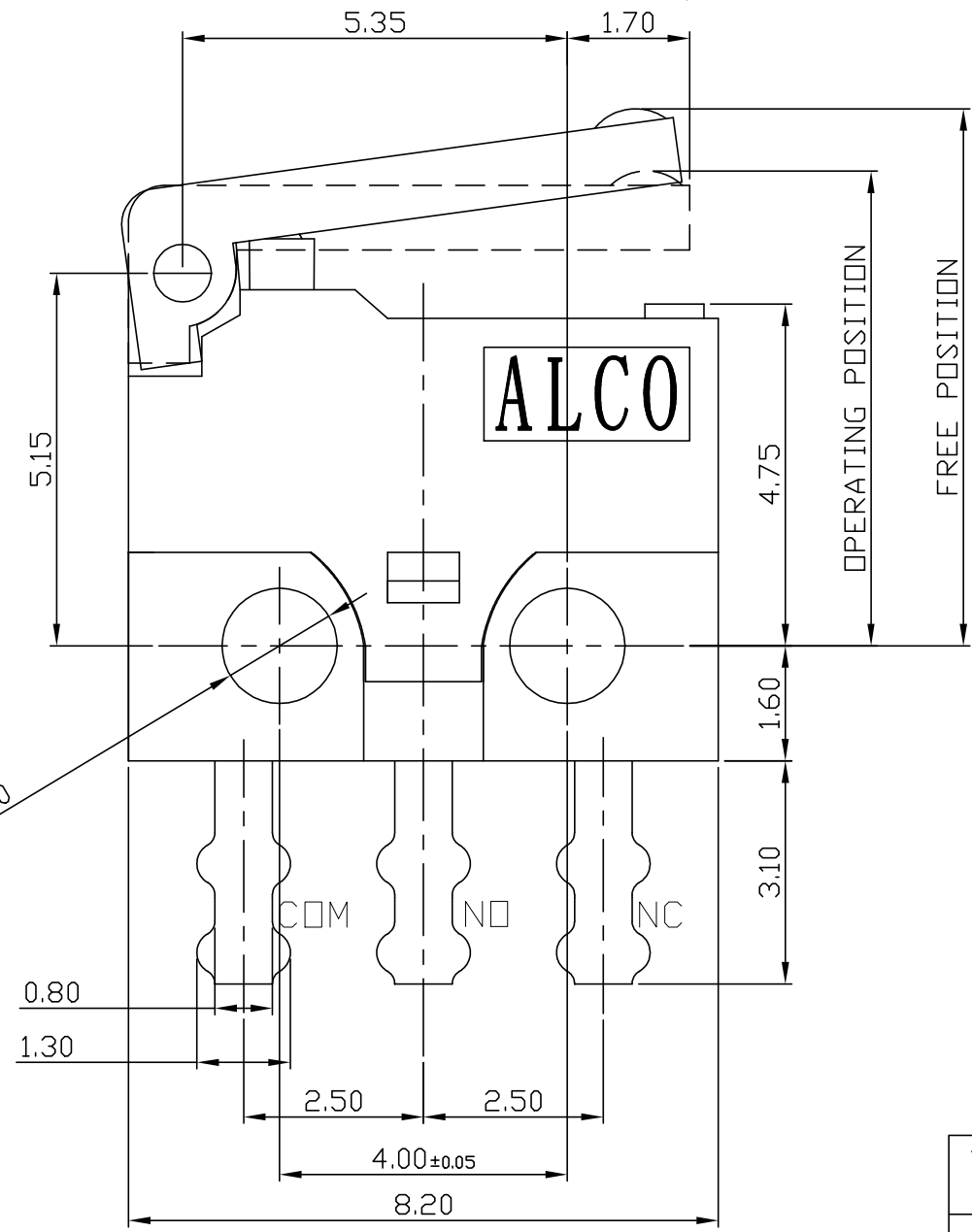
THIS DRAWING IS UNPUBLISHED. RELEASED FOR PUBLICATION
 © COPYRIGHT - TE Connectivity Ltd. ALL RIGHTS RESERVED.

REVISIONS				
P	LTR	DESCRIPTION	DATE	APVD
1		NEW DRAWING	13MAY2019	GCM AS

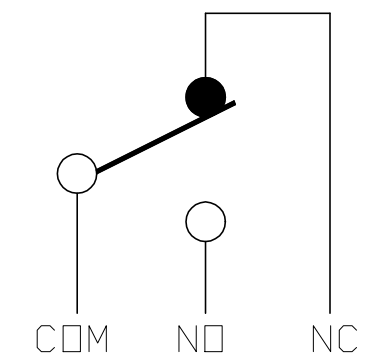
APPLICABLE FOR TE P/N
2351460-1



A
↓



P.C.B. LAYOUT



CIRCUIT DIAGRAM

PRELIMINARY

THIS DRAWING IS A CONTROLLED DOCUMENT.		DWN GANESH C M 13MAY2019	TE Connectivity Ltd.	
DIMENSIONS: mm		CHK ALEXANDER SHARPE 13MAY2019		
TOLERANCES UNLESS OTHERWISE SPECIFIED:		APVD ALEXANDER SHARPE 13MAY2019	NAME SWITCH, MINIATURE SNAP ACTION, HINGE LEVER, STRAIGHT TERMINALS	
0 PLC ± - 1 PLC ± 0.15 2 PLC ± 0.15 3 PLC ± - 4 PLC ± - ANGLES ± -		PRODUCT SPEC -	SIZE A3	
MATERIAL -		FINISH -	CAGE CODE 00779	DRAWING NO C=2351460
		APPLICATION SPEC -	RESTRICTED TO -	
		WEIGHT -	SCALE NTS	
		CUSTOMER DRAWING	SHEET 1 of 4	
			REV 1	

4

3

2

1

THIS DRAWING IS UNPUBLISHED.

RELEASED FOR PUBLICATION

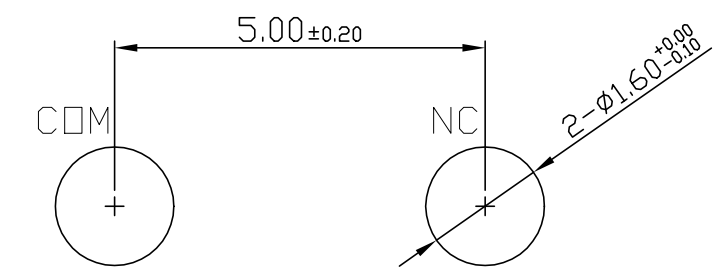
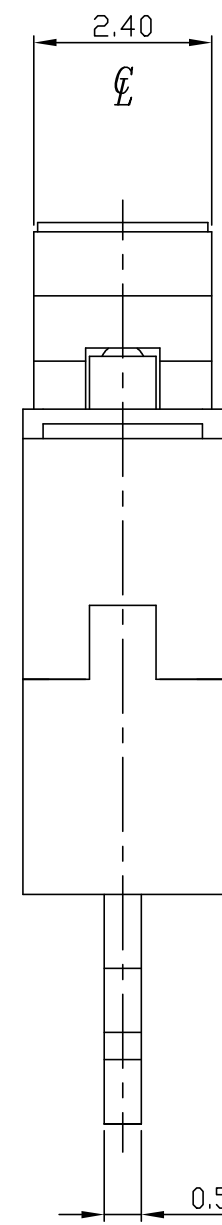
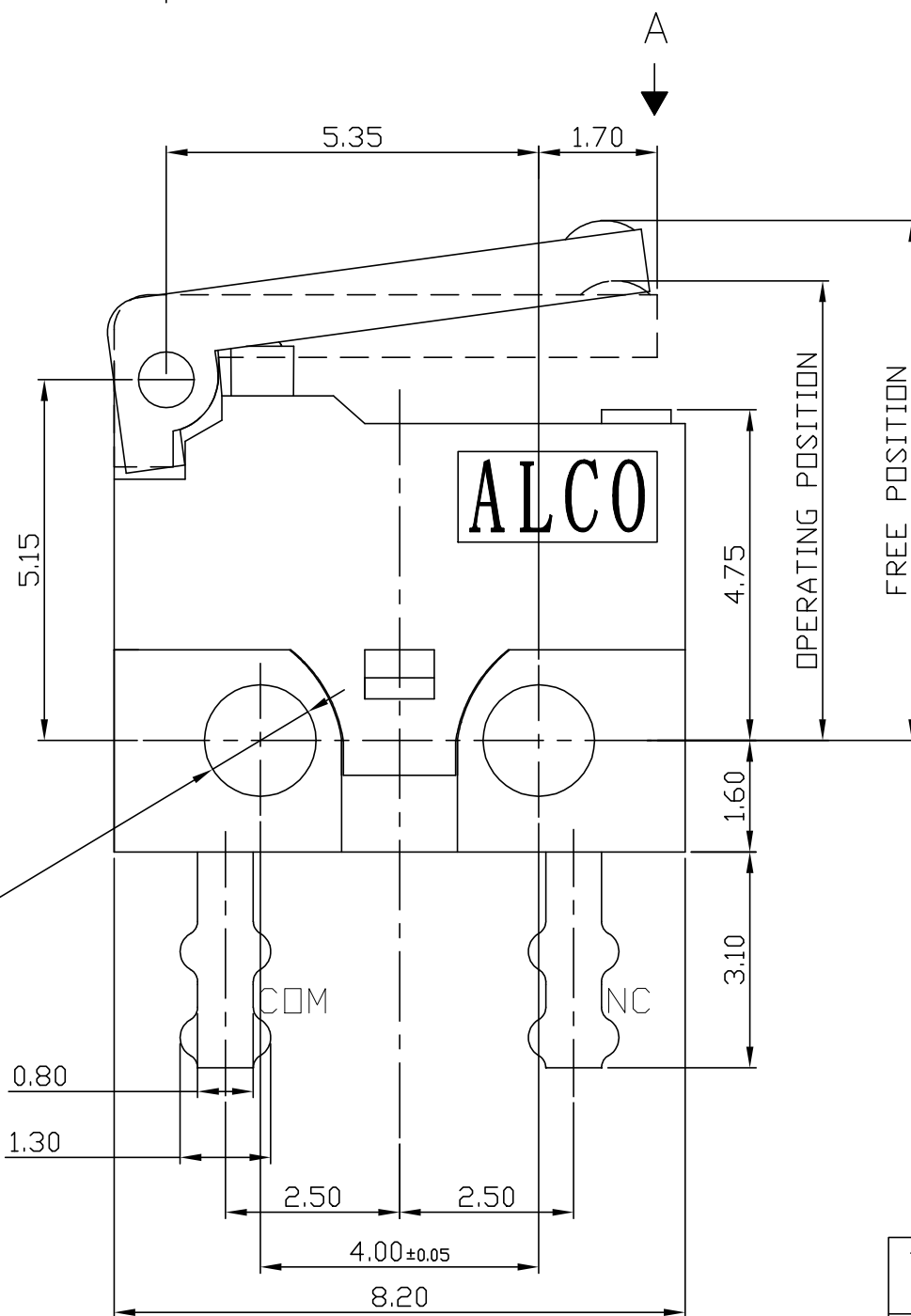
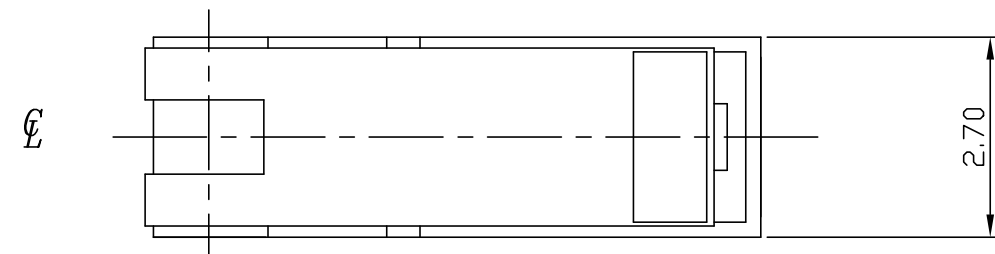
ALL RIGHTS RESERVED.

© COPYRIGHT - TE Connectivity Ltd.

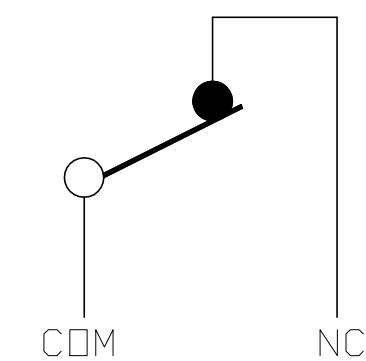
REVISIONS

P	LTR	DESCRIPTION	DATE	DWN	APVD
-	-	SEE SHEET 1	-	-	-

APPLICABLE FOR TE P/N
2351460-2



P.C.B. LAYOUT



CIRCUIT DIAGRAM

D

D

C

C

B

B

A

A

THIS DRAWING IS A CONTROLLED DOCUMENT.		DWN GANESH C M 13MAY2019	TE Connectivity Ltd.	
DIMENSIONS: mm		CHK ALEXANDER SHARPE 13MAY2019		
TOLERANCES UNLESS OTHERWISE SPECIFIED:		APVD ALEXANDER SHARPE 13MAY2019	NAME SWITCH, MINIATURE SNAP ACTION, HINGE LEVER, STRAIGHT TERMINALS	
0 PLC ± - 1 PLC ± 0.15 2 PLC ± 0.15 3 PLC ± - 4 PLC ± - ANGLES ± -		PRODUCT SPEC -	SIZE A3	
MATERIAL -		FINISH -	CAGE CODE 00779	DRAWING NO C=2351460
		WEIGHT -	RESTRICTED TO -	
		CUSTOMER DRAWING	SCALE NTS	SHEET 2 of 4
			REV 1	

PRELIMINARY

4

3

2

1

THIS DRAWING IS UNPUBLISHED.

RELEASED FOR PUBLICATION

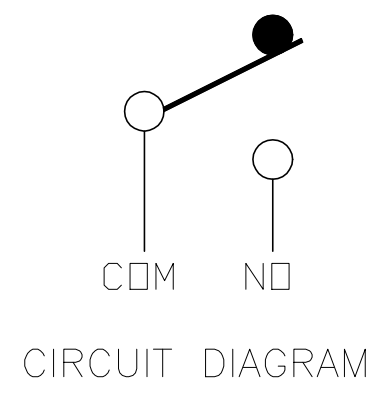
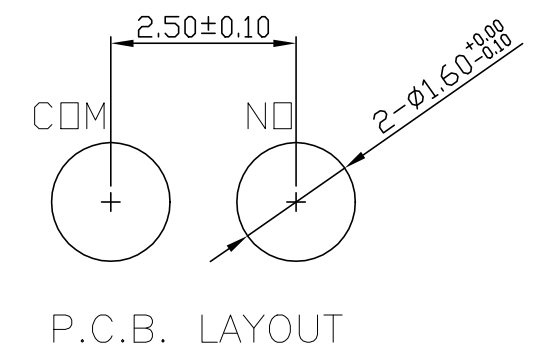
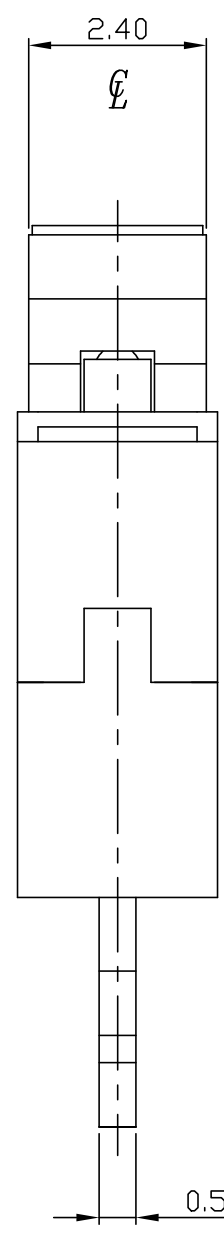
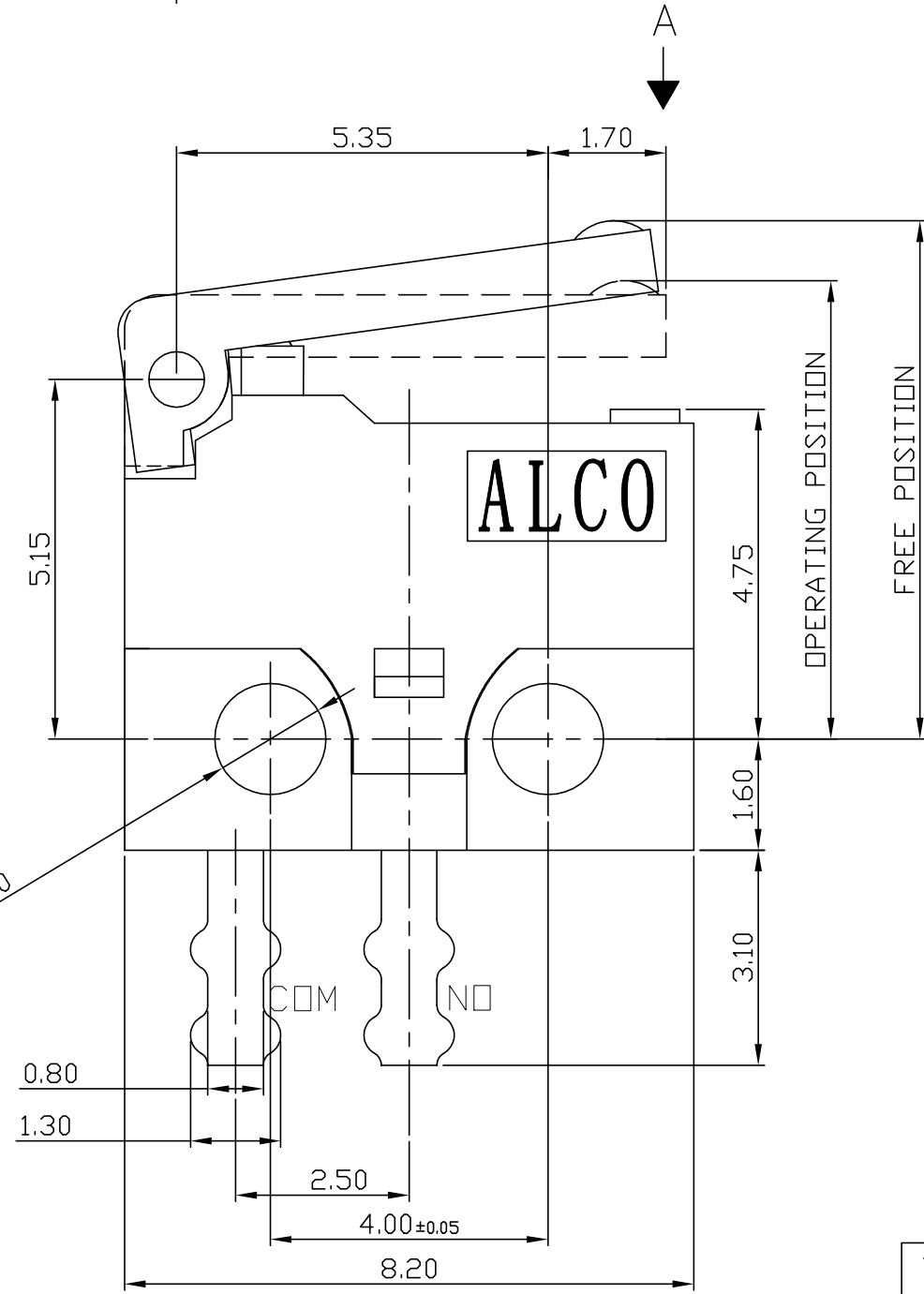
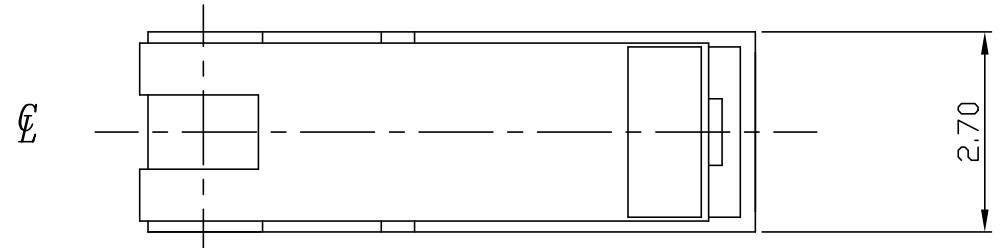
REVISIONS

© COPYRIGHT - TE Connectivity Ltd.

ALL RIGHTS RESERVED.

P	LTR	DESCRIPTION	DATE	DWN	APVD
-	-	SEE SHEET 1	-	-	-

APPLICABLE FOR TE P/N
2351460-3



D

D

C

C

B

B

A

A

THIS DRAWING IS A CONTROLLED DOCUMENT.		DWN GANESH C M 13MAY2019	TE TE Connectivity Ltd.	
DIMENSIONS: mm		CHK ALEXANDER SHARPE 13MAY2019		
TOLERANCES UNLESS OTHERWISE SPECIFIED:		APVD ALEXANDER SHARPE 13MAY2019	NAME SWITCH, MINIATURE SNAP ACTION, HINGE LEVER, STRAIGHT TERMINALS	
0 PLC ± -		PRODUCT SPEC	SIZE A3	
1 PLC ± 0.15		APPLICATION SPEC	CAGE CODE 00779	DRAWING NO C=2351460
2 PLC ± 0.15		WEIGHT	RESTRICTED TO	
3 PLC ± -		CUSTOMER DRAWING	-	
4 PLC ± -		SCALE NTS	SHEET 3 of 4	REV 1
ANGLES ± -				
FINISH				
MATERIAL				

PRELIMINARY

THIS DRAWING IS UNPUBLISHED. RELEASED FOR PUBLICATION
 © COPYRIGHT - TE Connectivity Ltd. ALL RIGHTS RESERVED.

REVISIONS				
P	LTR	DESCRIPTION	DATE	APVD
-	-	SEE SHEET 1	-	-


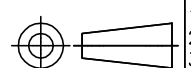
NOTES:

- OPERATING CHARACTERISTICS ARE FOR OPERATION IN THE A DIRECTION ↓
- PACKAGING:
SWITCHES ARE BULK PACKAGED IN BAGS, 500 SWITCHES PER BAG, 2 BAGS PER BOX.
- COMPLIANCE:
THE CURRENT STATEMENT OF COMPLIANCE IS AVAILABLE AT TE.COM.
- MATERIAL AND FINISH:
COVER: THERMOPLASTIC, BLACK
BASE: THERMOPLASTIC, BLACK
BUTTON: THERMOPLASTIC, BLACK
CONTACT: SILVER ALLOY
TERMINAL: BRASS, SILVER PLATED
SPRING PLATE: COPPER ALLOY
LEVER: THERMOPLASTIC, BLACK
- SPECIFICATIONS:
CURRENT RATING: SEE TABLE
CONTACT RESISTANCE: 100mΩ MAXIMUM, INITIAL, AT FREE POSITION AND TOTAL TRAVEL POSITION
INSULATION RESISTANCE: 100MΩ MINIMUM, @ 100 V DC, 1 MINUTE, INITIAL.
DIELECTRIC WITHSTANDING VOLTAGE, BETWEEN TERMINALS OF THE SAME POLARITY: 250 V AC, 50 TO 60 Hz FOR 1 MINUTE
DIELECTRIC WITHSTANDING VOLTAGE, BETWEEN EACH TERMINAL AND GROUND: 250 V AC, 50 TO 60 Hz FOR 1 MINUTE
DIELECTRIC WITHSTANDING VOLTAGE, BETWEEN EACH TERMINAL AND NON-CURRENT CARRYING METAL PART :1500 V AC, 50 TO 60 Hz FOR 1 MINUTE
- SOLDER PROCESS:
MANUAL SOLDERING: 350°C, 3 SECONDS MAXIMUM, 30 TO 40 WATTS. PREVENT SOLDER AND FLUX CONTACTING THE SWITCH BODY.
DO NOT OPERATE THE SWITCH DURING THE FIRST MINUTE AFTER SOLDERING.
WAVE SOLDERING: 260°C, 5 SECONDS MAXIMUM. PREVENT SOLDER AND FLUX CONTACTING THE SWITCH BODY.
DO NOT OPERATE THE SWITCH DURING THE FIRST MINUTE AFTER SOLDERING.

CONTACT FINISH	CONTACT FORM	MECHANICAL LIFE	ELECTRICAL LIFE	STORAGE TEMPERATURE RANGE/HUMIDITY RANGE	OPERATING TEMPERATURE RANGE/HUMIDITY RANGE	MOVEMENT DIFFERENTIAL	OVERTRAVEL	PRETRAVEL	OPERATING POSITION	FREE POSITION	RELEASE FORCE	OPERATING FORCE	CONTACT RATING	CONTACT CONFIGURATION	TERMINAL TYPE	TE SMART PART NUMBER	PART NUMBER
SILVER	SPST, NORMALLY OPEN	100,000 CYCLES, MINIMUM	50,000 CYCLES, MINIMUM	-40 TO +85°C/85% RELATIVE HUMIDITY MAXIMUM	-40 TO +85°C/60% RELATIVE HUMIDITY MAXIMUM	0.70 MAXIMUM	0.30 MINIMUM	1.80 MAXIMUM	6.7±0.5	8.0 MAXIMUM	3 gf MINIMUM	50 gf MAXIMUM	0.5A, 30V DC	MOMENTARY	STRAIGHT	SAJ405XHL0N30SNOUPQ	2351460-3
	SPST, NORMALLY CLOSED															SAJ405XHL0N30SNCUPQ	2351460-2
	SPDT															SAJ405XHL0N30SDTUPQ	2351460-1

PRELIMINARY

THIS DRAWING IS A CONTROLLED DOCUMENT.

DIMENSIONS: mm	TOLERANCES UNLESS OTHERWISE SPECIFIED:	DWN 13MAY2019 GANESH C M	 TE Connectivity Ltd.
	0 PLC ± - 1 PLC ± 0.15 2 PLC ± 0.15 3 PLC ± - 4 PLC ± - ANGLES ± -	CHK 13MAY2019 ALEXANDER SHARPE	
		APVD 13MAY2019 ALEXANDER SHARPE	
		PRODUCT SPEC	
MATERIAL	FINISH	APPLICATION SPEC	NAME SWITCH, MINIATURE SNAP ACTION, HINGE LEVER, STRAIGHT TERMINALS
		WEIGHT	SIZE CAGE CODE DRAWING NO RESTRICTED TO A3 00779 C=2351460 -
CUSTOMER DRAWING			SCALE NTS SHEET 4 of 4 REV 1