

6

5

4

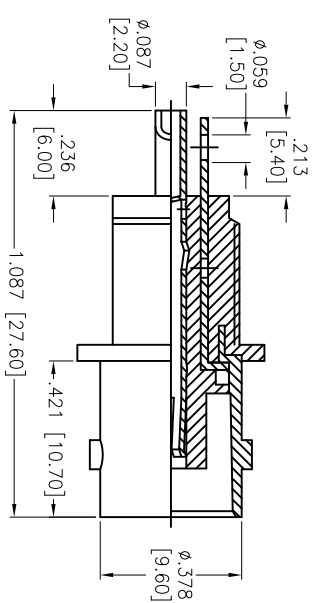
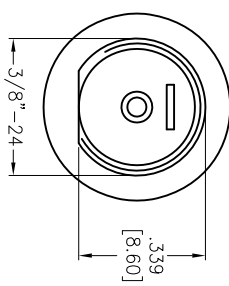
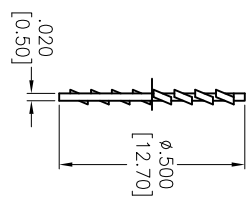
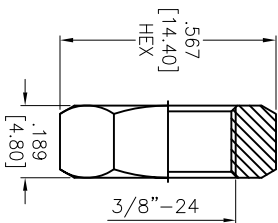
3

2

1

APPROVED: \_\_\_\_\_  
DATE: \_\_\_\_\_ TITLE: \_\_\_\_\_

Rev	AWO #	Description	Date	Appr
-	12196	RELEASED	05/18/12	
A	12196	REVISED SPEC.	02/22/13	



WASHER	STEEL	NICKEL
NUT	BRASS	NICKEL
GROUND RING	BRASS	NICKEL
CONTACT PIN	BRASS	GOLD
INSULATOR	DELRIN	WHITE
BODY	BRASS	NICKEL
DESCRIPTION	MATERIAL	FINISH

**SPECIFICATIONS:**

Electrical:  
 Nominal Impedance: 50 ohms  
 Frequency range: 0-4 GHz  
 Maximum peak voltage: 500V  
 Insulation resistance: 5000 Mohm min @ 500 VDC  
 Dielectric withstanding voltage: 1500 VAC rms  
 Environmental:  
 Lead free, RoHS compliant.

UNLESS OTHERWISE SPECIFIED  
 ALL DIMENSIONS ARE INCHES [MM]  
 TOLERANCES: EXCEPT AS NOTED  
 INCHES HOLES  
 .X ± .10 Ø.X ± .10  
 .XX ± .020 Ø.XXX ± .015  
 .XXX ± .015 Ø.XXXX ± .010

APPROVALS		DATE
DRAWN	TW	05/18/12
CHECKED	NP	05/18/12
APPROVED		

**ADAM TECH**  
 909 Ratway Avenue, Union, NJ 07083  
 Phone: 908-687-5000 Fax: 908-687-5710

TITLE: BNC FEMALE ISOLATED GROUND  
 BULKHEAD, 50 OHM

SIZE	PART NO.	REV.
X	RF1-08-D-00-50-HDW	A
REF:	S00049T	SHEET 1 OF 1
SCALE:	NTS	

6

5

4

3

2

1