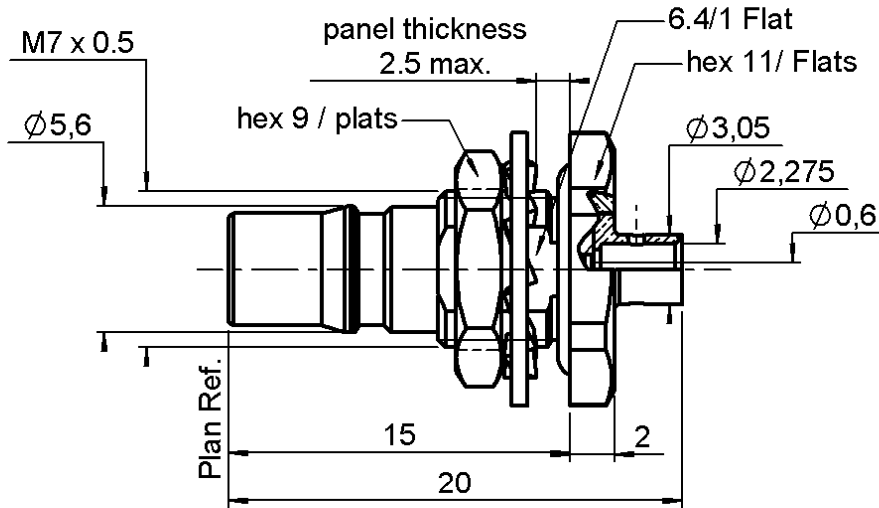


STRAIGHT BULKHEAD JACK SOLDER TYPE

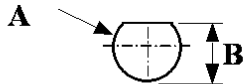
R123.326.003

PANEL SEAL CABLE .085

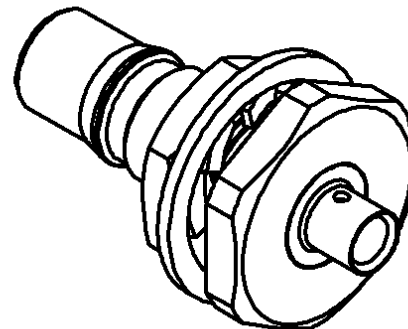
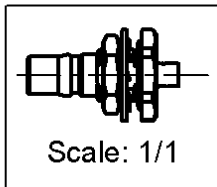
Series : QMA



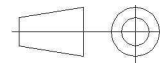
PANEL CUT OUT



	mm	
	Maxi	mini
A	7.3	7.2
B	6.65	6.5



All dimensions are in mm.



COMPONENTS	MATERIALS	PLATINGS (µm)
BODY	BRASS	GOLD 0.8 OVER COPPER 0.5
CENTER CONTACT	BERYLLIUM COPPER	GOLD 1.3 OVER COPPER 2.5
OUTER CONTACT	-	-
INSULATOR	PTFE	-
GASKET	SILICONE RUBBER	-
OTHERS PARTS	-	-
-	-	-
-	-	-

Issue : 0923 A

In the effort to improve our products, we reserve the right to make changes judged to be necessary.



STRAIGHT BULKHEAD JACK SOLDER TYPE

R123.326.003

PANEL SEAL CABLE .085

Series : QMA

PACKAGING

Standard	Unit	Other
100	'W' option	Contact us

SPECIFICATION

ELECTRICAL CHARACTERISTICS

Impedance	50	Ω
Frequency	0-6	GHz
VSWR	1.05 + 0,0150	x F(GHz) Maxi
Insertion loss	.05	\sqrt{F} (GHz) dB Maxi
RF leakage	- (***80)	- F(GHz)) dB Maxi
Voltage rating	335	Veff Maxi
Dielectric withstanding voltage	1000	Veff mini
Insulation resistance	5000	M Ω mini

CABLE ASSEMBLY

Stripping	a	b	c	d	e	f
mm	3,17	0,00	0,00	0,00	0,00	0,00

Assembly instruction : **NA**

Recommended cable(s)
KS 1
RG 405

Characteristics indicated on this data sheet are those that can be achieved with the highest performance cable. Intrinsic limitations of the cable may diminish the performance of the assembly

Cable retention

- pull off **130** N mini
- torque **NA** N.cm

MECHANICAL CHARACTERISTICS

Center contact retention		
Axial force – Mating end	18	N mini
Axial force – Opposite end	18	N mini
Torque	NA	N.cm mini

TOOLING

Part Number	Description	Hexagon
.	.	.
R282.862.090	CONTROL GAUGE	
R282.063.000	POINTER GAUGE	
R282.051.000	STRIPPING TOOL	
R282.740.000	SOLDERING MOUNTING	
R282.744.220	SOLDERING POSITIONER (CENTER CONTACT)	

Recommended torque		
Mating	NA	N.cm
Panel nut	160	N.cm
Clamp nut	NA	N.cm
A/F clamp nut	0,0000	mm

Mating life	100	Cycles mini
Weight	4,4000	g

ENVIRONMENTAL

Operating temperature	-40/+105	$^{\circ}$ C
Hermetic seal	NA	Atm.cm3/s
Panel leakage	IP67	

OTHERS CHARACTERISTICS

**Intermod.: -120dBc at 1.8GHz (2x20w)
***RF Leakage interf.only: $3 < F < 6$ GHz: >70db

Issue : 0923 A

In the effort to improve our products, we reserve the right to make changes judged to be necessary.



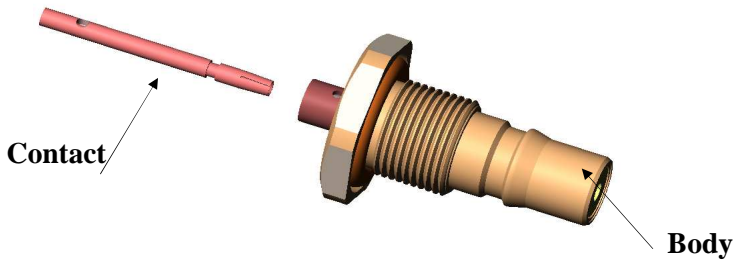
STRAIGHT BULKHEAD JACK SOLDER TYPE

R123.326.003

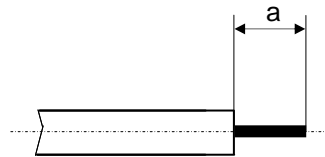
PANEL SEAL CABLE .085

Series : QMA

COMPONENTS



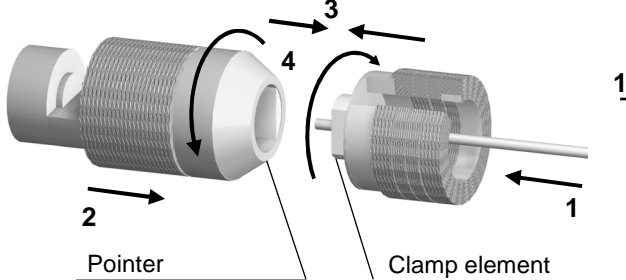
STRIPPING DIMENSIONS



We recommend a thermal preconditioning cable

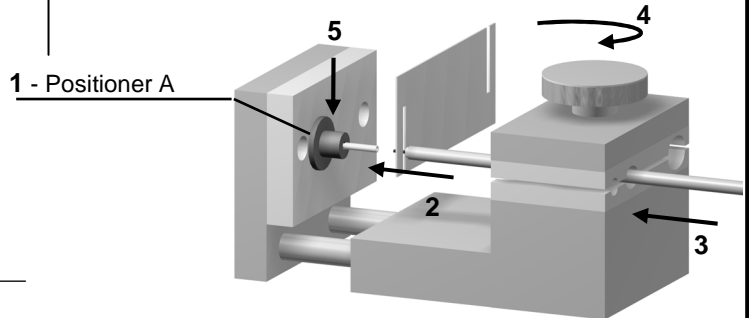
1

Insert the cable into the clamp element. Present the pointer in front of the clamp element. Push the cable until it stops, while holding the clamp Element pushed on the hollow part of the pointer. Turn the clamp element until the release of pointer.



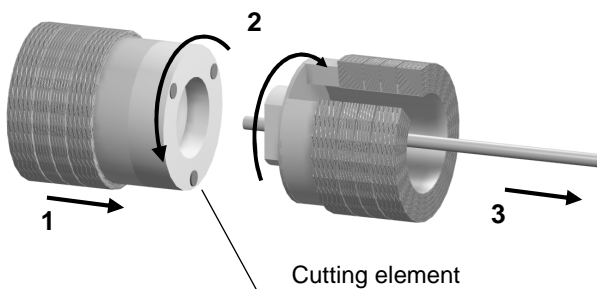
3

Mount the positioner A. Slide the center contact into the positioner A. Insert the solder gauge between the center contact and the cable. Tighten. Solder the contact.



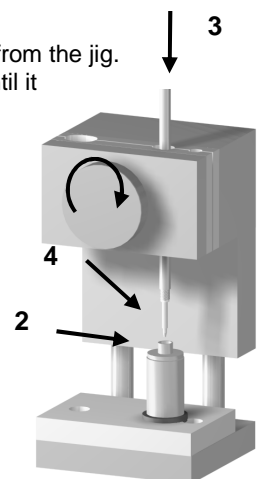
2

Present the cutting element in front of the clamp element. Push and turn both elements, back part opposite to the Front part. Once they reach the stop, pull without revolving.



4

After cooling, remove the assembly from the jig. Slide the cable into the connector until it bottoms against. Tighten. Put three rings of solder around the cable and solder.



Issue : 0923 A

In the effort to improve our products, we reserve the right to make changes judged to be necessary.



RADIALL®