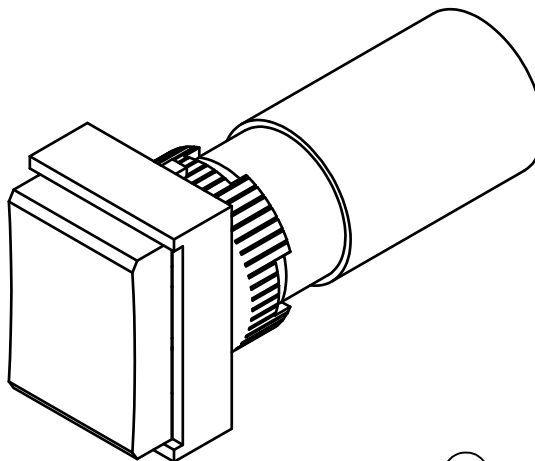
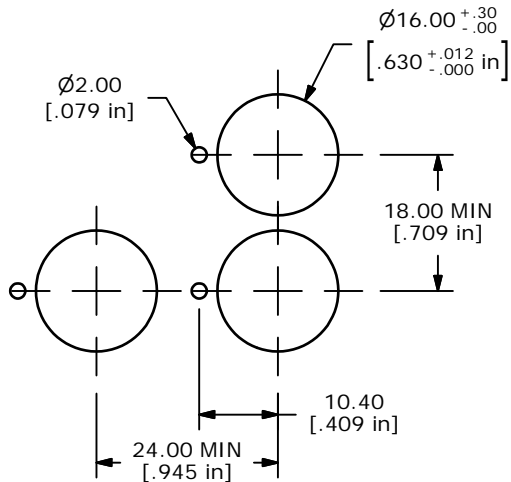
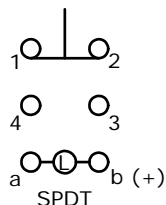


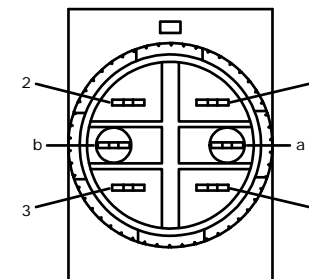
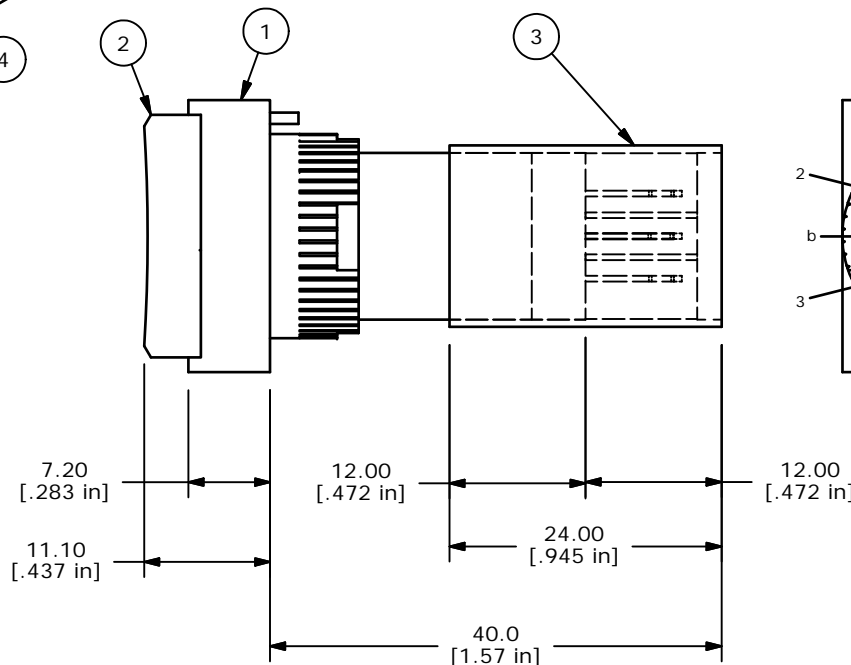
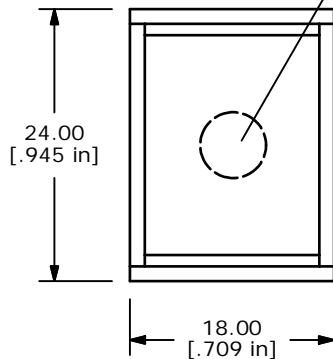
ITEM	QTY	PART NUMBER	DESCRIPTION
1	1	F040012	P16OAT11
2	1	F052204	50-002-02 OPAQUE CONCAVE RED LENS
3	1	F051601	P16 PLASTIC TERMINAL PROTECTOR
4	1	F050405	50-004-05 28VDC (40mA) INCANDESCENT



PANEL MOUNTING



CONTACT CONFIGURATION



NOTE:

1. ALL DIMENSIONS IN MM [INCH]
2. GENERAL TOLERANCE: X.X=±0.4
X.XX=±0.25
3. TERMINAL NUMBERS FOR REF ONLY
4. MECHANICAL LIFE: 2,000,000 OPERATIONS
5. CONTACT RATING: 5A @250VAC, 8A @125VAC B
6A @24VDC
6. CONTACT RESISTANCE: 20 Milli-OHM MAX.
7. MOUNTING PANEL THICKNESS: 0.5 - 5.0mm
8. SEAL RATING: IP40
9. INSULATION RESISTANCE: 1,000 Mega-OHM MIN.
10. OPERATING TEMP.: -25°C to 55°C
11. TRAVEL: 3,0mm FULL TRAVEL
- ▲ 12. LAMP VOLTAGE: 28V 40mA INCANDESCENT
13. ▲ DENOTES CRITICAL PARAMETER.
14. 2002/95/EC (ROHS) COMPLIANT



B	19844	CORRECT RATING NOTE	04/14/11	BMA
A	19794	RELEASED FOR PRODUCTION	03/29/11	BMA
REV	PCR NO	DESCRIPTION	DATE	BY

TITLE P16OAT11CRED				
SCALE	DATE	DR	DWG	REV
2:1	3/29/2011	BMA	XF0841P	B

THE INFORMATION CONTAINED IN THIS DOCUMENT IS PROPRIETARY TO E-SWITCH AND IS NOT TO BE COPIED OR TRANSFERRED