



ELECTRONICS, INC.
 44 FARRAND STREET
 BLOOMFIELD, NJ 07003
 (973) 748-5089
<http://www.nteinc.com>

NTE30106 LED – Dual Color 5mm Super Fresh Red/Super Yellow Green

Features:

- RoHS Compliant
- Water Clear
- Common Cathode Pin Configuration

Absolute Maximum Ratings: ($T_A = +25^\circ\text{C}$ unless otherwise specified)

Power Dissipation, P_d	100mW
Continuous Forward Current, I_F	20mA
Derate Linear from 30°C	0.8mA/ $^\circ\text{C}$
Peak Forward Current (Note 1), I_{FM}	100mA
Reverse Voltage, V_R	5V
Operating Temperature Range, T_{opr}	-25°C to $+80^\circ\text{C}$
Storage Temperature Range, T_{stg}	-40°C to $+80^\circ\text{C}$
DIP Soldering Temperature (During Soldering, 1.6mm from body, 5sec max), T_L	$+260^\circ\text{C}$

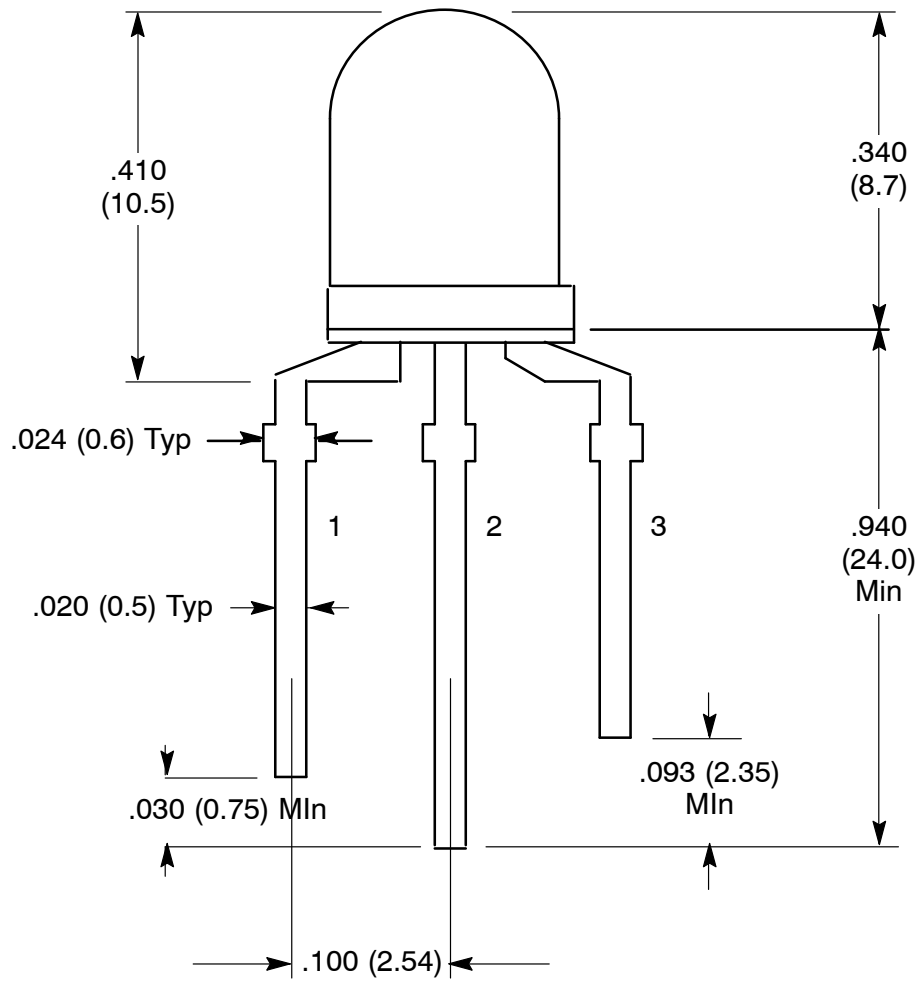
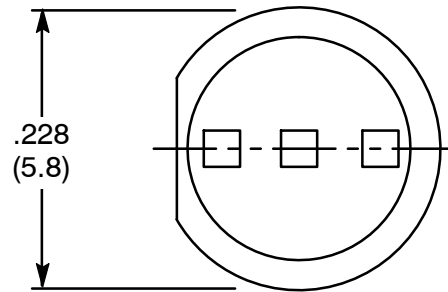
Note 1. Pulse Width $\leq 100\mu\text{s}$, Duty Cycle $\leq 1\%$

Electro-Optical Characteristics: ($T_A = +25^\circ\text{C}$ unless otherwise specified)

Parameter	Symbol	Test Conditions	Min	Typ	Max	Unit
View Angle of Half Power	$2\theta_{1/2}$		–	20	–	deg
Forward Voltage High Efficiency Red	V_F	$I_F = 20\text{mA}$	1.8	2.0	2.2	V
Yellow Green			2.0	–	2.2	V
Luminous Intensity High Efficiency Red	I_v	$I_F = 20\text{mA}$	1000	–	1500	mcd
Yellow Green			400	600	800	mcd
Peak Emission Wavelength High Efficiency Red	λ_p	$I_F = 20\text{mA}$	620	625	630	nm
Yellow Green			565	570	575	nm

Rev 11-20





- 1. Red +
- 2. Common Cathode Lead -
- 3. Yellow Green +