

**NO:** REL-134  
**DATE:** January 2013

**PRODUCT:** G6K(U)-2G(-Y) Low Signal Relay  
**TYPE:** Product Code Change Notice

## Product Code Change Notice: Surface-Mounting Relay G6K(U)-2G(-Y)

**Effective Date:**

Effective as of our production in April, 2013  
Product Code Change :Effective as of **April 1, 2013**

**Effected Model:**

Type **G6K(U)-2G(-Y)**  
< Refer to the " [ Details of Effected model ] " >

**Reason for change:**

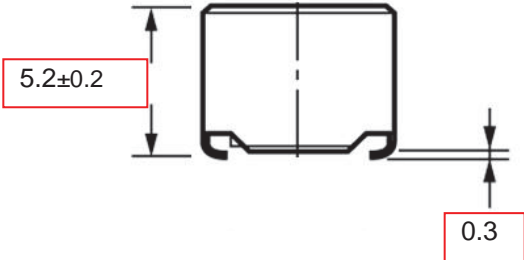
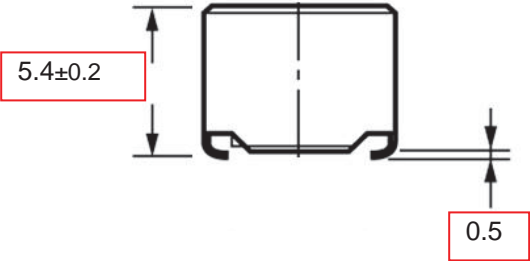
For Pre-solder of Terminal



**Change of product specification:**

Yes, Necessary

**Changes**

Before the change	After the change
<p><b>Overall size</b></p> <p>Type G6K(U)-2G(-Y)</p>  <p>Note: Each value has a tolerance of ± 0.3 mm.</p>	<p><b>Overall size</b></p> <p>Type G6K(U)-2G(-Y)</p>  <p>Note: Each value has a tolerance of ± 0.3 mm.</p>

**Details of Effected model:****※Orders for “Old Product Code” ONLY accepted until March 31, 2013!!**

<b>Models</b>	<b>Old Product Code</b>	<b>New Product Code</b>
Type G6KU-2G-Y DC3	G6K 1100M	G6K 1415G
Type G6KU-2G-Y DC4.5	G6K 1101H	G6K 1416E
Type G6KU-2G-Y DC5	G6K 1102F	G6K 1417C
Type G6KU-2G-Y DC6	G6K 1103D	G6K 1418A
Type G6KU-2G-Y DC9	G6K 1104B	G6K 1419M
Type G6KU-2G-Y DC12	G6K 1105M	G6K 1420C
Type G6KU-2G-Y DC24	G6K 1106R	G6K 1421A
Type G6KU-2G-Y-TR DC3	G6K 1121B	G6K 1422M
Type G6KU-2G-Y-TR DC4.5	G6K 1122M	G6K 1423H
Type G6KU-2G-Y-TR DC5	G6K 1123R	G6K 1424F
Type G6KU-2G-Y-TR DC6	G6K 1124G	G6K 1425D
Type G6KU-2G-Y-TR DC9	G6K 1125E	G6K 1426B
Type G6KU-2G-Y-TR DC12	G6K 1126C	G6K 1427M
Type G6KU-2G-Y-TR DC24	G6K 1127A	G6K 1428R
Type G6K-2G-Y DC3	G6K 1163H	G6K 1443B
Type G6K-2G-Y DC4.5	G6K 1164F	G6K 1444M
Type G6K-2G-Y DC5	G6K 1165D	G6K 1445R
Type G6K-2G-Y DC6	G6K 1166B	G6K 1446G
Type G6K-2G-Y DC9	G6K 1167M	G6K 1447E
Type G6K-2G-Y DC12	G6K 1168R	G6K 1448C
Type G6K-2G-Y DC24	G6K 1169G	G6K 1449A
Type G6K-2G-Y-TR DC3	G6K 1177H	G6K 1450E
Type G6K-2G-Y-TR DC4.5	G6K 1178F	G6K 1451C
Type G6K-2G-Y-TR DC5	G6K 1179D	G6K 1452A
Type G6K-2G-Y-TR DC6	G6K 1180H	G6K 1453M
Type G6K-2G-Y-TR DC9	G6K 1181F	G6K 1454H
Type G6K-2G-Y-TR DC12	G6K 1182D	G6K 1455F
Type G6K-2G-Y-TR DC24	G6K 1183B	G6K 1456D
Type G6K-2G DC3	G6K 1135B	G6K 1429G
Type G6K-2G DC4.5	G6K 1136M	G6K 1430M
Type G6K-2G DC5	G6K 1137R	G6K 1431R
Type G6K-2G DC6	G6K 1138G	G6K 1432G
Type G6K-2G DC9	G6K 1139E	G6K 1433E
Type G6K-2G DC12	G6K 1140R	G6K 1434C
Type G6K-2G DC24	G6K 1141G	G6K 1435A
Type G6K-2G-TR DC3	G6K 1149B	G6K 1436M
Type G6K-2G-TR DC4.5	G6K 1150F	G6K 1437H
Type G6K-2G-TR DC5	G6K 1151D	G6K 1438F
Type G6K-2G-TR DC6	G6K 1152B	G6K 1439D
Type G6K-2G-TR DC9	G6K 1153M	G6K 1440H
Type G6K-2G-TR DC12	G6K 1154R	G6K 1441F
Type G6K-2G-TR DC24	G6K 1155G	G6K 1442D
Type G6K-2G-TR2 DC5	G6K 1287A	G6K 1466A

**Please communicate and plan/prepare properly with your Customers!!****SUBMIT forecasts/orders to the factory ASAP!!**