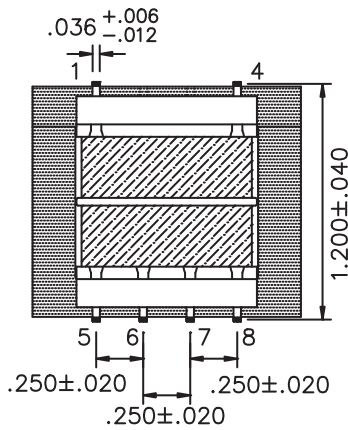
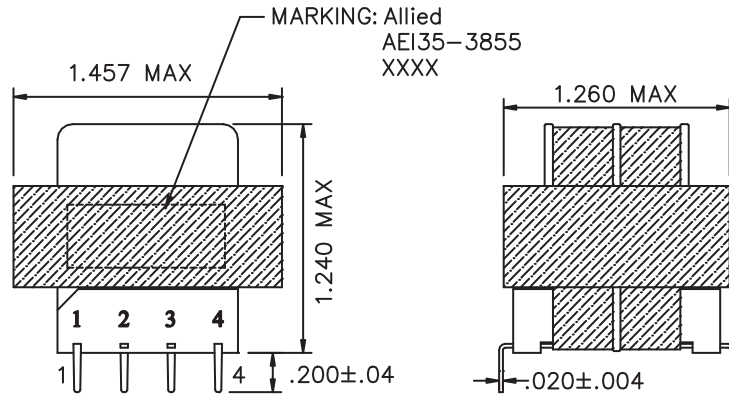




- 24VAC Primary Winding
- 2.4VA
- Three Flange Bobbin Design
- 2500VAC HiPot Primary to Secondaries
- Meets Class B Insulation requirements
- Parallel or Series Mode

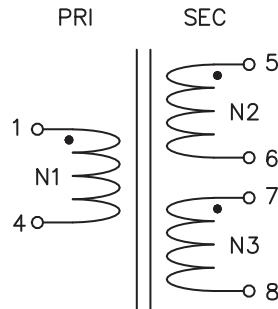
MECHANICAL

DIMENSION:UNIT: inch



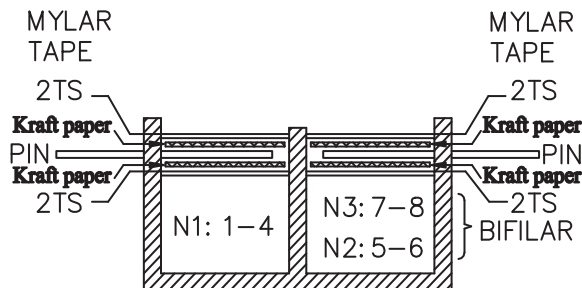
BOTTOM VIEW

SCHMATIC



• START

WINDING:



NOTE:
1.PIN 2,3 CUT OFF.
2.CORE FIX TAPE 2TS.



ELECTRICAL SPECIFICATIONS

1. PRIMARY RATED VOLTAGE :

1-4 : AC 24V

2. RATED LINE FREQUENCY : 50/60 Hz

3. SECONDARY RATED VOLTAGE AND REGULATION :

	LEADS NO.	LOAD VOLTAGE
PARALLEL	5 - - 6 (SHORTED 5+7 & SHORTED 6+8)	12.0 VAC±5% @200mA
SERIES	5 - - 8 (SHORTED 6+7)	24.0 VAC±5% @100mA

4. EXCITING CURRENT : (SEC NO LOAD)

INPUT PRIMARY : 1-4 : AC 24V 60Hz, 90 mA MAXIMUM.

INPUT PRIMARY : 1-4 : AC 24V 50Hz, 210 mA MAXIMUM.

5. HI - POT TEST :

PRI TO SEC : AC 2500V 3mA FOR 2 SEC.

PRI TO CORE : AC 1000V 3mA FOR 2 SEC.

SEC TO CORE : AC 1000V 3mA FOR 2 SEC.

6. INSULATION TEST :

PRI TO SEC & COIL TO CORE : 100 MOHM MIN / DC 500V