

Order Code	L (mm)	Tlo (mm)	Tli (mm)	Thread Size	Wrench Size
971050244	5	5,0	3,0	M2.0	SW 4
971070244	7	8,0	3,0	M2.0	SW 4
971080244	8	6,0	6,0	M2.0	SW 4
971100244	10	5,0	5,0	M2.0	SW 4
971130244	13	5,0	6,0	M2.0	SW 4
971140244	14	5,0	6,0	M2.0	SW 4
971150244	15	6,0	6,0	M2.0	SW 4
971200244	20	5,0	7,0	M2.0	SW 4
971250244	25	5,0	7,0	M2.0	SW 4
971300244	30	5,0	6,0	M2.0	SW 4
971050154	5	6,0	3,0	M2.5	SW 5
971060154	6	6,0	2,5	M2.5	SW 5
971070154	7	6,0	4,0	M2.5	SW 5
971080154	8	6,0	5,0	M2.5	SW 5
971090154	9	6,0	5,0	M2.5	SW 5
971100154	10	6,0	5,0	M2.5	SW 5
971110154	11	6,0	6,0	M2.5	SW 5
971120154	12	6,0	7,0	M2.5	SW 5
971150154	15	6,0	6,0	M2.5	SW 5
971200154	20	6,0	10,0	M2.5	SW 5
971250154	25	6,0	10,0	M2.5	SW 5
971300154	30	6,0	10,0	M2.5	SW 5
971050354	5	8,0	3,0	M3.0	SW 5
971060354	6	8,0	3,0	M3.0	SW 5
971070354	7	8,0	4,0	M3.0	SW 5
971080354	8	8,0	5,0	M3.0	SW 5
971100354	10	8,0	5,0	M3.0	SW 5
971110354	11	8,0	5,0	M3.0	SW 5
971120354	12	8,0	8,0	M3.0	SW 5
971140354	14	8,0	7,0	M3.0	SW 5
971150354	15	8,0	8,0	M3.0	SW 5
971160354	16	8,0	10,0	M3.0	SW 5
971180354	18	8,0	8,0	M3.0	SW 5
971200354	20	8,0	10,0	M3.0	SW 5
971250354	25	8,0	10,0	M3.0	SW 5
971270354	27	8,0	10,0	M3.0	SW 5
971280354	28	10,0	10,0	M3.0	SW 5
971300354	30	10,0	10,0	M3.0	SW 5
971350354	35	8,0	10,0	M3.0	SW 5

Surface coating: nickel-plated

Würth Elektronik eiSos GmbH & Co. KG
EMC & Inductive Solutions

Max-Eyth-Str. 1
74638 Waldenburg
Germany
Tel. +49 79 42 945 - 0

www.we-online.com
eiSos@we-online.com



CREATED
D. Fandrey

CHECKED
S. Klingler

PROJECTION METHOD SCALE 5 : 1

DESCRIPTION
AsSBRIE
Brass Spacer Stud Metric
Thread int./ext.

MATERIAL
CuZn39Pb3

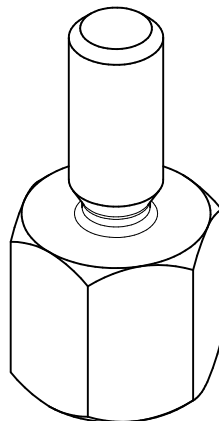
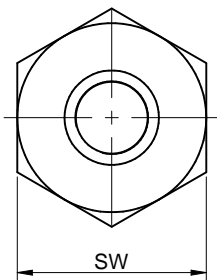
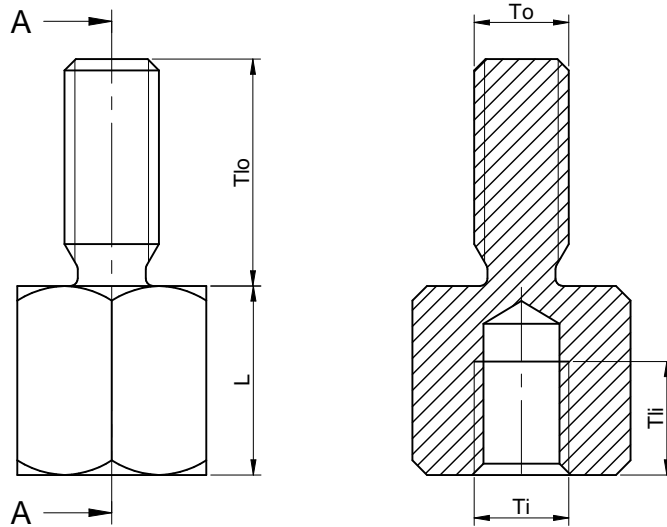
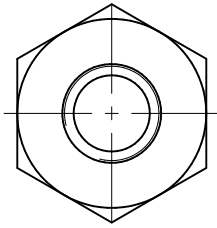
GENERAL TOLERANCE
DIN ISO 2768 T1m

ORDER CODE
971xxxx4

WEIGHT STATUS
Released

REV DATE
1.0 2014-10-01

PAGE
DE 1 / 1



Order Code	L (mm)	Tlo (mm)	Tli (mm)	Thread Size	Wrench Size
971050324	5	6,0	2,5	M3.0	SW 5.5
971060324	6	6,0	3,0	M3.0	SW 5.5
971070324	7	8,0	4,0	M3.0	SW 5.5
971080324	8	6,0	5,0	M3.0	SW 5.5
971090324	9	8,0	5,0	M3.0	SW 5.5
971100324	10	6,0	5,0	M3.0	SW 5.5
971120324	12	6,0	6,0	M3.0	SW 5.5
971130324	13	8,0	8,0	M3.0	SW 5.5
971140324	14	8,0	8,0	M3.0	SW 5.5
971150324	15	6,0	8,0	M3.0	SW 5.5
971160324	16	6,0	10,0	M3.0	SW 5.5
971170324	17	8,0	10,0	M3.0	SW 5.5
971180324	18	8,0	10,0	M3.0	SW 5.5
971190324	19	6,0	10,0	M3.0	SW 5.5
971200324	20	8,0	10,0	M3.0	SW 5.5
971210324	21	8,0	10,0	M3.0	SW 5.5
971220324	22	8,0	10,0	M3.0	SW 5.5
971250324	25	8,0	10,0	M3.0	SW 5.5
971280324	28	6,0	10,0	M3.0	SW 5.5
971290324	29	8,0	10,0	M3.0	SW 5.5
971300324	30	6,0	10,0	M3.0	SW 5.5
971350324	35	6,0	10,0	M3.0	SW 5.5
971400324	40	6,0	10,0	M3.0	SW 5.5
971450324	45	8,0	6,0	M3.0	SW 5.5
971500324	50	6,0	10,0	M3.0	SW 5.5
971600324	60	6,0	10,0	M3.0	SW 5.5
971050474	5	8,0	3,0	M4.0	SW 7
971060474	6	8,0	3,0	M4.0	SW 7
971070474	7	8,0	3,0	M4.0	SW 7
971075474	8	4,5	5,0	M4.0	SW 7
971080474	8	8,0	4,0	M4.0	SW 7
971100474	10	8,0	5,0	M4.0	SW 7
971110474	11	4,6	6,0	M4.0	SW 7
971120474	12	8,0	8,0	M4.0	SW 7
971150474	15	8,0	10,0	M4.0	SW 7
971160474	16	5,0	10,0	M4.0	SW 7
971180474	18	8,0	10,0	M4.0	SW 7
971200474	20	10,0	10,0	M4.0	SW 7
971230474	23	8,0	10,0	M4.0	SW 7
971250474	25	10,0	10,0	M4.0	SW 7
971300474	30	10,0	10,0	M4.0	SW 7
971350474	35	8,0	9,0	M4.0	SW 7
971400474	40	10,0	10,0	M4.0	SW 7
971100584	10	8,0	6,0	M5.0	SW 8
971120584	12	7,0	8,0	M5.0	SW 8
971150584	15	8,0	10,0	M5.0	SW 8
971200584	20	8,0	10,0	M5.0	SW 8
971250584	25	8,0	10,0	M5.0	SW 8

Surface coating: nickel-plated

Würth Elektronik eiSos GmbH & Co. KG
EMC & Inductive Solutions

Max-Eyth-Str. 1
74638 Waldenburg
Germany
Tel. +49 79 42 945 - 0

www.we-online.com
eiSos@we-online.com



CREATED
D. Fandrey

CHECKED
S. Klingler

PROJECTION METHOD SCALE 5 : 1

DESCRIPTION
AsSBRIE
Brass Spacer Stud Metric
Thread int./ext.

MATERIAL
CuZn39Pb3
GENERAL TOLERANCE
DIN ISO 2768 T1m
ORDER CODE
971xxxxx4

WEIGHT STATUS
Released

REV DATE PAGE
1.0 2014-10-01 DE 1 / 1