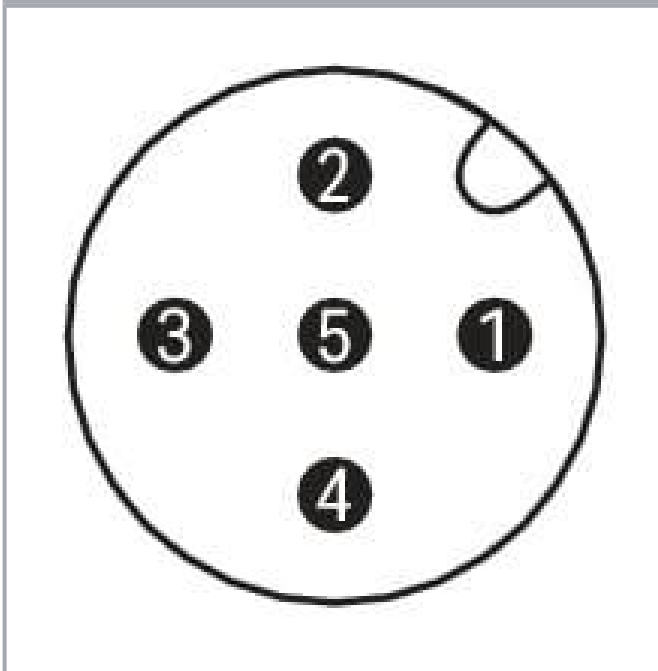
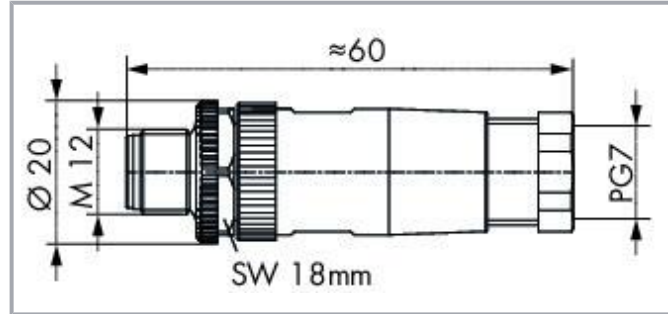


Data sheet | Item number: 756-9202/050-000

Fitted pluggable connector; 5-pole; M12 plug, straight, A-coded; Spring

[www.wago.com/756-9202/050-000](http://www.wago.com/756-9202/050-000)



Subject to changes. Please also observe the further product documentation!

WAGO GmbH & Co. KG  
Hansastr. 27  
32423 Minden  
Phone: +49571 887-0 | Fax: +49571 887-169  
Email: [info.de@wago.com](mailto:info.de@wago.com) | Web: [www.wago.com](http://www.wago.com)

Do you have any questions about our products?  
We are always happy to take your call at +49 (571) 887-44222.



## Data

### Technical data

Connection type	M12 plug
Pole number	5
Cable connection direction to mating direction	0°
Connector interface coding (cable/adaptor) 1 1	A-coded
Contact resistance	≤3 mΩ

### Connection data

Connection type 1	Spring clamp technology
Solid conductor	0.14 ... 0.5 mm <sup>2</sup> / 20 AWG

### Mechanical Data

Connectable sheathed cable diameter	4 ... 6 mm
Housing material	PA
Contact material	CuZn
Contact plating	Gold
Dichtungsmaterial	Seal: Neoprene
Mating cycles (max.)	100
Weight	26 g

### Environmental requirements

Ambient temperature (operation)	-25 ... +85 °C
Protection type	IP67
Note on protection type	in locked position
Pollution degree	3

### Commercial data

eCl@ss 10.0	27-24-26-92
eCl@ss 9.0	27-24-26-92
ETIM 8.0	EC002584
ETIM 7.0	EC002584
PU (SPU)	5 pcs
Packaging type	box
Country of origin	DE
GTIN	4044918977470

Subject to changes. Please also observe the further product documentation!



Customs tariff number	85366990990
-----------------------	-------------

## Environmental Product Compliance

CAS-No.	96-45-7
REACH Candidate List Substance	Ethylene thiourea
RoHS Compliance Status	Compliant, No Exemption
SCIP notification number (Austria)	1584b16d-5594-44da-ae11-b841654a6b16
SCIP notification number (Belgium)	dc3fec86-5e34-464f-9cd7-7aa70e804743
SCIP notification number (Bulgaria)	333e465b-c1a1-478f-969a-56ae393aa34d
SCIP notification number (Czech Republic)	a7af52c3-a071-4c1e-9199-1c6dd09ae205
SCIP notification number (Denmark)	6ac9b4d7-969f-47ea-bd59-26445023a676
SCIP notification number (Finland)	b12ad75a-00ea-4adc-97e5-6f7ab3893b79
SCIP notification number (France)	6b672191-6f8e-4947-8c61-47229889c2a1
SCIP notification number (Germany)	9adc2780-5374-4b9c-81c1-8a95af7b8ad3
SCIP notification number (Hungary)	ddcbb58f-b533-4160-8adb-632a17c0c4e8
SCIP notification number (Italy)	89d7d4bf-b79b-49df-870b-4b184bfde51f
SCIP notification number (Netherlands)	65881d0b-23f1-4ace-9330-03513620cc58
SCIP notification number (Poland)	f34862ef-4c35-4075-acf0-007f8c5713d9
SCIP notification number (Romania)	76ec696e-c4c7-4a97-84e1-ea879b47f28f
SCIP notification number (Sweden)	2e95a919-c4b5-4688-a265-524d3952aa0a

## Downloads

### Documentation

#### Bid Text

756-9202/050-000	2019 Feb 19	xml	Download
X81 - Datei		2.8 kB	

756-9202/050-000	2017 Sep 20	doc	Download
doc - Datei		24.6 kB	

#### System Description

IP67 Cables and Pluggable Connectors	pdf	Download
	161.6 kB	

## CAD/CAE-Data

### CAE data

Subject to changes. Please also observe the further product documentation!

WAGO GmbH & Co. KG  
Hansastr. 27  
32423 Minden  
Phone: +49571 887-0 | Fax: +49571 887-169  
Email: [info.de@wago.com](mailto:info.de@wago.com) | Web: [www.wago.com](http://www.wago.com)

Do you have any questions about our products?  
We are always happy to take your call at +49 (571) 887-44222.



---

WSCAD Universe 756-9202/050-000

[URL](#)

[Download](#)

---

WSCAD Universe 756-9202/050-000

[URL](#)

[Download](#)

---

## Environmental Product Compliance

### Compliance Search

Environmental Product Compliance 756-9202/050-000

[URL](#)

[Download](#)

Fitted pluggable connector; 5-pole; M12 plug, straight, A-coded; Spring

---

## Installation Notes

Subject to changes. Please also observe the further product documentation!

---

WAGO GmbH & Co. KG

Hansastr. 27

32423 Minden

Phone: +49571 887-0 | Fax: +49571 887-169

Email: [info.de@wago.com](mailto:info.de@wago.com) | Web: [www.wago.com](http://www.wago.com)

Do you have any questions about our products?

We are always happy to take your call at +49 (571) 887-44222.