

THIS DRAWING IS UNPUBLISHED. RELEASED FOR PUBLICATION
 © COPYRIGHT - BY TYCO ELECTRONICS CORPORATION. ALL INTERNATIONAL RIGHTS RESERVED.

LOC	DIST	REVISIONS					
GP	00	P	LTR	DESCRIPTION	DATE	DWN	APVD
			B	REV PER ECO-09-006309	30MAR2009	RG	DO

1. PART NUMBER CHANGES AND/OR DESIGN CHANGES AFFECTING ITEM INTERCHANGEABILITY REQUIRE PRIOR TYCO ELECTRONICS APPROVAL AND AUTHORIZATION BY REVISION TO THIS DRAWING.

2. MATERIALS:

HOUSINGS: THERMOPLASTIC, GLASS REINFORCED,
 UL94V-0 FLAMMABILITY RATED, COLOR-BLACK.
 PIN CONTACTS: COPPER ALLOY
 RETENTION CLIPS: BERYLLIUM COPPER OR STAINLESS STEEL

3. FINISHES:

CONTACTS: SILVER PLATE 5.08um MIN. THK. OVER NICKEL
 1.02um MI. THK.

4. PIN CONTACTS INSTALLED IN THE CONNECTOR ASSEMBLY. USED FOR INFORMATION ONLY.

5. MOUNTING HARDWARE: SHOULDER SCREW REF. TYCO ELECTRONICS P/N 1650596-1 TO BE ORDERED SEPARATELY. SHOWN FOR REFERENCE ONLY.

6. REFERENCE DIMENSION (X.XX) IS WITHOUT TOLERANCE AND

7. ITEM PROVIDED TO THIS SPECIFICATION TO BE PERMANENTLY IDENTIFIED PER THE FOLLOWING IDENTIFIER:

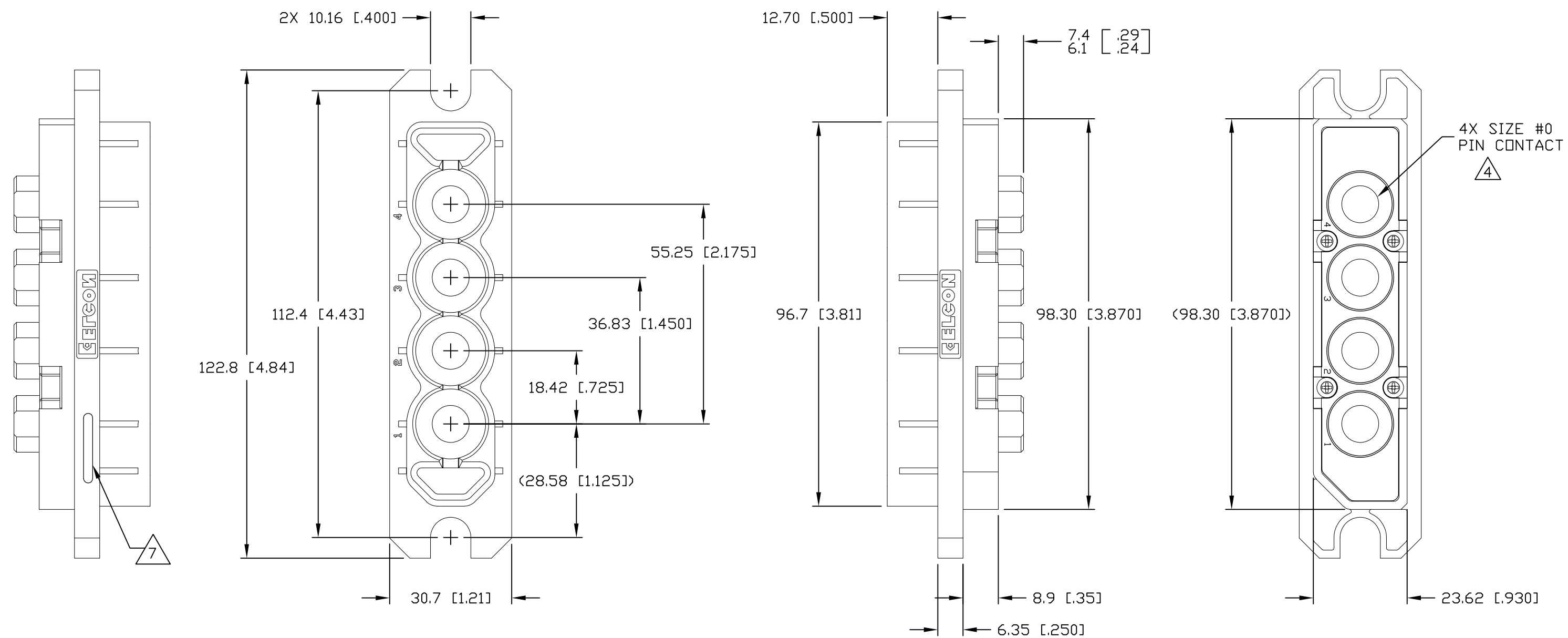
TYCO ELECTRONICS P/N YEAR WEEK
 XXXXXXX-X DATE CODE (e.g. 0225)
 XXXX

TABLE - PIN CONNECTOR PN 6643740-1			
PART NUMBER	DESCRIPTION	POSITION	QTY
1648684-1	HOUSING, PIN, FRONT	N/A	1
1648685-1	HOUSING, PIN, REAR INSERT	N/A	1
1650486-1	RETENTION CLIP, SIZE #0	1-4	4
1766841-1	SCREW, SELF TAPPING, ø2.5 X 10.00mm LONG	N/A	4
1766275-1	CONTACT, PIN, #0, M6X1 INT THD	1-4	4

THIS DRAWING IS A CONTROLLED DOCUMENT.		DWN 30MAR2009 ALIM/GRZYBOWSKI	Tyco Electronics Corporation Harrisburg, PA 17105-3608	
DIMENSIONS: mm		CHK D.ORRIS	NAME CONNECTOR, PIN IN-LINE QUAD DRAQWE	
TOLERANCES UNLESS OTHERWISE SPECIFIED:		APVD 30MAR2009 CHAU/PERCHERKE	PRODUCT SPEC	
0 PLC ± -		APPLICATION SPEC		
1 PLC ± .5		SIZE		
2 PLC ± .25		CAGE CODE		
3 PLC ± -		DRAWING NO		
4 PLC ± -		RESTRICTED TO		
ANGLES ± 5		A3 00779 C-6643740		
MATERIAL	FINISH	WEIGHT		SCALE
-	-	-		1:1
CUSTOMER DRAWING				SHEET 1 OF 4
				REV B

THIS DRAWING IS UNPUBLISHED. RELEASED FOR PUBLICATION
 © COPYRIGHT - BY TYCO ELECTRONICS CORPORATION. ALL INTERNATIONAL RIGHTS RESERVED.

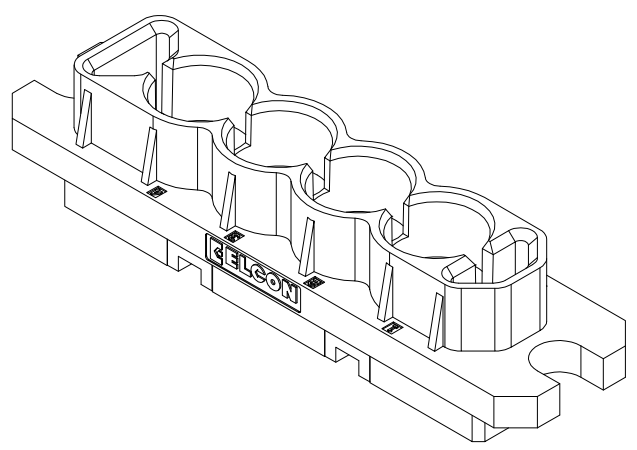
LOC	DIST	REVISIONS					
GP	00	P	LTR	DESCRIPTION	DATE	DWN	APVD
		-		SEE SHEET 1	-	-	-



4X SIZE #0
PIN CONTACT

FRONT VIEW

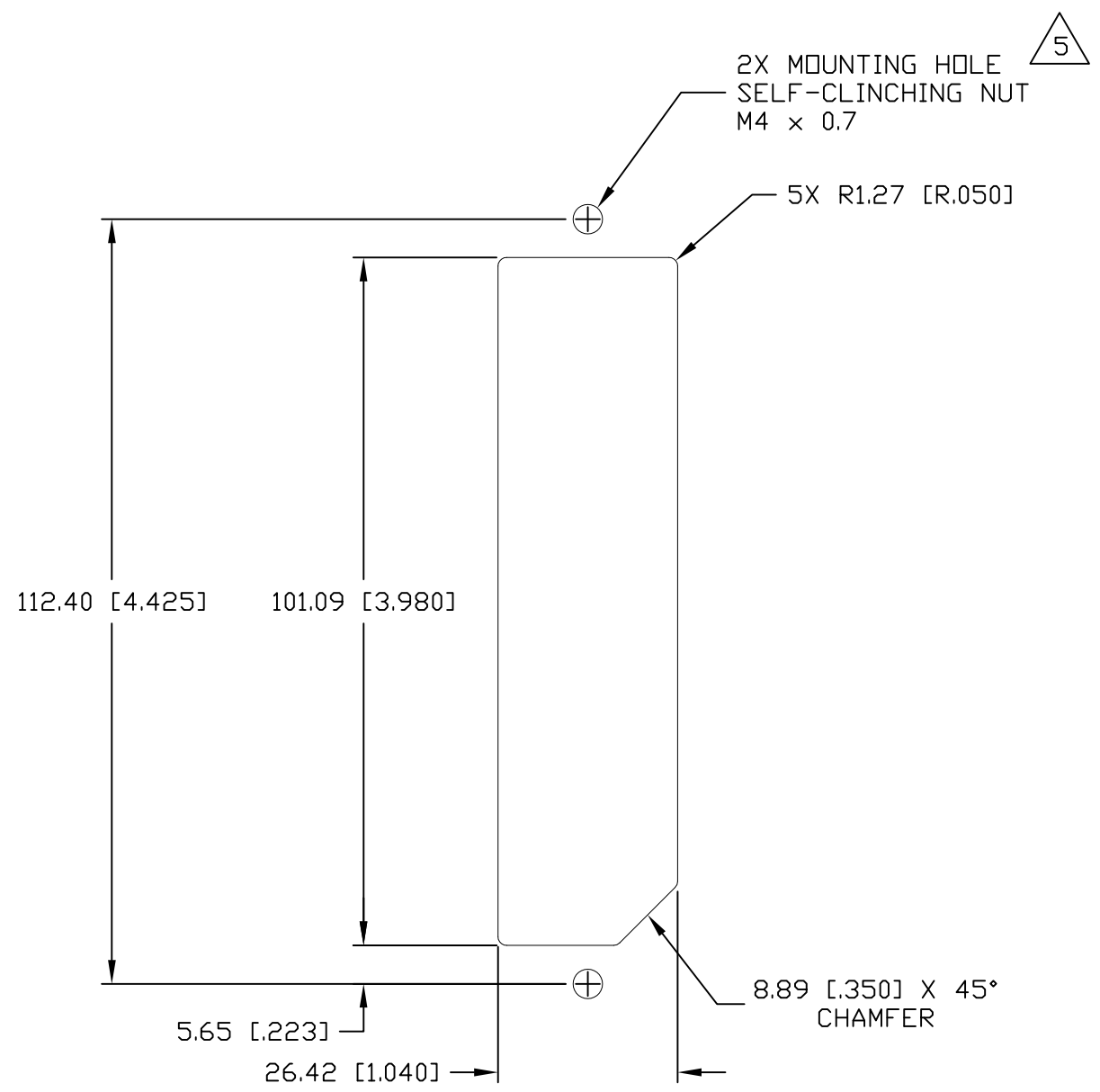
REAR VIEW



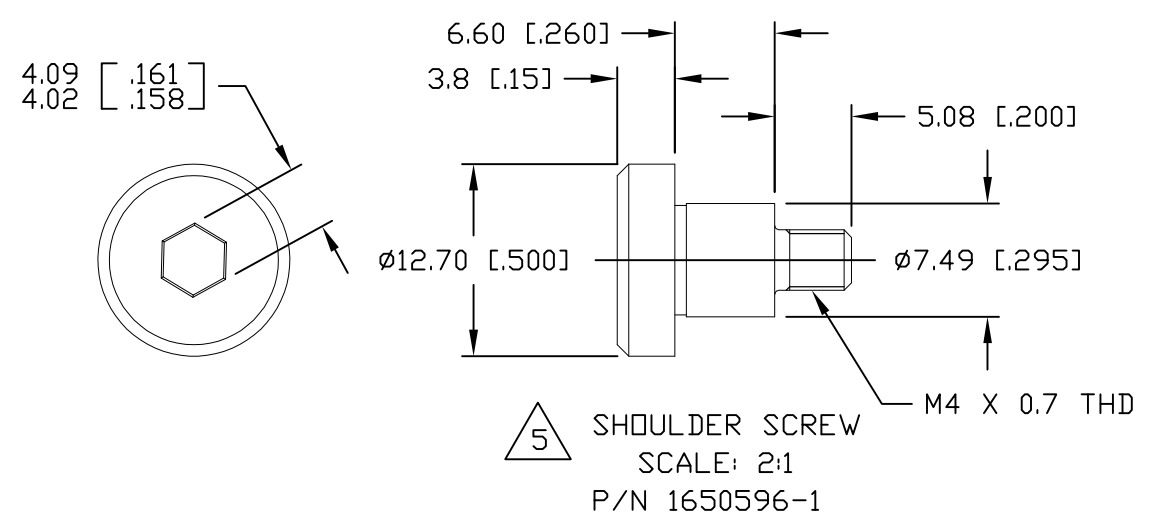
THIS DRAWING IS A CONTROLLED DOCUMENT.		DWN	30MAR2009	Tyco Electronics Corporation	
		CHK	-	Harrisburg, PA 17105-3608	
		APVD	30MAR2009	NAME	
		PRODUCT SPEC	CHAU/PERCHERKE	CONNECTOR, PIN IN-LINE QUAD DRAQWE	
		APPLICATION SPEC	-	-	
DIMENSIONS: mm		TOLERANCES UNLESS OTHERWISE SPECIFIED:	0 PLC	± -	SIZE
			1 PLC	± .5	CAGE CODE
			2 PLC	± .25	DRAWING NO
			3 PLC	± -	RESTRICTED TO
			4 PLC	± -	A3
			ANGLES	± 5	00779
MATERIAL		FINISH	-	-	C-6643740
					SCALE
					1:1
					SHEET
					2 OF 4
					REV
					B
					CUSTOMER DRAWING

THIS DRAWING IS UNPUBLISHED. RELEASED FOR PUBLICATION
 © COPYRIGHT BY TYCO ELECTRONICS CORPORATION. ALL INTERNATIONAL RIGHTS RESERVED.

LOC	DIST	REVISIONS			
P	LTR	DESCRIPTION	DATE	DWN	APVD
GP	00	-	SEE SHEET 1	-	-



SUGGESTED PANEL CUTOUT
 VIEWED FROM CONNECTOR MOUNTING SIDE



THIS DRAWING IS A CONTROLLED DOCUMENT.		DWN 30MAR2009 ALIM/GRZYBOWSKI	Tyco Electronics Corporation Harrisburg, PA 17105-3608													
DIMENSIONS: mm		CHK D.ORRIS	NAME													
TOLERANCES UNLESS OTHERWISE SPECIFIED:		APVD 30MAR2009 CHAU/PERCHERKE	CONNECTOR, PIN IN-LINE QUAD DRAQWE													
<table border="1"> <tr><td>0 PLC</td><td>± -</td></tr> <tr><td>1 PLC</td><td>± .5</td></tr> <tr><td>2 PLC</td><td>± .25</td></tr> <tr><td>3 PLC</td><td>± -</td></tr> <tr><td>4 PLC</td><td>± -</td></tr> <tr><td>ANGLES</td><td>± 5</td></tr> </table>		0 PLC	± -	1 PLC	± .5	2 PLC	± .25	3 PLC	± -	4 PLC	± -	ANGLES	± 5	PRODUCT SPEC -	SIZE	CAGE CODE
0 PLC	± -															
1 PLC	± .5															
2 PLC	± .25															
3 PLC	± -															
4 PLC	± -															
ANGLES	± 5															
MATERIAL -	FINISH -	APPLICATION SPEC -	DRAWING NO A3 00779 C-6643740	RESTRICTED TO -												
CUSTOMER DRAWING			SCALE 1:1	SHEET 3 OF 4												
			REV B													

THIS DRAWING IS UNPUBLISHED.

RELEASED FOR PUBLICATION

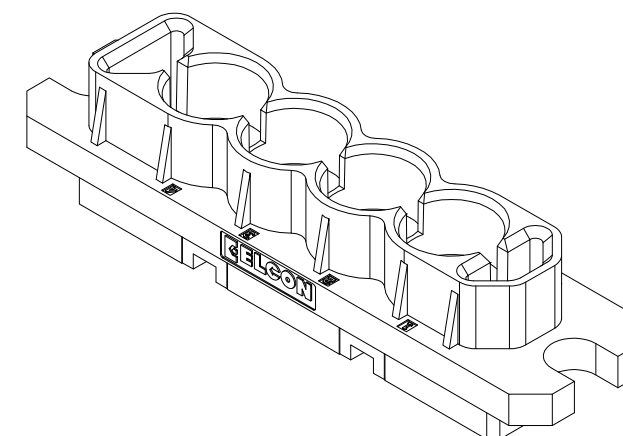
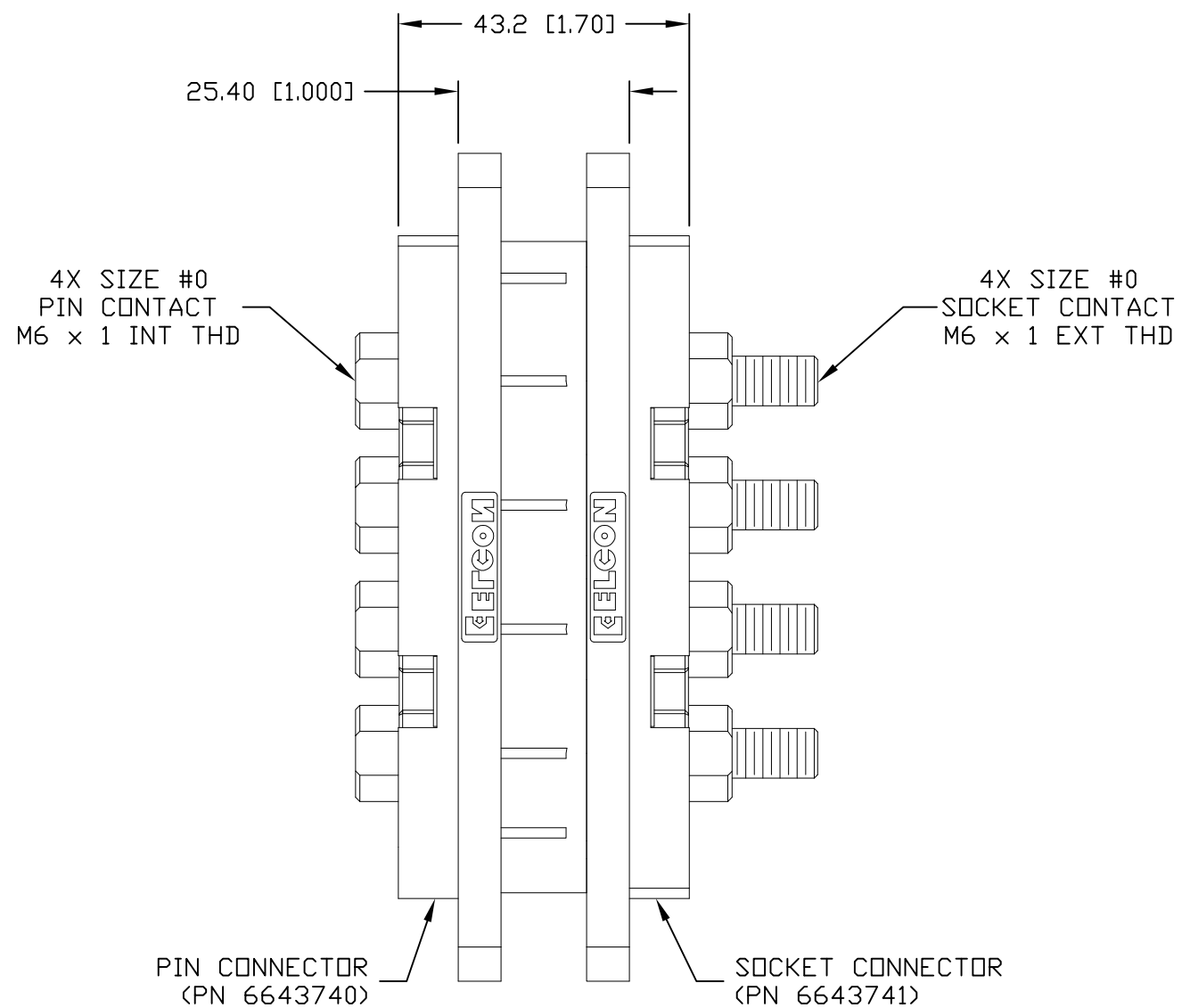
© COPYRIGHT - BY TYCO ELECTRONICS CORPORATION.

ALL INTERNATIONAL RIGHTS RESERVED.

LOC GP DIST 00

REVISIONS

P	LTR	DESCRIPTION	DATE	DWN	APVD
-	-	SEE SHEET 1	-	-	-



MATED CONDITION

THIS DRAWING IS A CONTROLLED DOCUMENT.		DWN 30MAR2009 ALIM/GRZYBOWSKI	Tyco Electronics Corporation Harrisburg, PA 17105-3608													
DIMENSIONS: mm		CHK D.ORRIS	NAME													
TOLERANCES UNLESS OTHERWISE SPECIFIED:		APVD 30MAR2009 CHAU/PERCHERKE	CONNECTOR, PIN IN-LINE QUAD DRAQWE													
<table border="1"> <tr><td>0 PLC</td><td>± -</td></tr> <tr><td>1 PLC</td><td>± .5</td></tr> <tr><td>2 PLC</td><td>± .25</td></tr> <tr><td>3 PLC</td><td>± -</td></tr> <tr><td>4 PLC</td><td>± -</td></tr> <tr><td>ANGLES</td><td>± 5</td></tr> </table>		0 PLC	± -	1 PLC	± .5	2 PLC	± .25	3 PLC	± -	4 PLC	± -	ANGLES	± 5	PRODUCT SPEC -	SIZE	CAGE CODE
0 PLC	± -															
1 PLC	± .5															
2 PLC	± .25															
3 PLC	± -															
4 PLC	± -															
ANGLES	± 5															
MATERIAL -	FINISH -	APPLICATION SPEC -	DRAWING NO A3 00779	RESTRICTED TO -												
CUSTOMER DRAWING			SCALE 1:1	SHEET 4 OF 4												
			REV B													