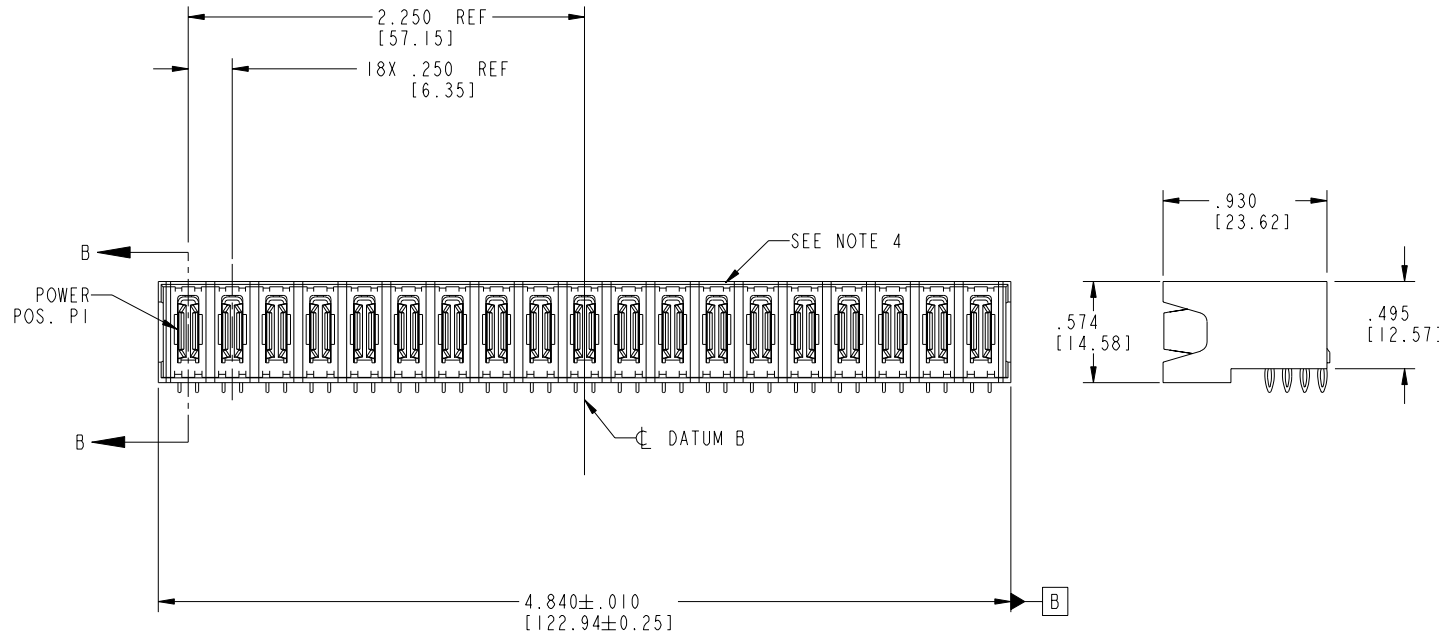


Tous droits strictement réservés. Reproduction ou communication a des tiers interdite sous quelque forme que ce soit sans autorisation écrite du propriétaire. Propriété de FCI. Droits de reproduction FCI.

All rights strictly reserved. Reproduction or issue to third parties in any form whatever is not permitted without written authority from the proprietor. Property of FCI. Copyright FCI.

PRODUCT NO. 51737-002-- NOTE ③	POWER																		
	P1	P2	P3	P4	P5	P6	P7	P8	P9	P10	P11	P12	P13	P14	P15	P16	P17	P18	P19
	PX	PX	PX	PX	PX	PX	PX	PX	PX	PX	PX	PX	PX	PX	PX	PX	PX	PX	PX



CODE	DIM "M" MATING LENGTH	CONTACT TYPE
PX	.092 [2.34]	POWER

mat'l code				SEE NOTE 2		tolerances unless otherwise specified		CUSTOMER		 www.fciconnect.com	
ltr	ecn no.	dr	date	linear		.XX±.01/0.X±0.3		COPY		projection	
A	DG05-0520	CS	12/12/05			.XXX±.005/0.XX±0.13		INCH/MM		title	
				angles		.XXX±.0020/0.XXX±0.051		1:1		19P RIGHT ANGLE PRESS FIT HEADER	
				dr	CS	12/12/05		product family		PwrBlade	
				enr	STEVEN WANG	12/12/05		size		213	
				chr	VICTOR LIN	12/12/05		dwg no		51737-002	
				appd	JOSEPH HSIA	12/12/05		sheet		1 of 4	
sheet index	revision sheet	A	A	A	A			cage code		22526	
		1	2	3	4					4	

Pro/E

PDM: Rev:A

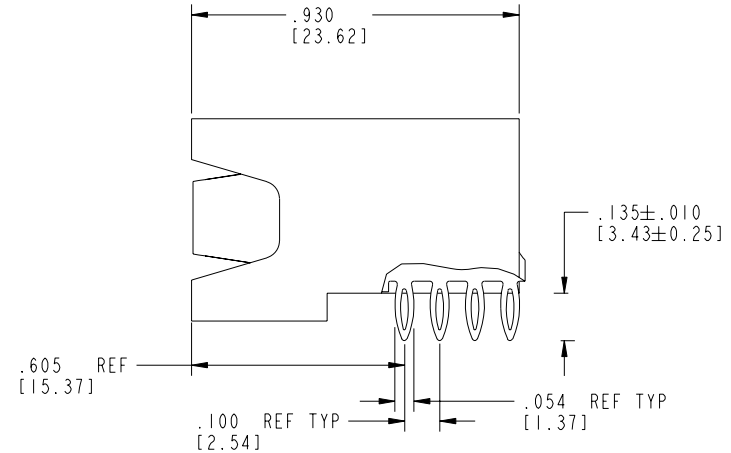
STATUS: Released

Printed: Dec 20, 2010

Tous droits strictement réservés. Reproduction ou communication a des tiers interdite sous quelque forme que ce soit sans autorisation écrite du propriétaire. Propriété de c FCI. Droits de reproduction FCI.

All rights strictly reserved. Reproduction or issue to third parties in any form whatever is not permitted without written authority from the proprietor. Property of FCI. Copyright FCI.

PRODUCT NUMBER
51737-002--
NOTE ③



BROKEN-OUT SECTION B-B
SCALE 2:1

A
FCI

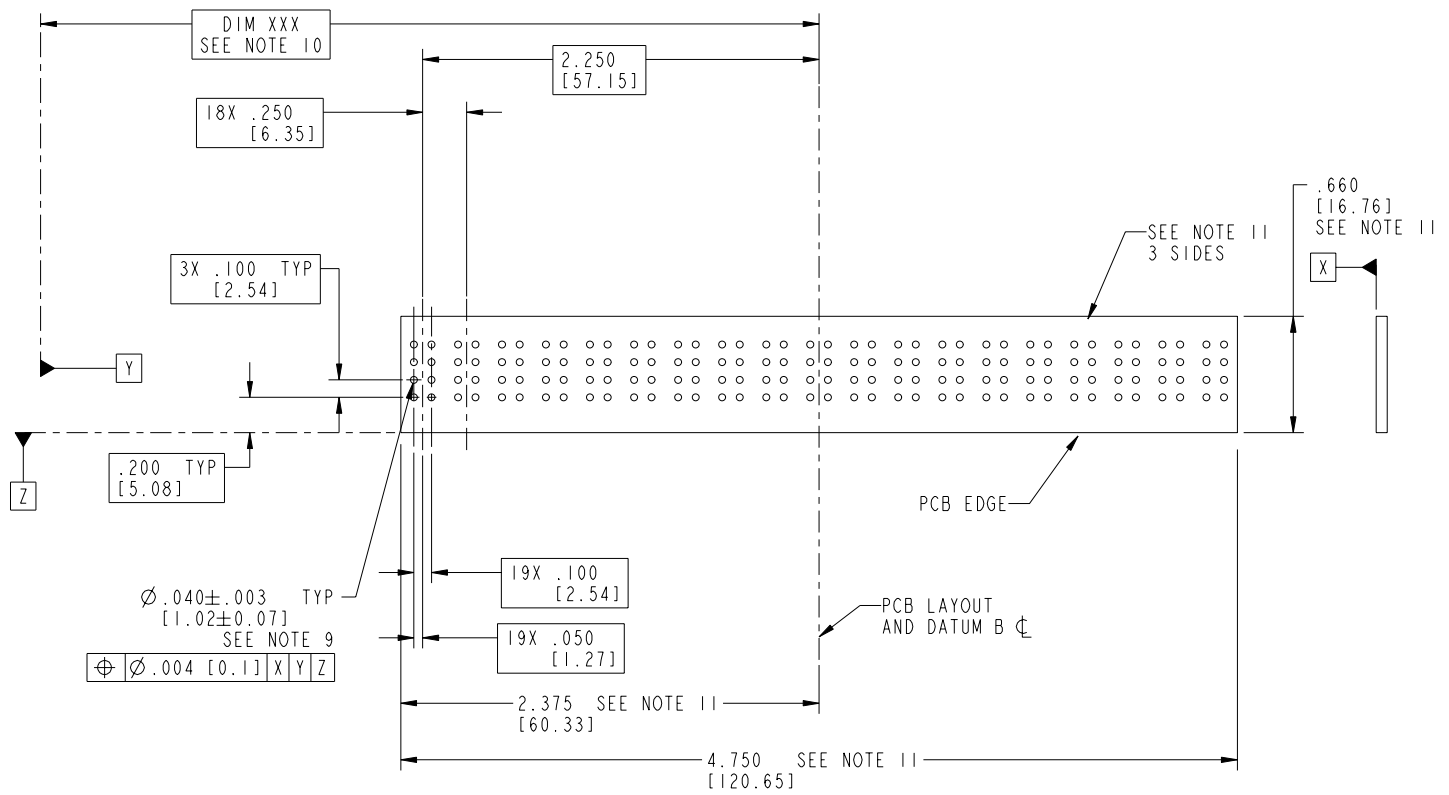
mat'l code		SEE NOTE 2		tolerances unless otherwise specified		CUSTOMER		A FCI		www.fciconnect.com	
ltr	ecn no.	dr	date	linear	.XX±.01/0.X±0.3	COPY		projection	title		
A					.XXX±.005/0.XX±0.13	INCH/MM			19P		
				angles	.XXX±.0020/0.XX±0.051	scale			RIGHT ANGLE PRESS FIT HEADER		
				dr	0°±2°	1:1		product family	PwrBlade	code	
				enr	CS 12/12/05			size	dwg no	213	
				chr	STEVEN WANG 12/12/05			A	51737-002	sheet	2 of 4
				appd	VICTOR LIN 12/12/05						
					JOSEPH HSIA 12/12/05						
sheet index	revision sheet										

cage code 22526

Tous droits strictement réservés. Reproduction ou communication à des tiers interdite sous quelque forme que ce soit sans autorisation écrite du propriétaire. Propriété de c FCI. Droits de reproduction FCI.

All rights strictly reserved. Reproduction or issue to third parties in any form whatever is not permitted without written authority from the proprietor. Property of FCI. Copyright FCI.

PRODUCT NUMBER
51737-002--
NOTE ③



RECOMMENDED PCB LAYOUT

mat'l code				SEE NOTE 2		tolerances unless otherwise specified		CUSTOMER		 www.fciconnect.com	
ltr	ecn no.	dr	date	linear	.XX±.01/0.X±0.3	COPY		projection	title		
A				angles	.XXX±.005/0.XX±0.13				19P		
				dr	.XXXX±.0020/0.XXX±0.051	CS			product family		code
				enr		STEVEN WANG		INCH/MM	PwrBlade		213
				chr		VICTOR LIN		scale	size		sheet
				appd		JOSEPH HSIA		1:1	A		3 of 4
sheet index	revision sheet								51737-002		

cage code 22526

Pro/E

PDM: Rev:A

STATUS: Released

Printed: Dec 20, 2010

Tous droits strictement réservés. Reproduction ou communication à des tiers interdite sous quelque forme que ce soit sans autorisation écrite du propriétaire. Propriété de c FCI. Droits de reproduction FCI.

All rights strictly reserved. Reproduction or issue to third parties in any form whatever is not permitted without written authority from the proprietor. Property of FCI. Copyright FCI.

PRODUCT NUMBER
51737-002--
NOTE ③

NOTES:

1. DIMENSIONS AND TOLERANCES ARE IN ACCORDANCE WITH ASME Y14.5M, 1994 UNLESS OTHERWISE SPECIFIED.

CONNECTOR NOTES:

②. HOUSING MATERIAL: UL 94 V-0 GLASS FILLED
HIGH-TEMP THERMOPLASTIC
POWER CONTACT MATERIAL: COPPER ALLOY
SIGNAL PIN MATERIAL: COPPER ALLOY

3. PLATING:
51737-002 Singal Pin:30u"/0.76um Au OVER 50u"/1.27um Ni ON THE WHOLE AREA.
Power Pin:30u"/0.76um Au OVER 50u"/1.27um Ni ON THE CONTACT AREA,
AND 50u"/1.27um-100u"/2.54um SnPb PLATING OVER 50u"/1.27um Ni ON THE TERMINATION SECTION.

51737-002LF Singal Pin:30u"/0.76um Au OVER 50u"/1.27um Ni ON THE WHOLE AREA.
Power Pin:30u"/0.76um Au OVER 50u"/1.27um Ni ON THE CONTACT AREA,
AND 50u"/1.27um-100u"/2.54um Sn PLATING OVER 50u"/1.27um Ni ON THE TERMINATION SECTION.

PART NUMBER 51737-002LF MEETS EUROPEAN UNION DIRECTIVE AND OTHER COUNTRY REGULATIONS AS DESCRIBED IN GS-22-008.

THE HOUSING WILL WITHSTAND EXPOSURE TO 260° PEAK TEMPERATURE FOR 10 SECONDS IN A WAVE SOLDER APPLICATION WITH A CIRCUIT BOARD.

④. MANUFACTURER'S NAME, P/N, AND DATE CODE TO APPEAR ON THIS SURFACE.

5. PRODUCT SPECIFICATION GS-12-149.
APPLICATION SPECIFICATION BUS-20-067.

6. PACKAGED IN TRAYS.

PCB NOTES:


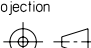
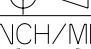
7. ALL HOLE DIAMETERS ARE FINISHED HOLE SIZE.

⑧. MOUNTING HOLES, WHERE APPLICABLE, ARE UNPLATED.

⑨. $\varnothing .0453 \pm .0010$ [1.151 \pm 0.025] DRILLED HOLES PLATED WITH
.0003 [0.008] MIN SnPb OVER .001 [0.03]
TO .003 [0.08] Cu PLATING TO ACHIEVE
 $\varnothing .040 \pm .003$ [1.02 \pm .07] HOLE.

⑩. "DIM XXX" TO BE DETERMINED BY THE CUSTOMER.

⑪. CONNECTOR KEEP-OUT ZONE.

mat'l code				SEE NOTE 2		tolerances unless otherwise specified		CUSTOMER		 www.fciconnect.com		
ltr	ecn no.	dr	date	linear	.XX±.01/0.XX±0.3	COPY		projection	title			
A					.XXX±.005/0.XX±0.13				19P			
				angles	.XXX±.0020/0.XX±0.051				RIGHT ANGLE PRESS FIT HEADER			
				dr	0°±2°	CS 12/12/05		INCH/MM		product family	PwrBlade	code
				enr		STEVEN WANG 12/12/05		scale		size	dwg no	sheet
				chr		VICTOR LIN 12/12/05		1:1		A	51737-002	213
				appd		JOSEPH HSIA 12/12/05						4 of 4
sheet index	revision sheet											

cage code 22526 4