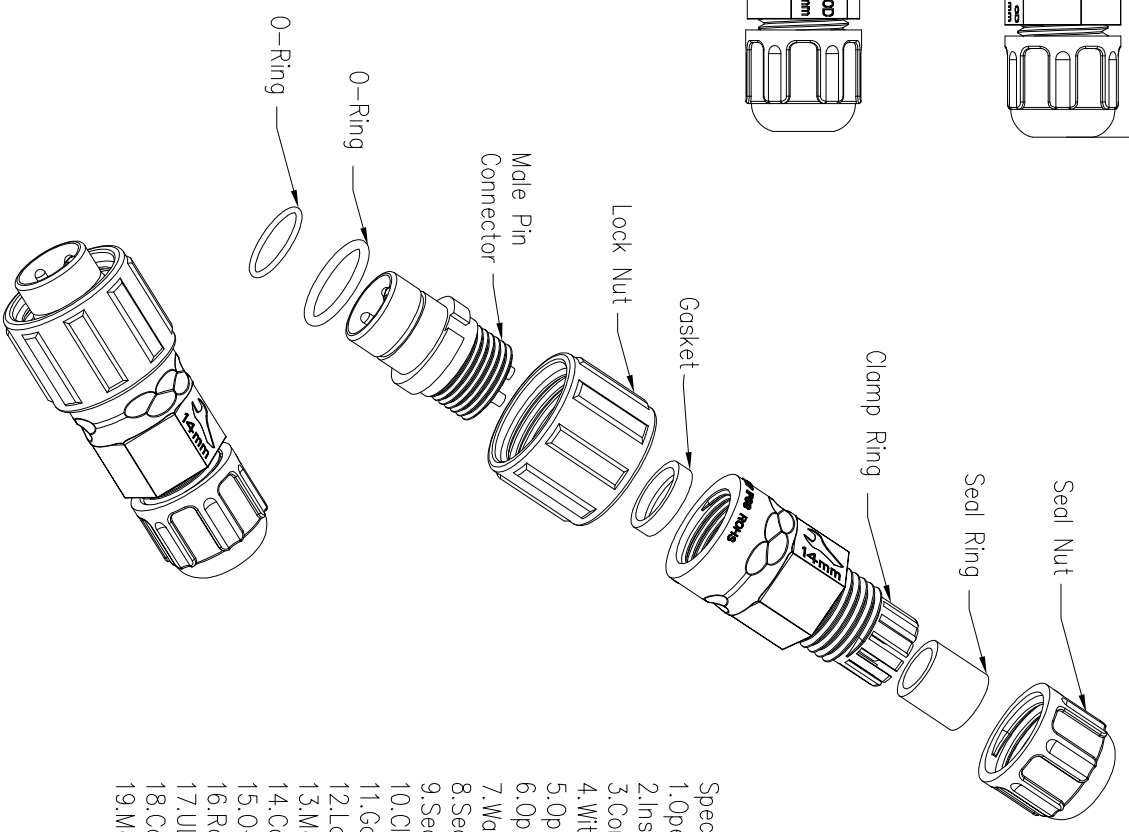
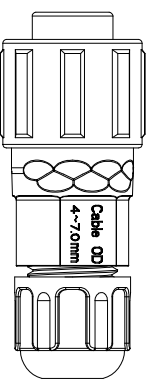
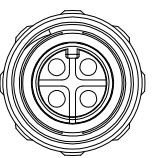
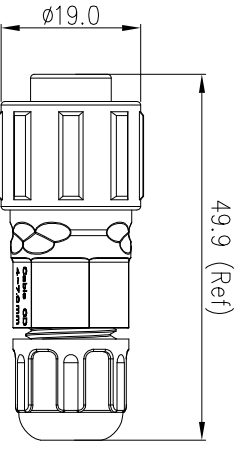


REV.	EN. NO.	DESCRIPTION	SIGN	DATE
C1	N/A	INITIAL DRAWING	Liu	2019/08/13

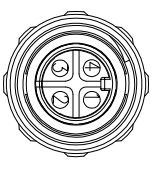


Specification:

1. Operation Temperature: -45°C~105°C.
2. Insulation Resistance: 100MΩ at DC500V.
3. Contact Resistance: <10mΩ.
4. Withstand Voltage: 1500V AC
5. Operating Current: 10A
6. Operating Voltage: AC 125V
7. Waterproof Rate: IP67 (Mated)
8. Seal Nut: Nylon, Black
9. Seal Ring: Silicon, Black.
10. Clamp Ring: Nylon, Black
11. Gasket: Silicon, Red
12. Lock Nut: Nylon, Black
13. Male Pin: Copper Alloy, Gold Plated
14. Connector: Nylon+GF, Black
15. O-Ring: Silicon, Red
16. RoHS Compliant.
17. UL Compliant.
18. Cable Range OD: φ3.5mm~φ6.8mm
19. Mating Cap: 806-00032-00

22XXXX111-01

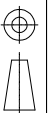
Pin Number



4 Pin

P/N: 22004111-01

Pin Assignments  
Front View



UNIT: mm

TOLERANCE	
.X	±0.25
.XX	±0.15
.XXX	±0.05
ANGLES	±1°

DESCRIPTION

Standard Series Screw  
Male Plug With Male Pin

SCALE	1:1	SHEET	1 OF 1
REV	C1	SIZE	A4
* : Inspection Item			

**CHOGORI**

PART NO 22XXXX111-01

DRAWN BY Liu

DATE 2019/08/13

DWG NO

CHECKED BY Mo

DATE 2019/08/13

CUSTOMER

APPROVED BY Panson

DATE 2019/08/13