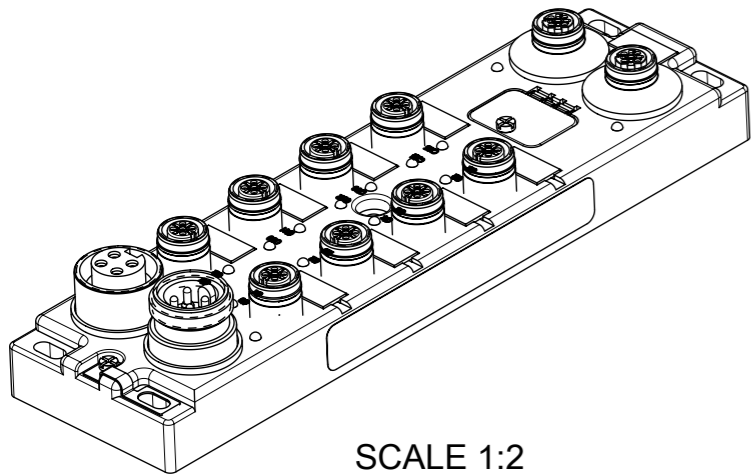


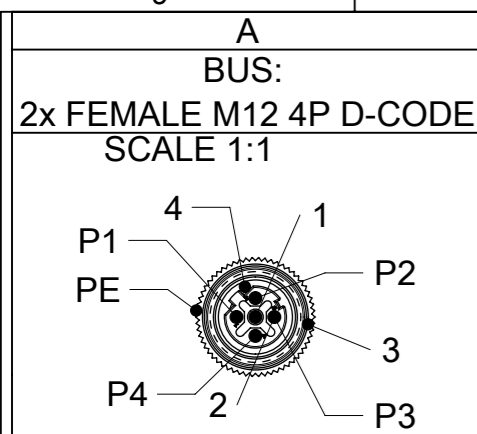
FIXING HOLES
SUITABLE FOR M5
SCREWS

FIXING HOLES
SUITABLE FOR M5
SCREWS

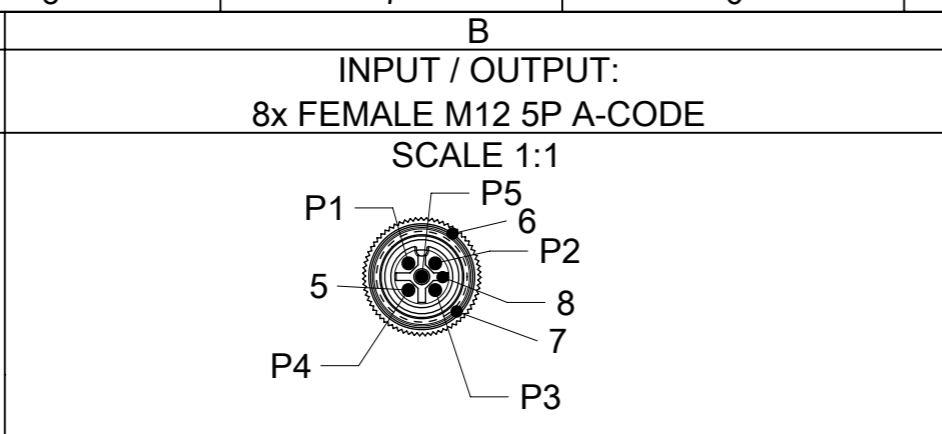


SCALE 1:2

SYMBOLS		THIS DRAWING CONTAINS INFORMATION THAT IS PROPRIETARY TO MOLEX ELECTRONIC TECHNOLOGIES, LLC AND SHOULD NOT BE USED WITHOUT WRITTEN PERMISSION		CURRENT REV DESC: ADD NEW P/N'S		molex	
▽ = 0	mm	SCALE	1:1	EC NO: 614399			
▽ = 0	GENERAL TOLERANCES (UNLESS SPECIFIED)		DRWN: SSM		2019/02/28	U12 4P 2PT DC FE	
▽ = 0	ANGULAR TOL ± °		CHK'D: RSILLER		2019/03/27	PRODUCT CUSTOMER DRAWING	
▽ = 0	4 PLACES ±		APPR: RSILLER		2019/03/27	DOCUMENT NUMBER	
▽ = 0	3 PLACES ±		INITIAL REVISION:		1120955011		DOC TYPE
▽ = 0	2 PLACES ±		DRWN: SSM		2019/02/28	PSD	DOC PART
▽ = 0	1 PLACE ± 0.3		APPR: RSILLER		2019/03/27	000	REVISION
▽ = 0	0 PLACES ± 0.5		THIRD ANGLE PROJECTION		SERIES		A
■ = 0	DRAFT WHERE APPLICABLE MUST REMAIN WITHIN DIMENSIONS		DRAWING		A3-SIZE	MATERIAL NUMBER	CUSTOMER
▽ = 0			SERIES		112095	SEE TABLE 3,4,5,6,7,8	SHEET NUMBER
				GENERAL MARKET		1 OF 8	

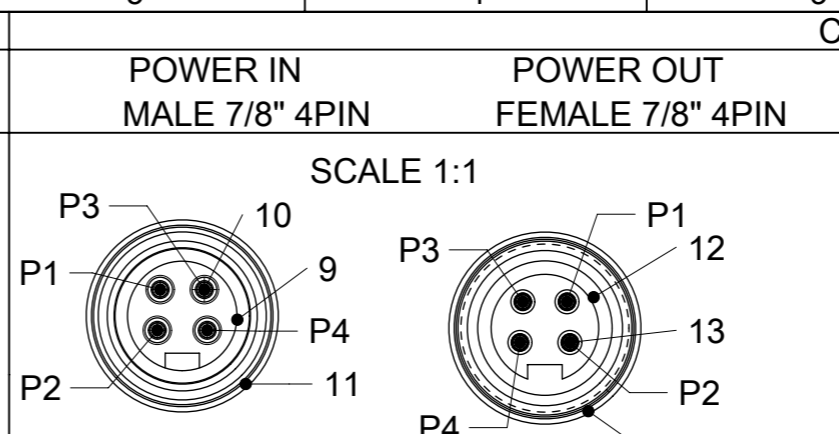


WIRING INFORMATION
P1 TX+
P2 RX+
P3 TX-
P4 RX-

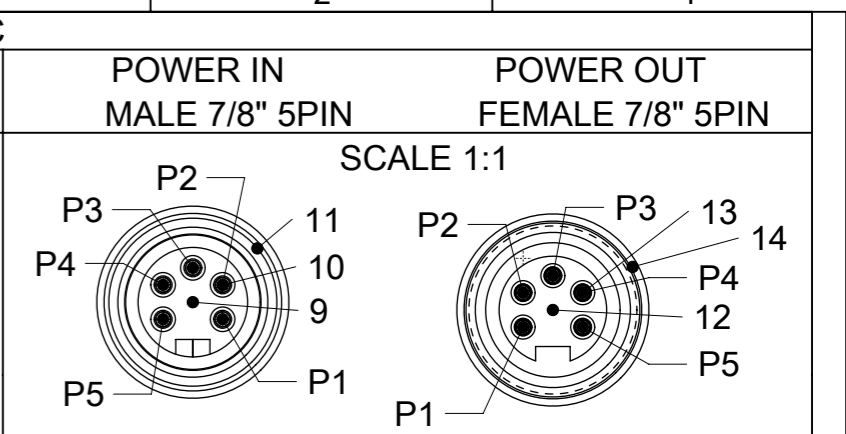


WIRING INFORMATION INPUT
P1 - +24 VDC
P2 - Input (even)
P3 - 0 V (Ground)
P4 - Input (odd)
P5 - PE (Protected Earth)

WIRING INFORMATION OUTPUT
P1 - N/C
P2 - Output (even)
P3 - 0 V (Ground)
P4 - Output (odd)
P5 - PE (Protected Earth)



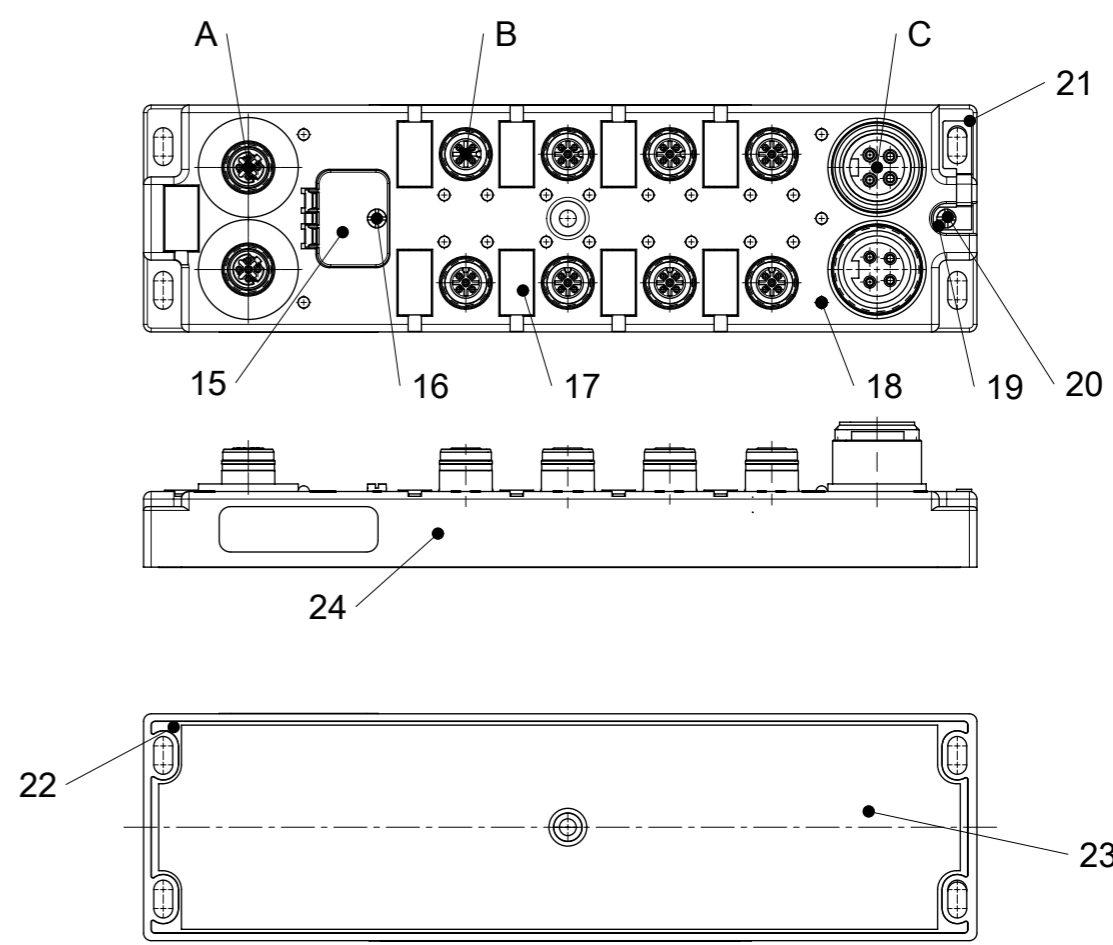
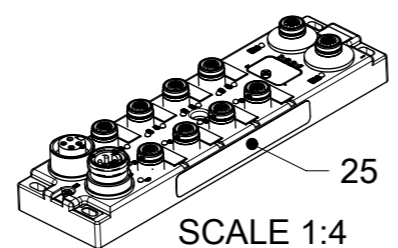
WIRING INFORMATION
P1 - +24 VDC (Outputs Power)
P2 - +24 VDC (Module & Inputs Power)
P3 - 0 V (Module & Inputs Power)
P4 - 0 V (Outputs Power)



WIRING INFORMATION
P1 - 0 V (Outputs Power)
P2 - 0 V (Module & Inputs Power)
P3 - PE (Protected Earth)
P4 - +24 VDC (Module and Inputs Power)
P5 - +24 VDC (Outputs Power)

BILL OF MATERIAL

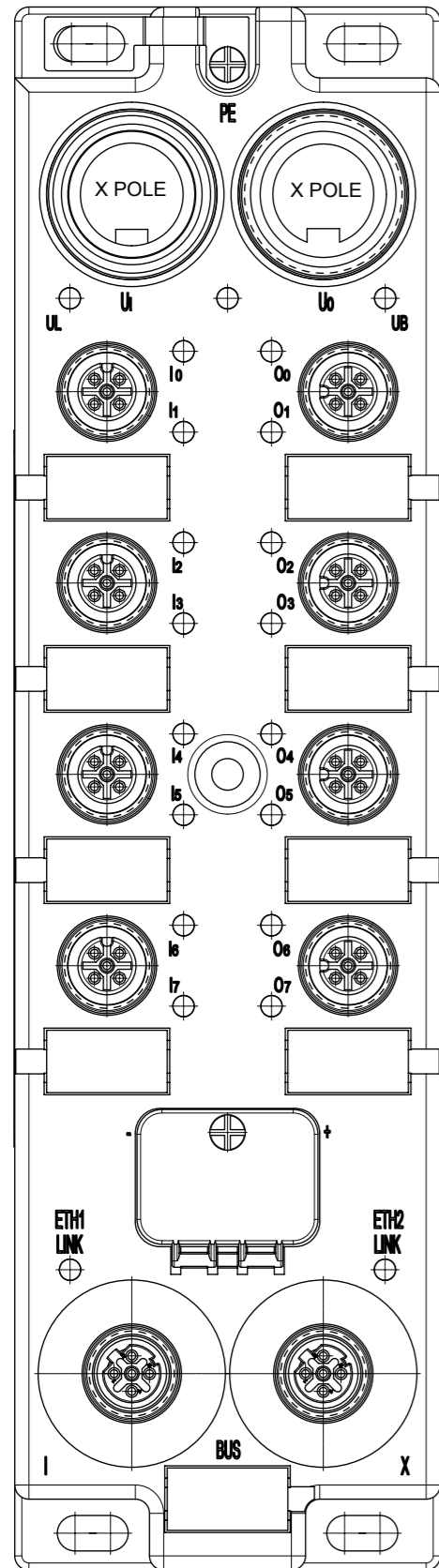
ITEM	DESCRIPTION	MATERIAL	FINISH
1	INSERT	TPU	BLACK
2	CONTACT	COPPER ALLOY	GOLD OVERNICKEL
3	SHELL	BRASS	NICKEL PLATET
4	GASKET	FPM	BLACK
5	CONTACT	COPPER ALLOY	GOLD OVER NICKEL
6	GASKET	FPM	BLACK
7	SHELL	BRASS	NICKEL PLATET
8	INSERT	TPU	BLACK
9	INSERT	TPE	YELLOW
10	CONTACT	COPPER ALLOY	GOLD OVERNICKEL
11	SHELL	BRASS	NICKEL PLATET
12	INSERT	TPE	YELLOW
13	CONTACT	COPPER ALLOY	GOLD OVER NICKEL
14	SHELL	BRASS	NICKEL PLATET
15	WINDOW	PC	TRANSPARENT
16	SCREW	V2A	-
17	LABEL	PC	WHITE
18	FIBER OPTIC	PA	TRANSPARENT
19	WASHER	BRASS	NICKEL PLATET
20	SCREW	V2A	-
21	SHIELD PLATE	STAINLESS STEEL	-
22	RESIN	EPOXY	TRANSPARENT
23	LABEL	PVC	WHITE
24	HOUSING	PBT	BLACK
25	LABEL	PVC	YELLOW



SYMBOLS DIMENSION UNITS: mm SCALE: 1:2 GENERAL TOLERANCES (UNLESS SPECIFIED): ANGULAR TOL: ± ° 4 PLACES: ± 3 PLACES: ± 2 PLACES: ± 1 PLACE: ± 0.3 0 PLACES: ± 0.5 DRAFT WHERE APPLICABLE MUST REMAIN WITHIN DIMENSIONS THIRD ANGLE PROJECTION	THIS DRAWING CONTAINS INFORMATION THAT IS PROPRIETARY TO MOLEX ELECTRONIC TECHNOLOGIES, LLC AND SHOULD NOT BE USED WITHOUT WRITTEN PERMISSION CURRENT REV DESC: ADD NEW P/N'S			
	EC NO: 614399 DRWN: SSM 2019/02/28 CHK'D: RSILLER 2019/03/27 APPR: RSILLER 2019/03/27			
INITIAL REVISION: DRWN: SSM 2019/02/28 APPR: RSILLER 2019/03/27			PRODUCT CUSTOMER DRAWING	
DOCUMENT NUMBER: 1120955011			DOC TYPE: PSD	DOC PART: 000
MATERIAL NUMBER: 112095			CUSTOMER: GENERAL MARKET	SHEET NUMBER: 2 OF 8

TABLE 3 8I/8O PRINTING

POWER TYPE	INPUT/OUTPUT	EtherNet/IP		PROFINET		3D MODEL NO.	
		ENG. NO	MOLEX P/N	ENG. NO	MOLEX P/N		
7/8" 5 POLE	PNP	8I/8O	TCDEI-888P-D1U-G	1120955061	TCDEP-888P-D1U-G	1120955050	1120955011 - PDM
		8I/8O	TCDEI-888P-D1U-G02	1120955142			
		8IN/4M	TCDEI-88MP-D1U-G	1120955118			
7/8" 4 POLE	PNP	8I/8O	TCDEI-888P-DYU-G	1120955041	TCDEP-888P-DYU-G	1120955053	
			TCDEI-888P-DYU-G01	1120955072			
			TCDEI-888P-DYU-G02	1120955138			

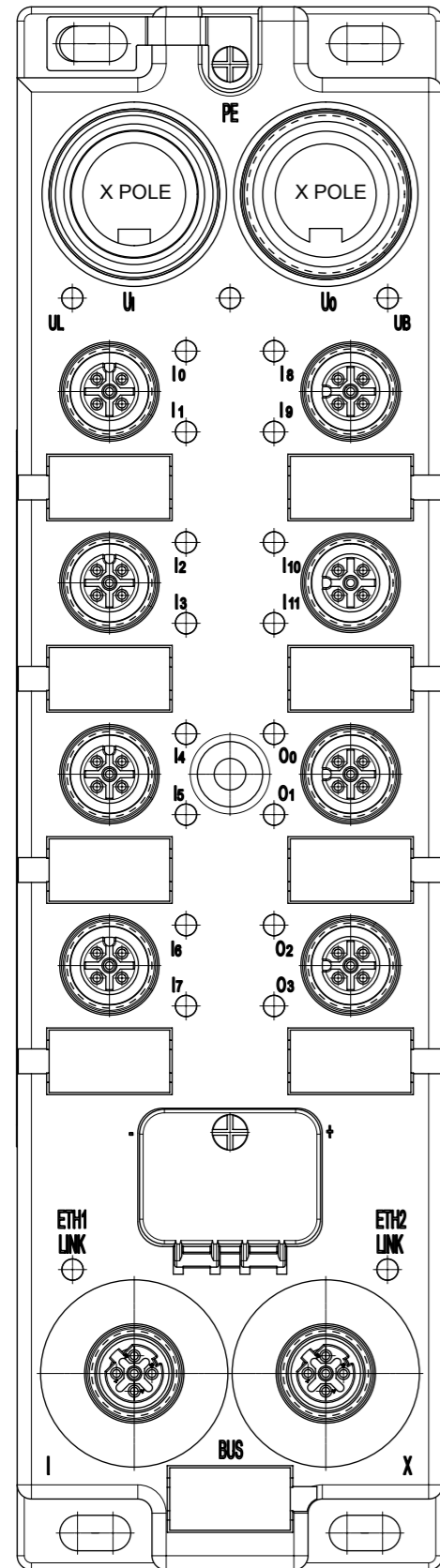


8I/8O IN PRINTING

SYMBOLS DIMENSION UNITS: mm SCALE: 1:1 GENERAL TOLERANCES (UNLESS SPECIFIED) ANGULAR TOL ± ° 4 PLACES ± 3 PLACES ± 2 PLACES ± 1 PLACE ± 0.3 0 PLACES ± 0.5 DRAFT WHERE APPLICABLE MUST REMAIN WITHIN DIMENSIONS THIRD ANGLE PROJECTION DRAWING SERIES MATERIAL NUMBER CUSTOMER SHEET NUMBER	THIS DRAWING CONTAINS INFORMATION THAT IS PROPRIETARY TO MOLEX ELECTRONIC TECHNOLOGIES, LLC AND SHOULD NOT BE USED WITHOUT WRITTEN PERMISSION CURRENT REV DESC: ADD NEW P/N'S			
	EC NO: 614399 DRWN: SSM 2019/02/28 CHK'D: RSILLER 2019/03/27 APPR: RSILLER 2019/03/27			
	INITIAL REVISION: DRWN: SSM 2019/02/28 APPR: RSILLER 2019/03/27		PRODUCT CUSTOMER DRAWING	
	DOCUMENT NUMBER: 1120955011 DOC TYPE: PSD DOC PART: 000 REVISION: A		SEE TABLE 3,4,5,6,7,8 GENERAL MARKET 5 OF 8	

TABLE 4 12I/4O PRINTING

POWER TYPE	INPUT/OUTPUT	EtherNet/IP		PROFINET		3D MODEL NO.	
		ENG. NO	MOLEX P/N	ENG. NO	MOLEX P/N		
7/8" 5 POLE	PNP	12I/4O	TCDEI-8B4P-D1U-G	1120955063	TCDEP-8B4P-D1U-G	1120955051	1120955011 - PDM
		12I/4O	TCDEI-8B4P-D1U-G02	1120955143			
7/8" 4 POLE	PNP	12I/4O	TCDEI-8B4P-DYU-G	1120955043	TCDEP-8B4P-DYU-G	1120955054	
		12I/4O	TCDEI-8B4P-DYU-G01	1120955073			
		12I/4O	TCDEI-8B4P-DYU-G02	1120955139			



12I/4O PRINTING

SYMBOLS	THIS DRAWING CONTAINS INFORMATION THAT IS PROPRIETARY TO MOLEX ELECTRONIC TECHNOLOGIES, LLC AND SHOULD NOT BE USED WITHOUT WRITTEN PERMISSION		CURRENT REV DESC: ADD NEW P/N'S				
	DIMENSION UNITS	SCALE					
▽ = 0	mm	1:1	EC NO: 614399		DOCUMENT NUMBER		
▽ = 0	GENERAL TOLERANCES (UNLESS SPECIFIED)		DRWN: SSM 2019/02/28		1120955011		
▽ = 0	ANGULAR TOL ± °		CHK'D: RSILLER 2019/03/27		DOC TYPE DOC PART REVISION		
▽ = 0	4 PLACES ±		APPR: RSILLER 2019/03/27		PSD 000 A		
▽ = 0	3 PLACES ±		INITIAL REVISION:		MATERIAL NUMBER		
▽ = 0	2 PLACES ±		DRWN: SSM 2019/02/28		SEE TABLE 3,4,5,6,7,8		
▽ = 0	1 PLACE ± 0.3		APPR: RSILLER 2019/03/27		CUSTOMER		
▽ = 0	0 PLACES ± 0.5		THIRD ANGLE PROJECTION		GENERAL MARKET		
□ = 0	DRAFT WHERE APPLICABLE MUST REMAIN WITHIN DIMENSIONS		DRAWING		SHEET NUMBER		
▽ = 0			A3-SIZE		6 OF 8		

