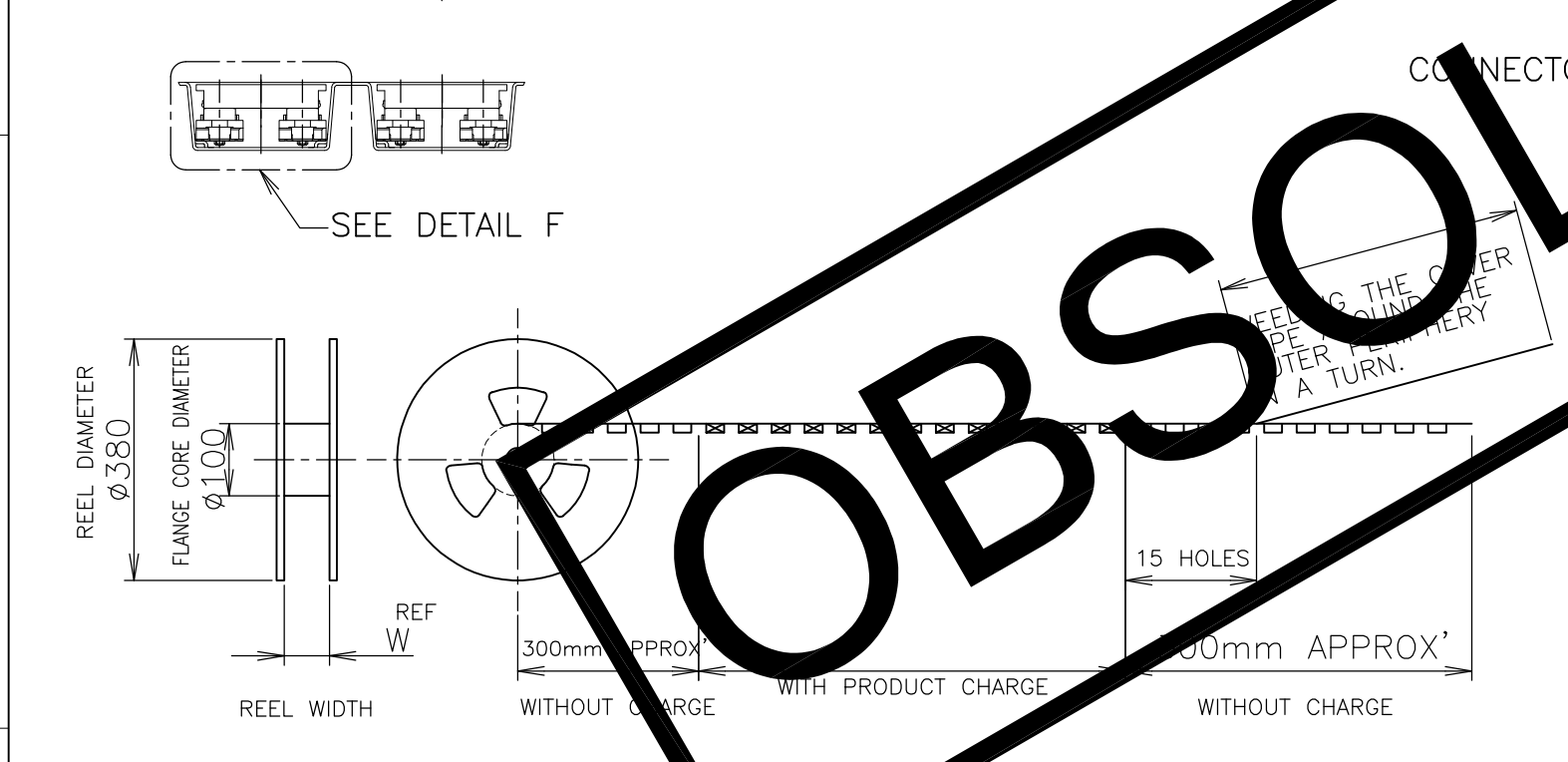
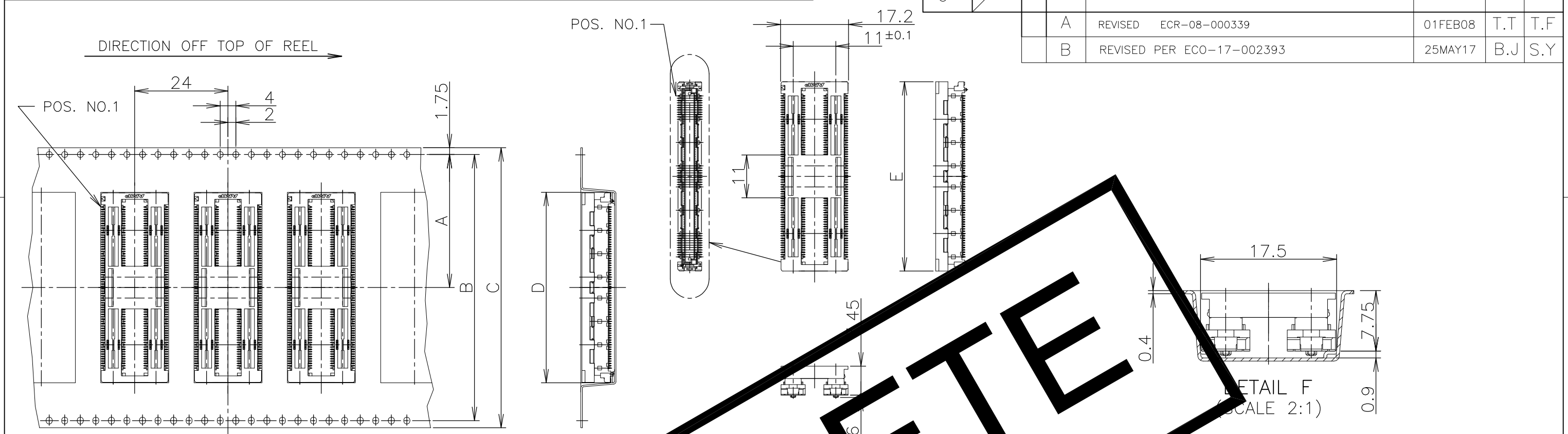


THIS DRAWING IS UNPUBLISHED. RELEASED FOR PUBLICATION JUN ,1996.
 © COPYRIGHT 1996 BY TYCO ELECTRONICS CORPORATION. ALL RIGHTS RESERVED.

LOC	DIST	REVISIONS 変更			
P	LTR	DESCRIPTION	DATE	DWN	APVD
J		A	REVISED ECR-08-000339	01FEB08	T.T T.F
		B	REVISED PER ECO-17-002393	25MAY17	B.J S.Y



3 THIS PRODUCT WAS COATED BY FLUX-PENETRATION
 -INHIBITING AGENT.

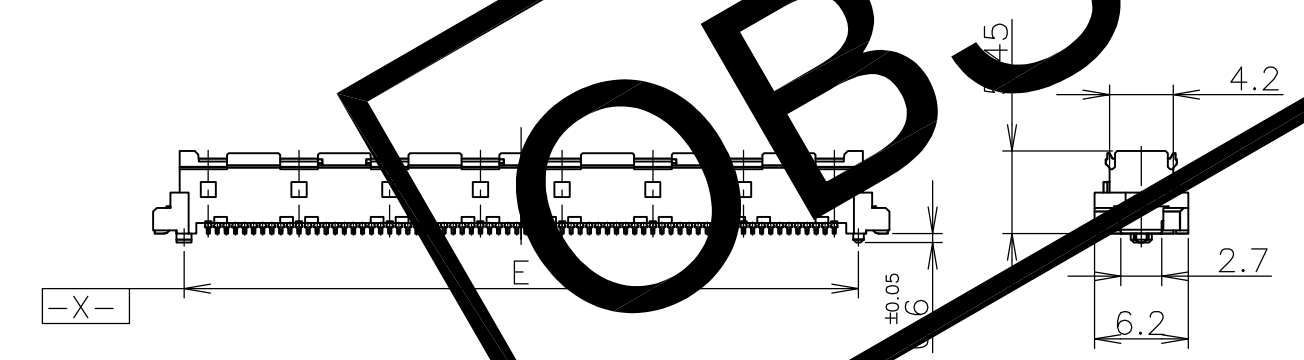
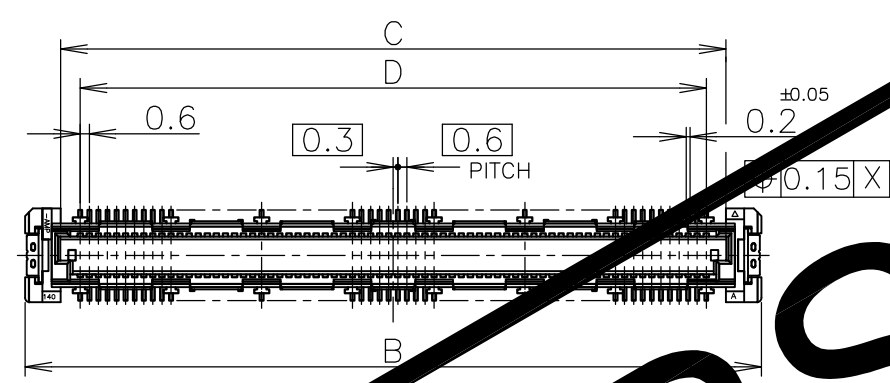
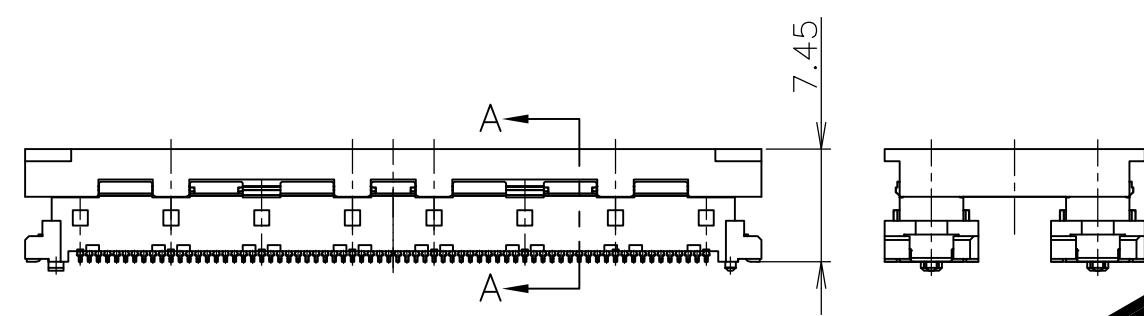
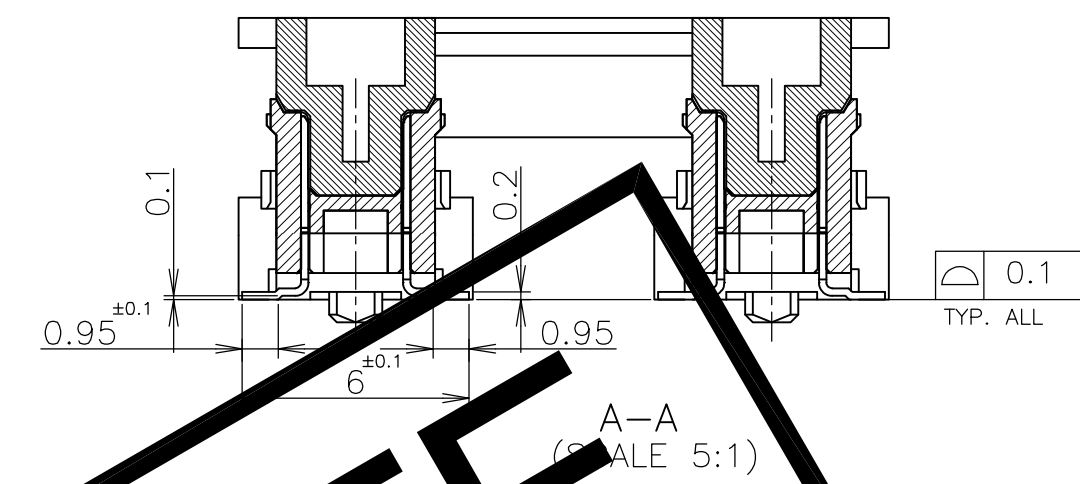
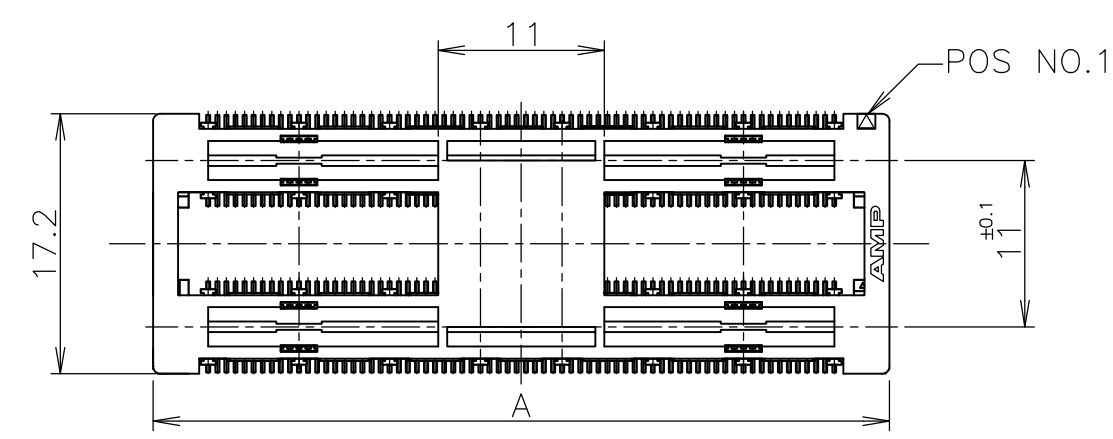
OBSOLETE

SEALANT	TOOLING STATUS	QTY.	W	E	D	C	B	A	POS.	PART NO.
SEALANT	NOT AVAILABLE	400	77.5	54.7	55	72	68.4	34.2	320	6-5353134-1
	AVAILABLE	↑	77.5	48.7	49	72	68.4	34.2	280	6-↑-0
NON SEALANT	NOT AVAILABLE	↑	61.5	42.7	43	56	52.4	26.2	240	5-↑-9
	NOT AVAILABLE	400	61.5	36.7	37	56	52.4	26.2	200	5-5353134-8
	NOT AVAILABLE	400	77.5	54.7	55	72	68.4	34.2	320	1-5353134-1
	AVAILABLE	↑	77.5	48.7	49	72	68.4	34.2	280	1-↑-0
NON SEALANT	NOT AVAILABLE	↑	61.5	42.7	43	56	52.4	26.2	240	↑-9
	NOT AVAILABLE	400	61.5	36.7	37	56	52.4	26.2	200	5353134-8

THIS DRAWING IS A CONTROLLED DOCUMENT.		DWN HAWKING HE 20DEC04	Tyco Electronics Corporation Kawasaki, Japan		
DIMENSIONS: 単位: 耗 mm		CHK STEVEN YAO 20DEC04	NAME I.ENOMOTO		
TOLERANCES UNLESS OTHERWISE SPECIFIED: 一般公差		APVD I.ENOMOTO 20DEC04	PRODUCT SPEC 製品規格 108-60047		
0 PLC ± 0.2 1 PLC ± 0.2 2 PLC ± 0.2 3 PLC ± 0.2 4 PLC ± 0.2 PLC ANGLES ± 5'		APPLICATION SPEC 取付適用規格 114-5255		EMBOSS ASSY FH 0.6BTB CONNECTOR PLUG 6H 2ROW TYPE	
MATERIAL 材料	FINISH 仕上	WEIGHT	SIZE A3	CAGE CODE 00779	DRAWING NO 番号 G-5353134
CUSTOMER DRAWING			RESTRICTED TO	SCALE 尺度 1:1	SHEET 1 OF 3

THIS DRAWING IS UNPUBLISHED. RELEASED FOR PUBLICATION JUN , 1996.
 © COPYRIGHT 1996 BY TYCO ELECTRONICS CORPORATION. ALL RIGHTS RESERVED.

LOC	DIST	REVISIONS					
J		P	LTR	DESCRIPTION	DATE	DWN	APVD
		-		SEE SHEET 1	-	-	-



OBSOLETE

MATERIAL ; HOUSING : HIGH TEMP THERMO PLASTIC
 H94V-0
 CONTACT : COPPER ALLOY
 FINISH ; UNDER PL Ni 0.0013mm MIN ALL OVER.
 CONTACT AREA 0.0002 MIN Au PL.
 SOLDERING AREA 0.001 MIN TIN PL.

51.8	50.6	47.4	50	54.7	54.7	320
45.8	44.6	41.4	44	48.7	48.7	280
39.8	38.6	35.4	38	42.7	42.7	240
33.8	32.6	29.4	32	36.7	36.7	200
F	E	D	C	B	A	POS

GENERAL TOLERANCE
 一般公差
 10 ≥ ±0.2
 30 ≥ >10: ±0.25
 100 ≥ >30: ±0.3
 ANGLES: ±3°

THIS DRAWING IS A CONTROLLED DOCUMENT.

DIMENSIONS: 単位: 耗 mm	TOLERANCES UNLESS OTHERWISE SPECIFIED: 一般公差	DWN	Tyco Electronics Tyco Electronics Corporation Kawasaki, Japan	
	0 PLC ± -	CHK	NAME 名称 EMBOSS ASSY FH 0.6BTB CONNECTOR PLUG 6H 2ROW TYPE	
	1 PLC ± -	APVD		
	2 PLC ± -	PRODUCT SPEC 製品規格	SIZE	CAGE CODE
	3 PLC ± -	APPLICATION SPEC 取付適用規格	A3	00779
	4 PLC ± -	WEIGHT	DRAWING NO 番号	RESTRICTED TO
	ANGLES ± -	CUSTOMER DRAWING	G-5353134	
MATERIAL 材料	FINISH 仕上	SCALE 尺度 2:1		
①	②	SHEET 2 OF 3		
		REV B		

