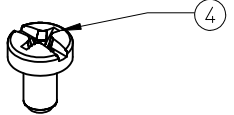
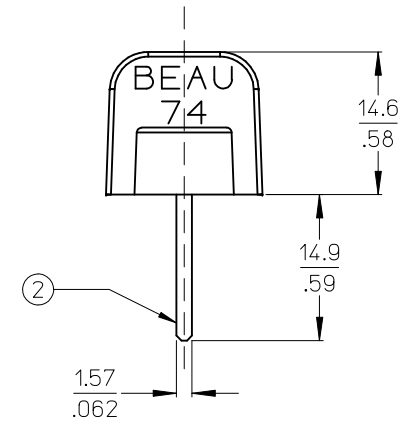
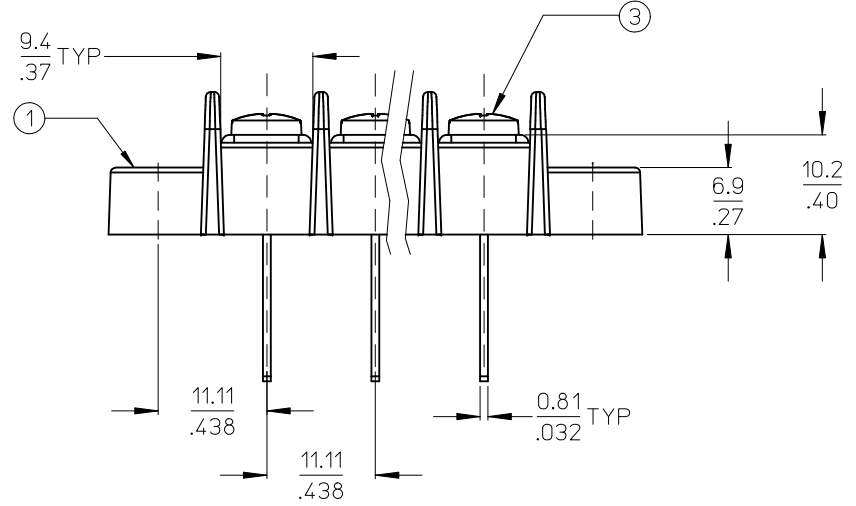
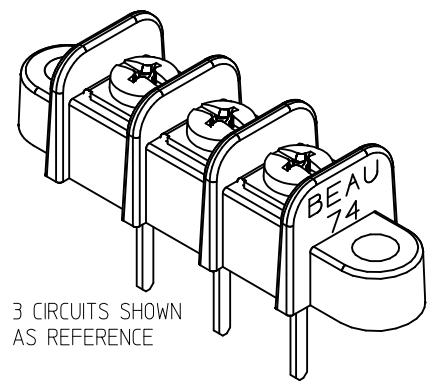
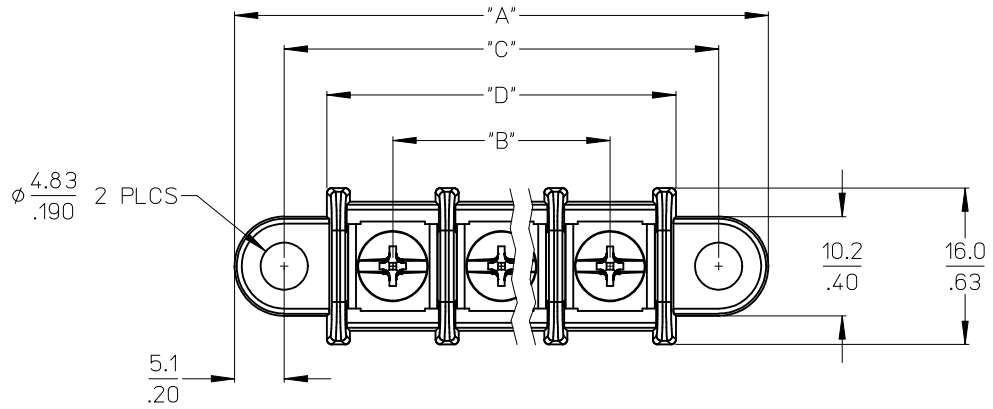
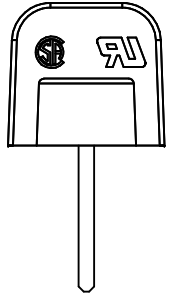


REF. -50 OPT. SCREW  
(WHERE APPLICABLE)



REF. -49 OPT. SCREW  
(WHERE APPLICABLE)



- NOTES:
1. MATERIAL: SEE TABLE
  2. FINISHES: SEE TABLE
  3. PRODUCT SPECIFICATION: NOT REQUIRED
  4. "XX" REFERS TO THE QTY. OF CIRCUITS
  5. ROHS COMPLIANT

|      |      |                                    |                 |                    |
|------|------|------------------------------------|-----------------|--------------------|
| 5    | XX   | SCREW #6-32X.250 PAN PHSL -50 OPT. | STEEL           | ZN, CLEAR CHROMATE |
| 4    | XX   | SCREW #6-32X.250 BHD PHSL -49 OPT. | BRASS           | NICKEL PLATE       |
| 3    | XX   | SCREW #6-32X.250 BHD PHSL (STD)    | STEEL           | ZN, CLEAR CHROMATE |
| 2    | XX   | TERM WW 6C SN/B                    | BRASS           | TIN PLATE          |
| 1    | 1    | SR BTS CB MOMTG                    | POLYESTER (PBT) | BLACK              |
| ITEM | QTY. | DESCRIPTION                        | MATERIAL        | FINISH             |

INITIAL RELEASE  
EC NO: WNA2011-0003  
DRWN: JENC INAS 2010/07/16  
CHKD: 2010/08/16  
APPR: JMACNEIL 2010/08/18

QUALITY SYMBOLS  
▽=0  
▽=0

GENERAL TOLERANCES (UNLESS SPECIFIED)

|          |        |        |
|----------|--------|--------|
|          | mm     | INCH   |
| 4 PLACES | ± ---  | ± ---  |
| 3 PLACES | ± ---  | ± .005 |
| 2 PLACES | ± 0.13 | ± .01  |
| 1 PLACE  | ± 0.3  | ± ---  |

ANGULAR ± 2 °

DRAFT WHERE APPLICABLE MUST REMAIN WITHIN DIMENSIONS

DIMENSION STYLE  
MM/IN

DRAWN BY  
AHIDALGO

DATE  
2007/03/07

CHECKED BY  
JENCINAS

DATE  
2007/03/07

APPROVED BY  
JMACNEIL

DATE  
2007/03/07

MATERIAL NO.

SEE SHEET 2

SCALE  
2:1

DESIGN UNITS  
INCH

THIRD ANGLE PROJECTION

MOLEX

TITLE  
11.1MM/.438 SR, BTS ASSEMBLY LOW PROFILE -49 -50

MOLEX INCORPORATED

DOCUMENT NO.  
SD-38741-004

SHEET NO.  
1 OF 2

THIS DRAWING CONTAINS INFORMATION THAT IS PROPRIETARY TO MOLEX INCORPORATED AND SHOULD NOT BE USED WITHOUT WRITTEN PERMISSION

| NO. OF<br>CIRCUITS<br>"XX" | DIM. "A" |       | DIM. "B"    |               | DIM. "C"    |               | DIM. "D" |       | ASSEMBLY<br>MATERIAL No.<br>STD. | ASSEMBLY<br>MATERIAL No.<br>-49 OPT. | ASSEMBLY<br>MATERIAL No.<br>-50 OPT. |
|----------------------------|----------|-------|-------------|---------------|-------------|---------------|----------|-------|----------------------------------|--------------------------------------|--------------------------------------|
|                            | MM       | INCH  | MM<br>±0.30 | INCH<br>±.010 | MM<br>±0.30 | INCH<br>±.010 | MM       | INCH  |                                  |                                      |                                      |
| 2                          | 43.4     | 1.71  | 11.13       | 0.438         | 33.35       | 1.313         | 24.6     | 0.97  | 387412102                        | 387412702                            | 387413302                            |
| 3                          | 54.5     | 2.15  | 22.26       | 0.876         | 44.48       | 1.751         | 35.8     | 1.41  | 387412103                        | 387412703                            | 387413303                            |
| 4                          | 65.7     | 2.59  | 33.39       | 1.314         | 55.61       | 2.189         | 46.9     | 1.85  | 387412104                        | 387412704                            | 387413304                            |
| 5                          | 76.8     | 3.02  | 44.52       | 1.752         | 66.74       | 2.627         | 58.0     | 2.28  | 387412105                        | 387412705                            | 387413305                            |
| 6                          | 87.9     | 3.46  | 55.65       | 2.190         | 77.87       | 3.065         | 69.2     | 2.72  | 387412106                        | 387412706                            | 387413306                            |
| 7                          | 99.1     | 3.90  | 66.78       | 2.628         | 89.00       | 3.503         | 80.3     | 3.16  | 387412107                        | 387412707                            | 387413307                            |
| 8                          | 110.2    | 4.34  | 77.91       | 3.066         | 100.13      | 3.941         | 91.4     | 3.60  | 387412108                        | 387412708                            | 387413308                            |
| 9                          | 121.3    | 4.78  | 89.04       | 3.504         | 111.26      | 4.379         | 102.6    | 4.04  | 387412109                        | 387412709                            | 387413309                            |
| 10                         | 132.4    | 5.21  | 100.17      | 3.942         | 122.39      | 4.817         | 113.7    | 4.47  | 387412110                        | 387412710                            | 387413310                            |
| 11                         | 143.6    | 5.65  | 111.30      | 4.380         | 133.52      | 5.255         | 124.8    | 4.91  | 387412111                        | 387412711                            | 387413311                            |
| 12                         | 154.7    | 6.09  | 122.43      | 4.818         | 144.65      | 5.693         | 135.9    | 5.35  | 387412112                        | 387412712                            | 387413312                            |
| 13                         | 165.8    | 6.53  | 133.56      | 5.256         | 155.78      | 6.131         | 147.1    | 5.79  | 387412113                        | 387412713                            | 387413313                            |
| 14                         | 177.0    | 6.97  | 144.69      | 5.694         | 166.91      | 6.569         | 158.2    | 6.23  | 387412114                        | 387412714                            | 387413314                            |
| 15                         | 188.1    | 7.40  | 155.82      | 6.132         | 178.04      | 7.007         | 169.3    | 6.66  | 387412115                        | 387412715                            | 387413315                            |
| 16                         | 199.2    | 7.84  | 166.95      | 6.570         | 189.17      | 7.445         | 180.5    | 7.10  | 387412116                        | 387412716                            | 387413316                            |
| 17                         | 210.4    | 8.28  | 178.08      | 7.008         | 200.30      | 7.883         | 191.6    | 7.54  | 387412117                        | 387412717                            | 387413317                            |
| 18                         | 221.5    | 8.72  | 189.21      | 7.446         | 211.43      | 8.321         | 202.7    | 7.98  | 387412118                        | 387412718                            | 387413318                            |
| 19                         | 232.6    | 9.16  | 200.34      | 7.884         | 222.56      | 8.759         | 213.9    | 8.42  | 387412119                        | 387412719                            | 387413319                            |
| 20                         | 243.7    | 9.59  | 211.47      | 8.322         | 233.69      | 9.197         | 225.0    | 8.85  | 387412120                        | 387412720                            | 387413320                            |
| 21                         | 254.9    | 10.03 | 222.60      | 8.760         | 244.82      | 9.635         | 236.1    | 9.29  | 387412121                        | 387412721                            | 387413321                            |
| 22                         | 266.0    | 10.47 | 233.73      | 9.198         | 255.95      | 10.073        | 247.2    | 9.73  | 387412122                        | 387412722                            | 387413322                            |
| 23                         | 277.1    | 10.91 | 244.86      | 9.636         | 267.08      | 10.511        | 258.4    | 10.17 | 387412123                        | 387412723                            | 387413323                            |
| 24                         | 288.3    | 11.35 | 255.99      | 10.074        | 278.21      | 10.949        | 269.5    | 10.61 | 387412124                        | 387412724                            | 387413324                            |
| 25                         | 299.4    | 11.78 | 267.12      | 10.512        | 289.34      | 11.387        | 280.6    | 11.04 | 387412125                        | 387412725                            | 387413325                            |
| 26                         | 310.5    | 12.22 | 278.25      | 10.950        | 300.47      | 11.825        | 291.8    | 11.48 | 387412126                        | 387412726                            | 387413326                            |
| 27                         | 321.7    | 12.66 | 289.38      | 11.388        | 311.60      | 12.263        | 302.9    | 11.92 | 387412127                        | 387412727                            | 387413327                            |
| 28                         | 332.8    | 13.10 | 300.51      | 11.826        | 322.73      | 12.701        | 314.0    | 12.36 | 387412128                        | 387412728                            | 387413328                            |
| 29                         | 343.9    | 13.54 | 311.64      | 12.264        | 333.86      | 13.139        | 325.2    | 12.80 | 387412129                        | 387412729                            | 387413329                            |
| 30                         | 355.0    | 13.97 | 322.77      | 12.702        | 344.99      | 13.577        | 336.3    | 13.23 | 387412130                        | 387412730                            | 387413330                            |

|  |  |   |            |                           |                    |   |                      |                              |                     |                    |
|--|--|---|------------|---------------------------|--------------------|---|----------------------|------------------------------|---------------------|--------------------|
| SEE SHEET ONE<br>EC NO: WNA2011-0003<br>DRAWN: JENC INAS 2010/07/16<br>CHKD: JMACNEIL 2010/08/16<br>APPR: JMACNEIL 2010/08/16<br>A | QUALITY SYMBOLS<br>▽=0<br>▽/E=0<br>DESCRIPTION | GENERAL TOLERANCES (UNLESS SPECIFIED)   |            | DIMENSION STYLE<br>MM/IN  |                    | SCALE<br>2:1  | DESIGN UNITS<br>INCH | THIRD ANGLE PROJECTION       |                     |                    |
|  |  | 4 PLACES ± --- ± ---<br>3 PLACES ± --- ± .005<br>2 PLACES ± 0.13 ± .01<br>1 PLACE ± 0.3 ± --- | mm<br>INCH | DRAWN BY<br>AHIDALGO      | DATE<br>2007/03/07 | TITLE<br>11.1MM/.438 SR, BTS<br>ASSEMBLY LOW PROFILE<br>-49 -50 |                      |                              |                     |                    |
|  |  | ANGULAR ± 2 °   |            | CHECKED BY<br>JENC INAS   | DATE<br>2007/03/07 | APPROVED BY<br>JMACNEIL   |                      |                              |                     | DATE<br>2007/03/07 |
|  |  | DRAFT WHERE APPLICABLE<br>MUST REMAIN<br>WITHIN DIMENSIONS                                    |            | MATERIAL NO.<br>SEE CHART |                    | MOLEX INCORPORATED  |                      | DOCUMENT NO.<br>SD-38741-004 | SHEET NO.<br>2 OF 2 |                    |