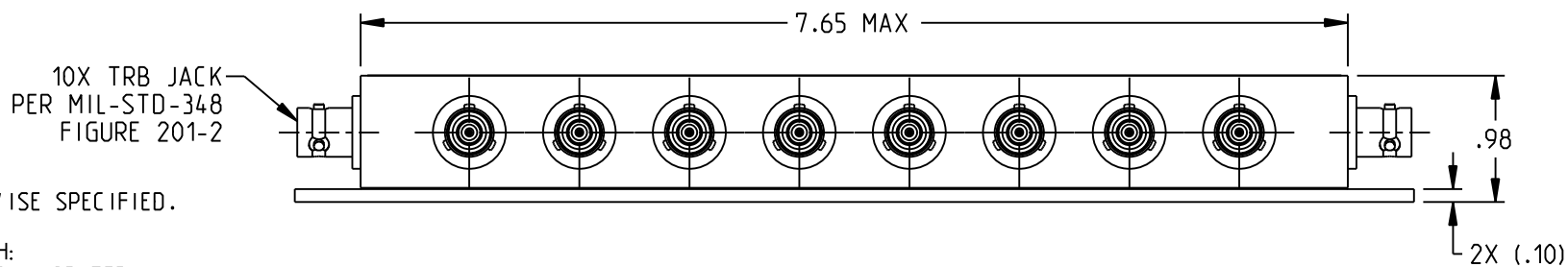
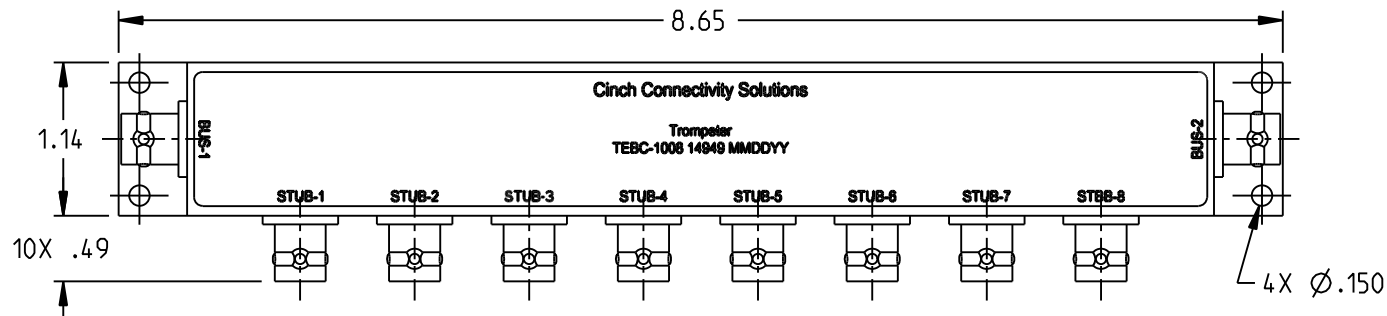
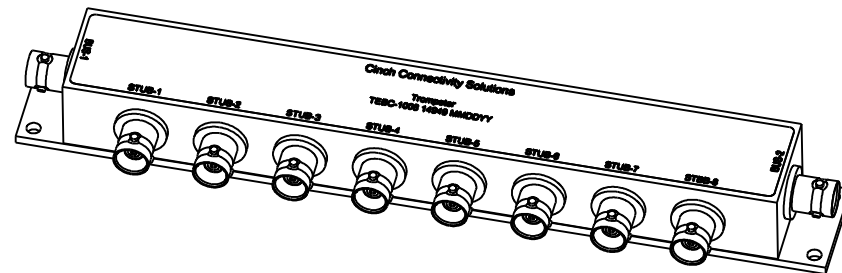
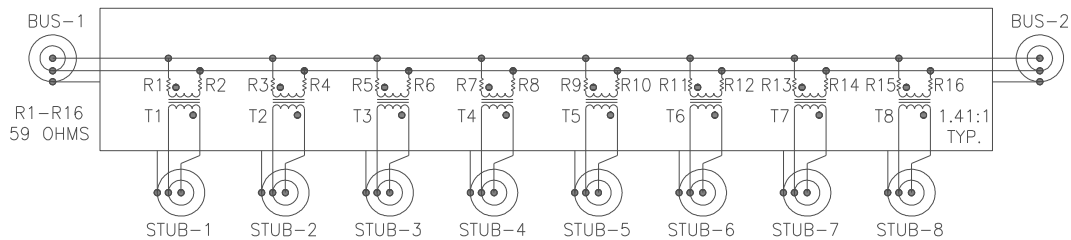


SCHEMATIC



NOTES: UNLESS OTHERWISE SPECIFIED.

1. MATERIAL & FINISH:

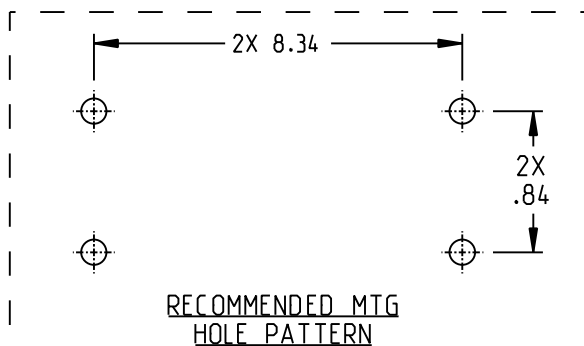
- 1.1 COUPLER HOUSING: ANODIZED ALUMINUM, PAINTED BLUE
- 1.2 TRB JACK:
 - 1.2.1 BODY: NICKEL PLATED BRASS
 - 1.2.2 INSULATOR & DIELECTRIC: PTFE (TEFLON)
 - 1.2.3 CENTER CONTACT: GOLD PLATED BERYLLIUM COPPER

2. ELECTRICAL:

- 2.1 DROOP: 20% MAXIMUM
- 2.2 OVERTHOOT AND RINGING: $\pm 1.0V$ PK-PK
- 2.3 TRANSFORMER RATIO: 1.41CT-CT
- 2.4 FAULT PROTECTION: 59 OHM $\pm 1\%$, 2 WATTS PER MIL-PRF-39007
- 2.5 COMMON MODE REJECTION: -55dB @ 1 MHz

3. ENVIRONMENTAL:

- 3.1 OPERATING TEMPERATURE: -55°C TO 125°C.



	3RD ANGLE PROJECTION	TROMPETER	
		Title: TRB BUS COUPLER, UNTERMINATED, EIGHT STUBS	
This PROPRIETARY Document is property of Cinch Connectivity Solutions. It is confidential in nature, non-transferable, and issued with the clear understanding that it is not traced or copied without permission and is returnable upon demand.		Model No.	TEBC-1008
UNLESS OTHERWISE SPECIFIED UNITS: INCH .XX $\pm .03$.XXX $\pm .015$ ANGLES $\pm 2^\circ$	INTERPRET DRAWING IN ACCORDANCE WITH ASME Y14.5-2009.	Size A DO NOT SCALE DRAWING	Date: 2/18/2020 Sheet 1 OF 1