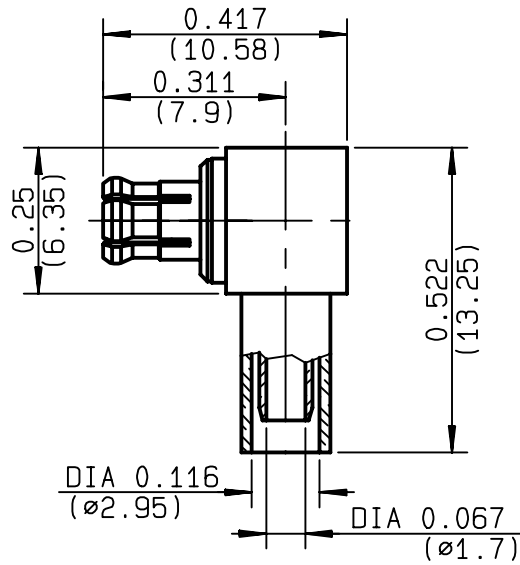


**RIGHT ANGLE PLUG CRIMP TYPE  
CABLE 2.6/75 S**

**R213.182.007**  
**SERIES MCX 75**



NOMINAL IMPEDANCE	<b>75</b> Ω	CABLES : <b>RG 179</b>
FREQUENCY RANGE	<b>0-6</b> GHz	<b>RG 187</b>
TEMPERATURE RATING	<b>-55/+155</b> °C	
V.S.W.R	<b>1.05</b> + <b>.02</b> x F(GHz)Maxi	
RF INSERTION LOSS	<b>0.08</b> √F(GHz) dB Maxi	
VOLTAGE RATING	<b>335</b> Veff Maxi	
DIELECTRIC WITHSTANDING VOLTAGE	<b>750</b> Veff Mini	
INSULATION RESISTANCE	<b>1000</b> MΩMini	OTHERS CHARACTERISTICS
HERMETIC SEAL	<b>NA</b> Atm.cm <sup>3</sup> /s	CABLE RETENTION <b>53</b> N Mini
LEAKAGE (pressurized only)	<b>NA</b>	CENTER CONTACT RETENTION
MECHANICAL DURABILITY	<b>500</b> Cycles	Axial force - mating end <b>10</b> N Mini
WEIGHT	<b>1.85</b> gr	Axial force - opposite end <b>10</b> N Mini
SPECIFICATION		Torque <b>NA</b> cm.N Mini
		RECOMMENDED TORQUES
		Mating <b>NA</b> cm.N
		Panel nut <b>NA</b> cm.N
		Clamp nut <b>NA</b> cm.N

CONNECTOR PARTS	MATERIALS	FINISH	(all values are given ) in micrometers
BODY	BRASS	BBR 2	
OUTER CONTACT	BERYLLIUM COPPER	BBR 2	
CENTER CONTACT	BRASS	GOLD 1.3 OVER NICKEL 2	
INSULATOR	PTFE	-	
GASKET	-	-	
OTHERS PIECES	BRASS	BBR 2	

ISSUE	CREATION DATE	FILE PART-NUMBER
<b>9916A02</b>	<b>23/08/1996</b>	<b>96-1200-002</b>



*Connect to the future*

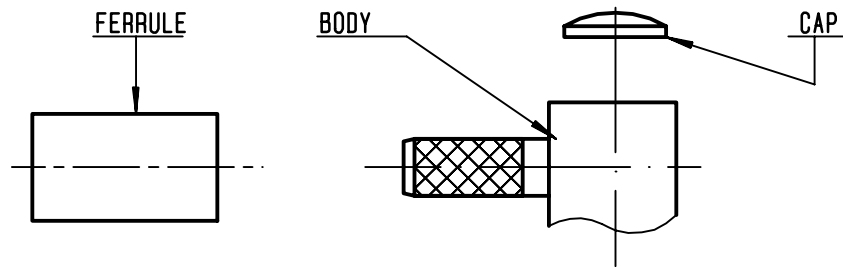
AGRIODOS

The information given here is subject to change without notice.  
Design changes may be in order to improve the product .



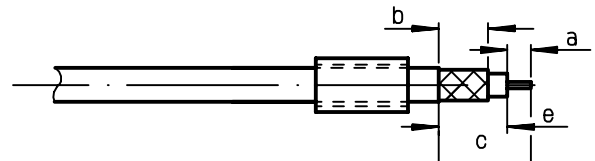
**R213.182.007**

ISSUE 9916A02 SERIES MCX 75



①

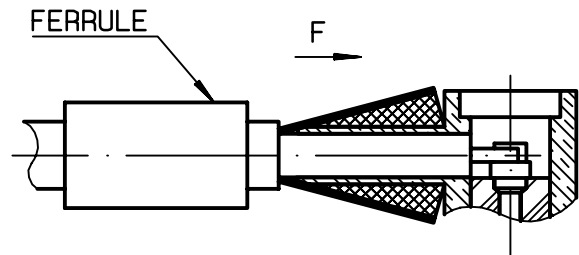
Slide onto the cable the ferrule .  
Strip the cable .  
Tin cable inner conductor  
-



Stripping	a	b	c	d	e
inch	0.067	0.217	0.382	0	0.315
mm	1.7	5.5	9.7		8

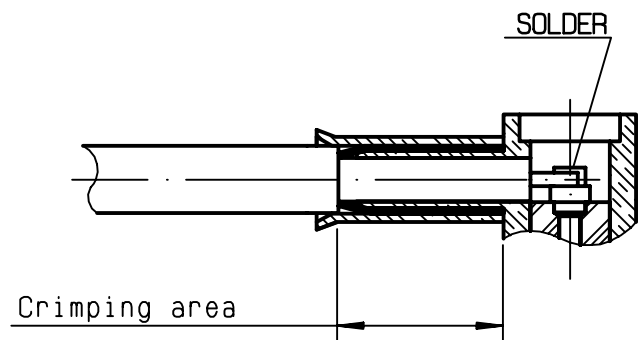
②

Fan the braid .  
Push connector body under the braid .  
Slide the ferrule on the braid  
( in direction F )  
-  
-



③

Crimp the ferrule with crimping tool  
R282.211.000 ( Hex. : 0.127 ) (3.25)  
Solder inner conductor .



④

Place the cap .  
Press cap flush or slightly below surface  
of body assembly .  
-  
-

