


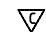
SIGN	DATE	DESCRIPTION	APPROVER
△	05/10'12	The dimension is changed	Runner
△	10/10'13	Add is cULus // update the drawing	Da cheng

THIS IS CAD DRAWING, DO NOT REVISE MANUALLY!!!

Material:

- Item ① Terminal body: Thermoplastic (UL94V-0)
- Item ② Terminal side body: Thermoplastic (UL94V-0)
- Item ③ Terminal lever: Thermoplastic (UL94V-0) Orange RAL2011/P
- Item ④ Female long contact : Brass. Tin Plated.
- Item ⑤ Female short contact : Brass. Tin Plated.
- Item ⑥ Spring clamp : Stainless steel
- Item ⑦ Terminal cover: Thermoplastic (UL94V-0)

- Electrical: cULus
- Voltage rating: 300 V
 - Current rating: 10A
 - Wire range:
 - Solid wire(AWG): 16-26
 - Stranded wire(AWG): 16-26
 - Wire strip length: 8-9 mm
 - Withstanding Voltage: 1.6 KV
 - Operating temperature: -40°C to +115°C
 - Soldering temperature: 260°C ±5°C/5 Sec

- Safety Approval: 
- Critical dimension: 

NI xx 5 0 x 0 xxxx G RoHS compliant (lead<4% In copper Alloy)

No. OF POLES

- △ 01: 1 POLES
- ⋮
- 24: 24 POLES

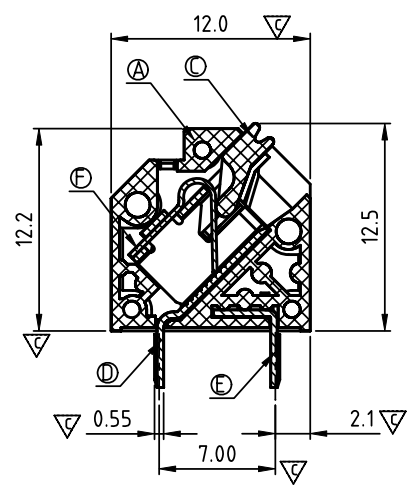
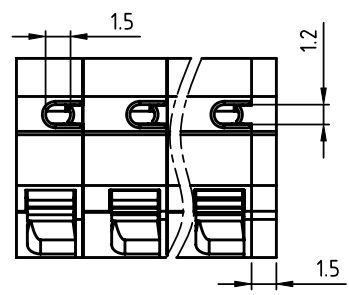
Body Color

- 0 Black (RAL9005)
- 2 Red (RAL3001/D)
- 3 Orange(RAL2011/P)
- 4 Yellow(RAL1018/A)
- 5 Green(RAL6018/T)
- 6 Blue (RAL5015/A)
- 8 Grey(RAL7004/P)
- 9 White(RAL1102)
- C Multiple colors

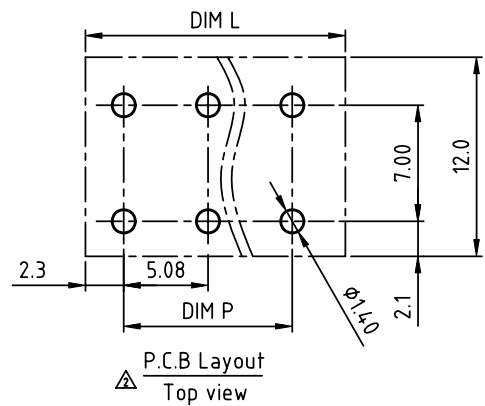
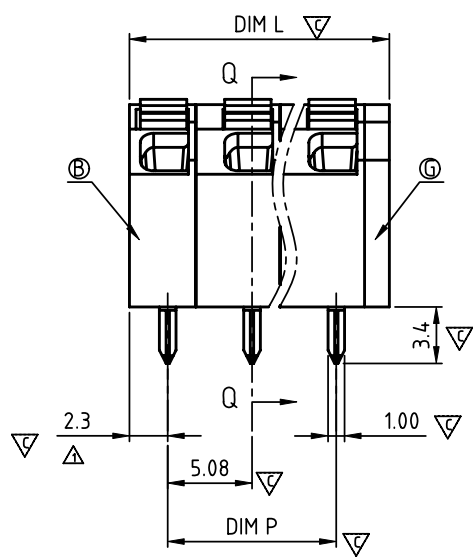
0000: "@ Logo (Standard)

000A: "ANYTEK" Mark

Any special item by customer request. please contact sales department.



SECTION Q-Q



P.C.B Layout Top view

N = Number of poles
 Dim L=(N×5.08)+0.43△
 Dim P=(N-1)×5.08

	Dim L	Dim P
1p	±0.10	△
2-6p	±0.10	
7-12p	±0.20	
13-18p	±0.30	
19-24p	±0.40	

ANYTEK		CUSTOMER COPY		ALL RIGHTS RESERVED. REPRODUCTION OR ISSUE TO THRD PARTIES IN ANY FORM WHATEVER IS NOT PERMITTED WITHOUT WRITTEN AUTHORITY FROM THE PROPRIETOR. PROPERTY OF ANYTEK TECHNOLOGY CO., LTD			
				TITLE: NI 5.08mm Series		PART NO.: Nlxx50x0xxxxG	
APPROVED	CHECKED	DESIGNED	DRAWN	CUST NO.		Tolerance	
		Da cheng 2013.10.10	Da cheng 2013.10.10			X.	±0.50
				UNIT: mm		X.X	±0.30
				SCALE: NONE		X.XX	±0.10
				SHEET: 01/01		X°	±1°
				REV.: C			