

Operator units CDSA

FESTO



Key features



- For mobile commissioning and optimisation
- Integrated reporting system and user administration in combination with the robotics library from Festo
- Interface housing for control cabinet installation and different cable lengths available

Convenient – simple programming with teach-in technology

When creating a motion program, the motion sequence is usually known, but the exact position to be approached, e.g. the gripper or tray position, is not. This can only be determined during commissioning by ensuring the position is approached precisely.

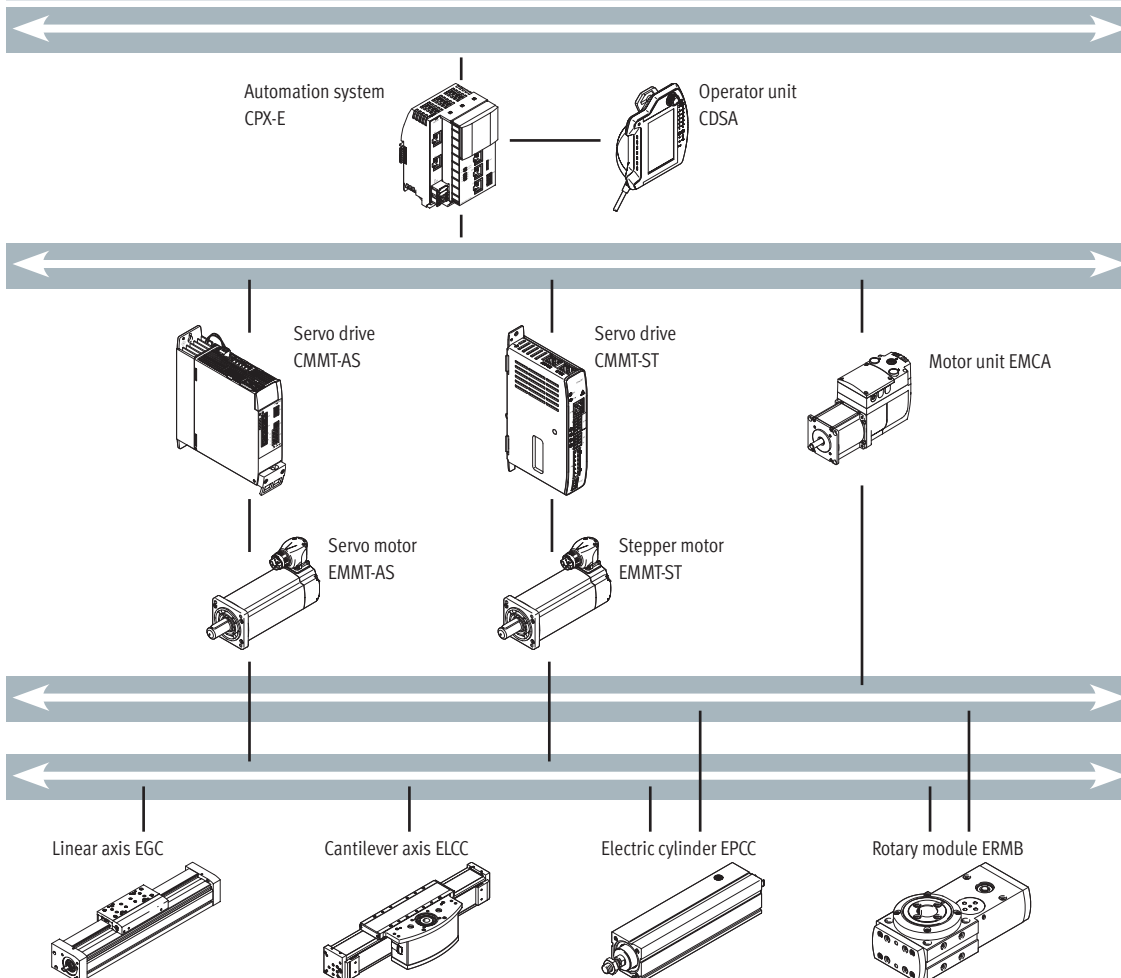
That is why the automation system CPX-E in combination with the operator unit CDSA offers a dialogue-guided software that enables the required positions to be taught in quickly and easily.

Flexibility – mobile operation and monitoring with CDSA

The operator unit CDSA has an emergency-stop switch and a 3-position enabling button. Both pieces of equipment have a 2-channel design and are ready for integration into the customer's safety circuits. The enabling button is used to enable the drive power in setup mode.

In addition to the hardware and ergonomic handle, the CDSA also has a colour touchscreen which can be used in addition to the keyboard to start an action.

Motion control system from Festo



Type codes

001	Series	
CDSA	Operator unit	
002	Device version	
D3	Operator unit C70	
003	Operating mode	
RR	CODESYS remote target visualisation	

Data sheet

General technical data	
Type ID code	CDSA
Control elements	Touch sensitive keyboard; enable control unit; emergency stop button
Display	LCD display; with background illumination
No. of function keys	20
Display size	7"
Display design	Touchscreen
Display resolution	WSVGA, 600x1024 pixels
Number of system LEDs	5
Product weight	950 g

Electrical data	
Type ID code	CDSA
IP address allocation	FCT; DHCP
Operating voltage range DC	19.2 ... 30 V
Nominal operating voltage DC	24 V
Power failure buffering	10 ms
Input current	<= 5.6 A
Electrical power consumption	12 W
Note on current rating at 40°C	10 - 1000 mA at each emergency-stop contact, < 500 mA for enable control unit

Interfaces	
Type ID code	CDSA
USB interface, function	File transfer, software update
USB interface, type of connection	Socket
USB interface, connection technology	USB 2.0 type A
USB interface, number of pins/wires	4
Ethernet interface, function	Diagnostics; network connection to PLC; parameterisation
Ethernet interface, type of connection	Socket
Ethernet interface, connection technology	RJ45
Ethernet interface, number of pins/wires	8
Ethernet interface, transmission rate	100 Mbit/s
Ethernet interface, protocol	TCP/IP

Data sheet

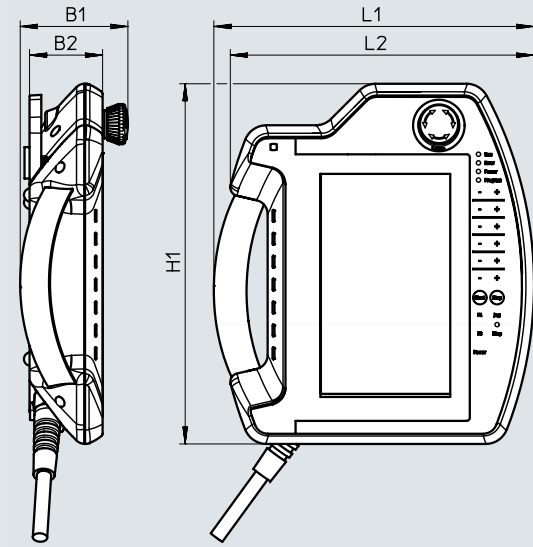
Operating and environmental conditions	
Type ID code	CDSA
Ambient temperature	0 ... 40°C
Storage temperature	-20 ... 70°C
Relative humidity	5 - 95%
Degree of protection	IP65
Note on degree of protection	With USB cover flap closed, in mounted stated
Protection class	III
Nominal altitude of use	<= 2000 m above sea level
CE marking (see declaration of conformity)	To EU EMC Directive
	To EU RoHS Directive
	To EU Machinery Directive
UKCA marking (see declaration of conformity)	To UK instructions for EMC
	To UK instructions for machines
	To UK RoHS instructions
Certification	CCC; RCM compliance mark; c UL us - Listed (OL)
KC mark	KC EMC
Certificate issuing authority	UL E239998
KC certification number EMC/radio	R-R-FTO-KC-2020-1041
Corrosion resistance class CRC	0 - No corrosion stress

Materials	
Type ID code	CDSA
Housing material	ABS
Note on materials	Contains paint-wetting impairment substances, RoHS-compliant

Data sheet

Dimensions

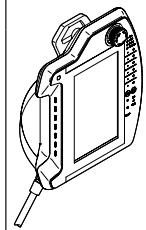
Download CAD data → www.festo.com



Type	B1	B2	H1	L1	L2
[mm]					
CDSA-D3-RV	75	52	251	223	211

Ordering data

	Description	Part no.	Type
		8126915	CDSA-D3-RV

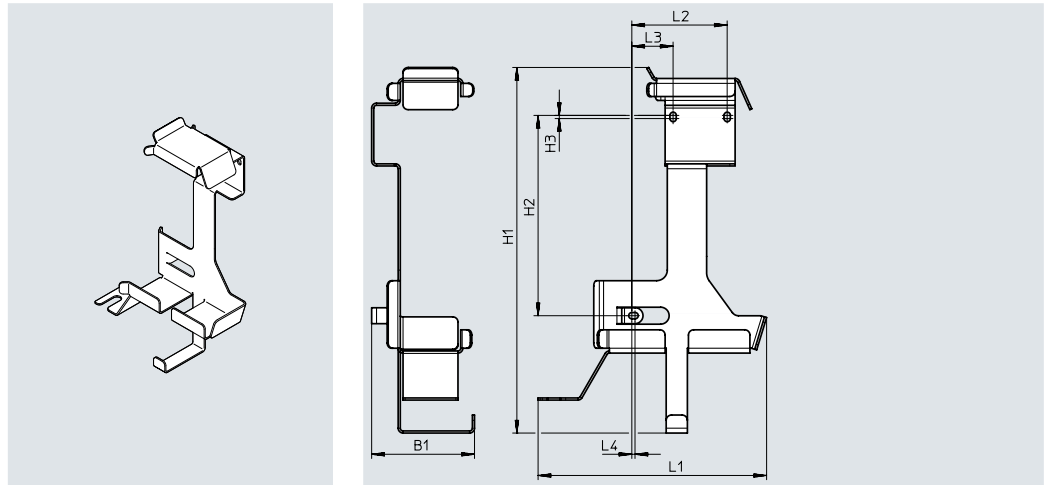


Accessories

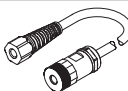
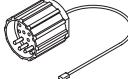
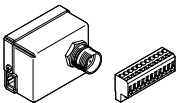
Holder CAFM

Material:
Steel, powder-coated

Used for stationary operation or for storing the handheld terminal



Dimensions and ordering data											
For \varnothing [mm]	B1	H1	H2	H3	L1	L2	L3	L4	Weight [g]	Part no.	Type
CDSA-D3-RV	97	345	188.9	3	215	89.9	38.9	3	749	8127358	CAFM-D4-W

Ordering data			
Description		Part no.	Type
Connecting cable			
	Resistant to water, cleaning agents (alcohols and detergents), oils, greases and lubricants.	8126916	NEBC-R3Z12G20-KH-5-N-SBS-RSG17-ET-S1
		8126917	NEBC-R3Z12G20-KH-10-N-SBS-RSG17-ET-S1
		8126918	NEBC-R3Z12G20-KH-15-N-SBS-RSG17-ET-S1
Plug			
	Used to bridge the emergency stop circuit when the operator unit is disconnected	555676	CAMF-B-M25-G4
Interface housing			
	<ul style="list-style-type: none"> Used to connect a handheld terminal to a controller with the connecting cable NEBC The 11-pin power strip is included in the scope of delivery 	552116	CAMI-C

Festo - Your Partner in Automation



1 Festo Inc.
5300 Explorer Drive
Mississauga, ON L4W 5G4
Canada

Festo Customer Interaction Center
Tel: 1 877 463 3786
Fax: 1 877 393 3786
Email: customer.service.ca@festo.com

2 Festo Pneumatic
Av. Ceylán 3,
Col. Tequesquináhuac
54020 Tlalnepantla,
Estado de México

Multinational Contact Center
01 800 337 8669
ventas.mexico@festo.com

3 Festo Corporation
1377 Motor Parkway
Suite 310
Islandia, NY 11749

Festo Customer Interaction Center
1 800 993 3786
1 800 963 3786
customer.service.us@festo.com

4 Regional Service Center
7777 Columbia Road
Mason, OH 45040

Connect with us



www.festo.com/socialmedia



www.festo.com

Subject to change