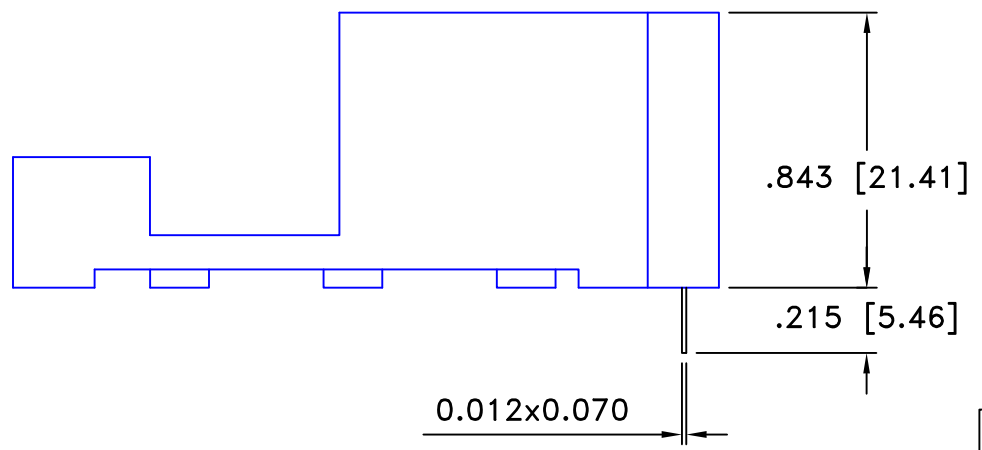
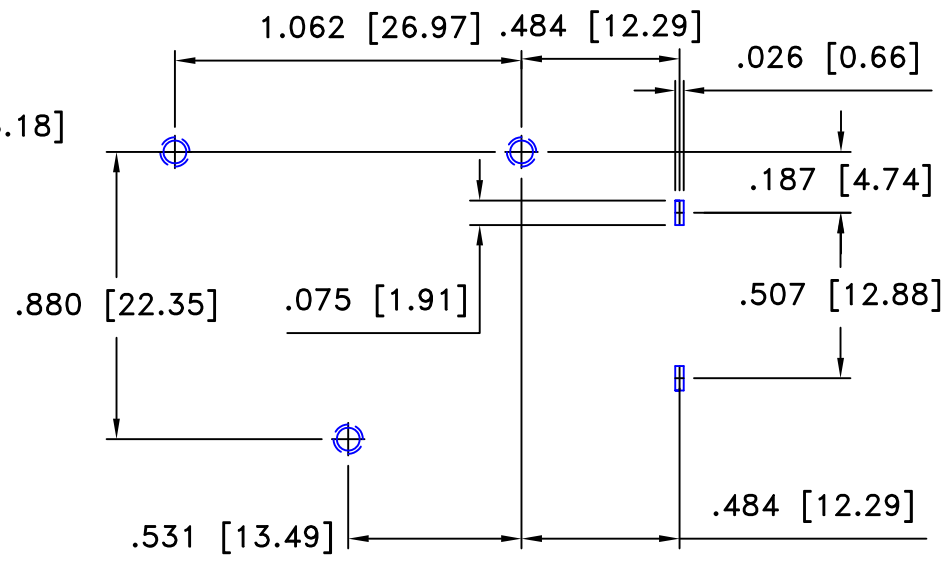
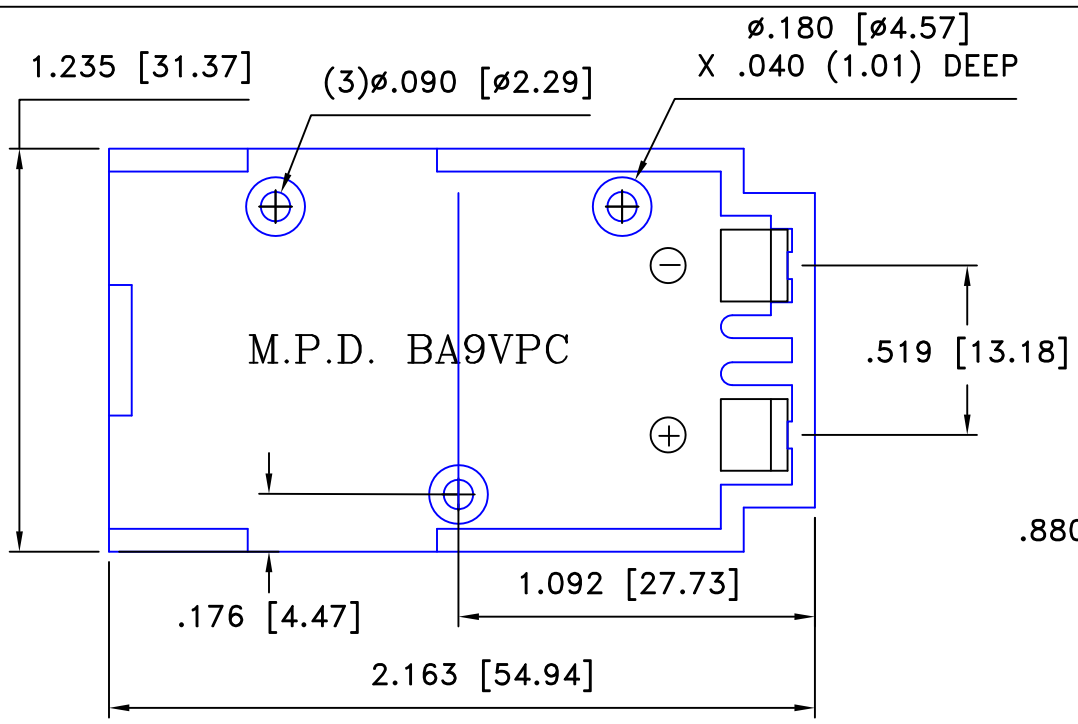


Date	SYM	REVISION RECORD	AUTH	DR.	CK.
05/01/04	C	ADDED DIM. Ø.176 AND 1.092 UPDATED CONTACT MATERIAL	T.B.	B.S.	
10/28/06	D	ADDED "ROHS COMPLIANT"	T.B.	B.S.	
06/16/17	E	REMOVED COMPONENT'S PART NUMBERS	T.B.	B.S.	




PCB LAYOUT

MOUNTING INSTRUCTION:
 USE 2-56 MACHINE SCREWS OR
 EYELETS 0.089" OD BY 0.15" FLANGE
 STIMPSON GS-3 SERIES OR EQUIVALENT
 ALSO ADHESIVES AND DOUBLE SIDED
 TAPES WORK WELL.

NOTE:
 ROHS COMPLIANT

FEATURES REVERSE POLARITY PROTECTION

Tolerance (Except as noted)	 Memory Protection Devices, Inc 200 Broad Hollow Road, Farmingdale, New York 11735		
decimal ±.5 (.020)		Scale 2=1	Drawn By T.S. Approved By T.B.
Fractional ± .8 (.030)	Title BA 9V PC ASSEMBLY		
Angular ± 3°	Date 06/16/17	Drawing Number BA9VPC	

QTY REQ'D	DESCRIPTION	MATERIAL
1	BA 9V PC HOLDER	HIGH IMPACT ABS BLACK, UL940-0 File No.E56070(S)
2	BC 9V PC LEAF CONTACT	PHOSPHOR BRONZE, .012" THICK NICKEL PLATED OVER ALL