

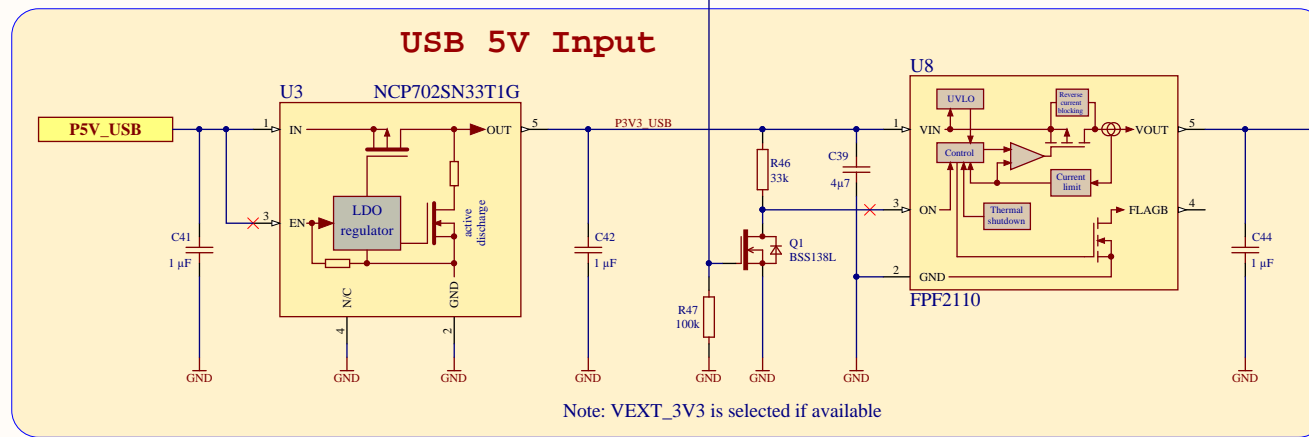
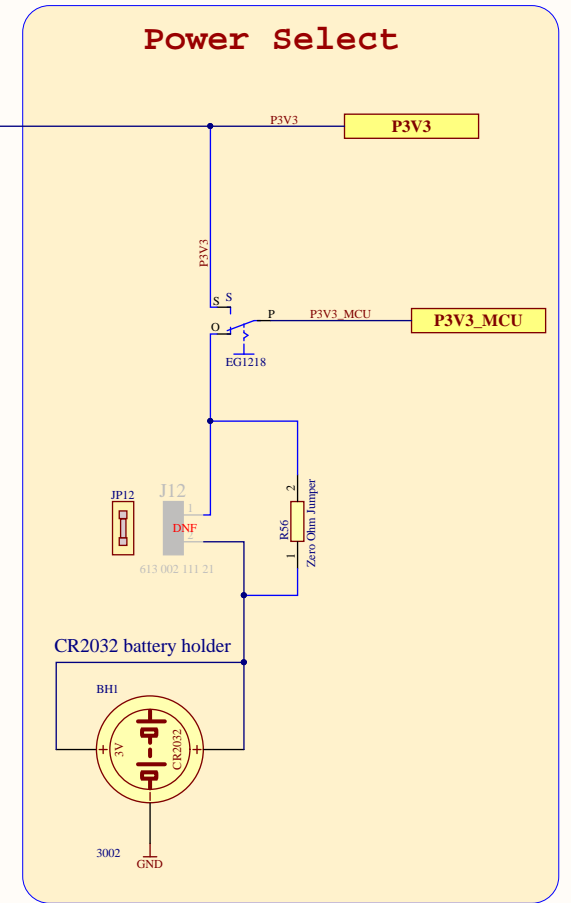
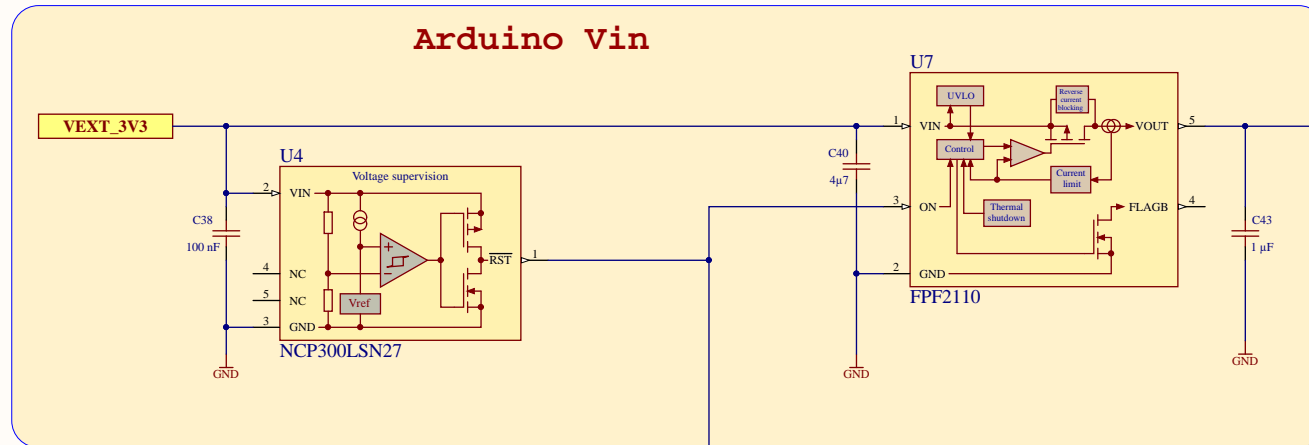
AXM0F343-256-915-1-GEVB		Assembly variant:	State:
Top level diagram		AXM0F343-256-915-1-GEVB	Review
Revision: 4.0	Repository revision:		
Engineer: Lucas Lupifieri	01/12/2020		
File: AXM0F343_XXX_XXX_1_GEVB.SchDoc	1/6		
		ON Semiconductor Wireless Connectivity Solutions	



AXM0F343 Power

Arduino Vin

Power Select

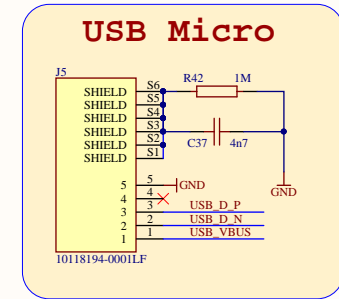
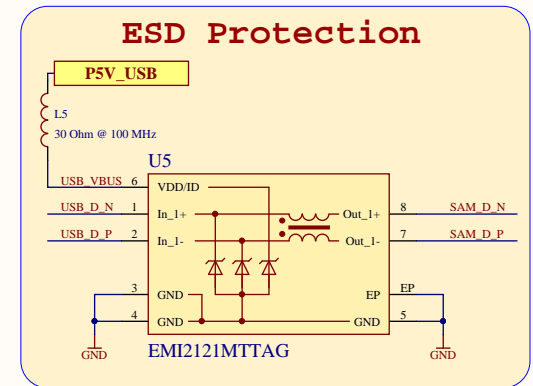
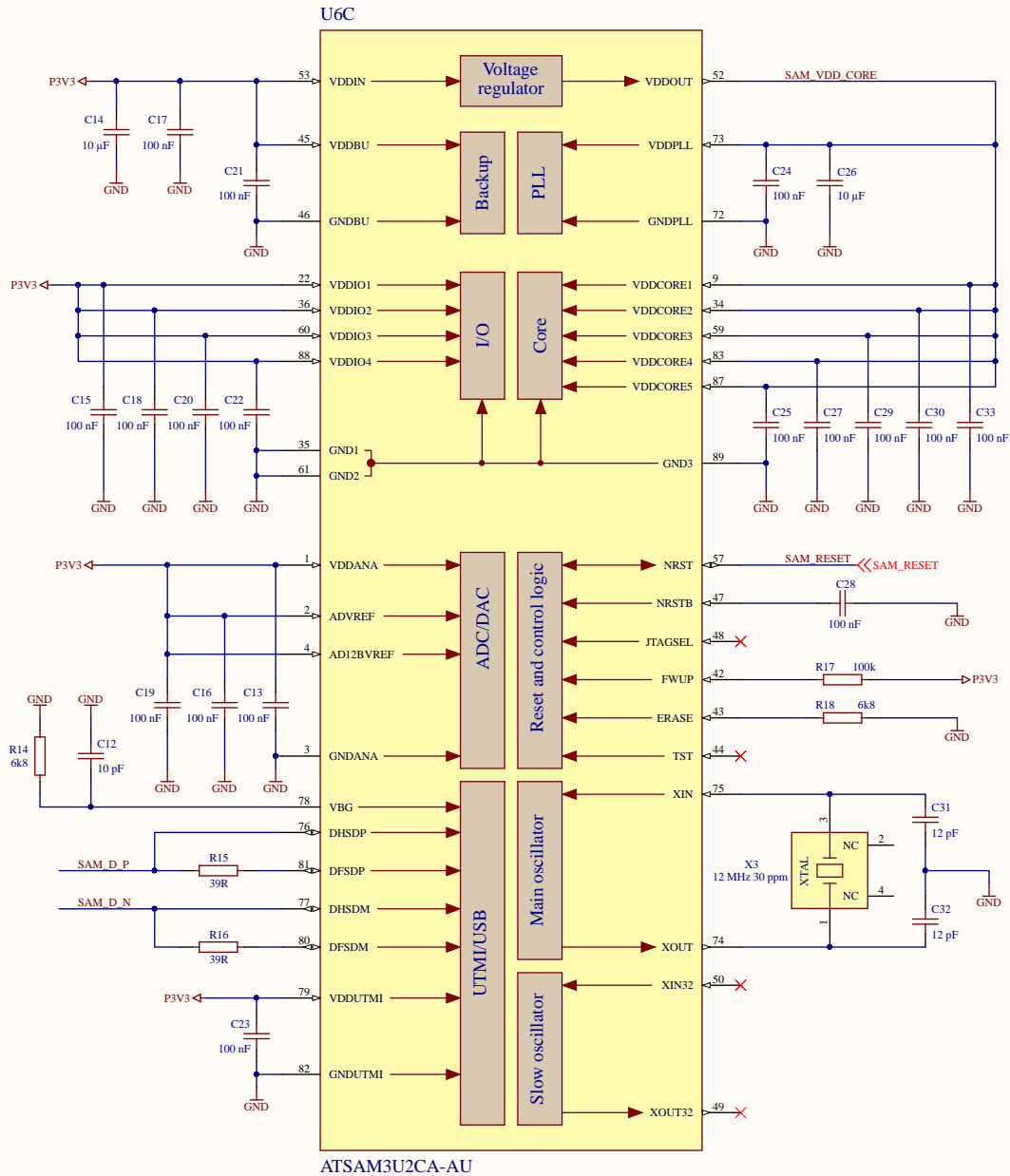


Note: VEXT_3V3 is selected if available

AXM0F343-256-915-1-GEVB		Assembly variant:	State:
Board power supply		AXM0F343-256-915-1-GEVB	Review
Revision: 4.0	Repository revision:		
Engineer: Lucas Lupifier	01/12/2020	ON Semiconductor	
File: AXM0F343_XXX_XXX_1_GEVB_power.SchDoc	2/6	Wireless Connectivity Solutions	

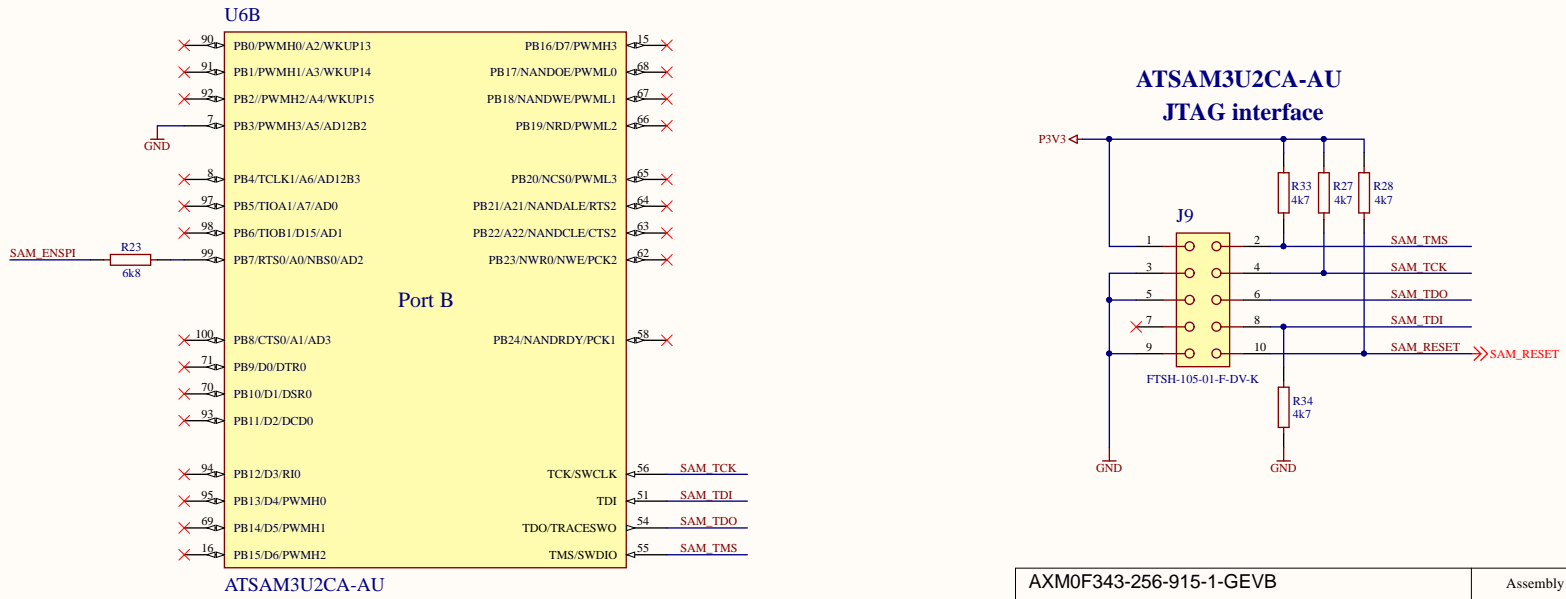
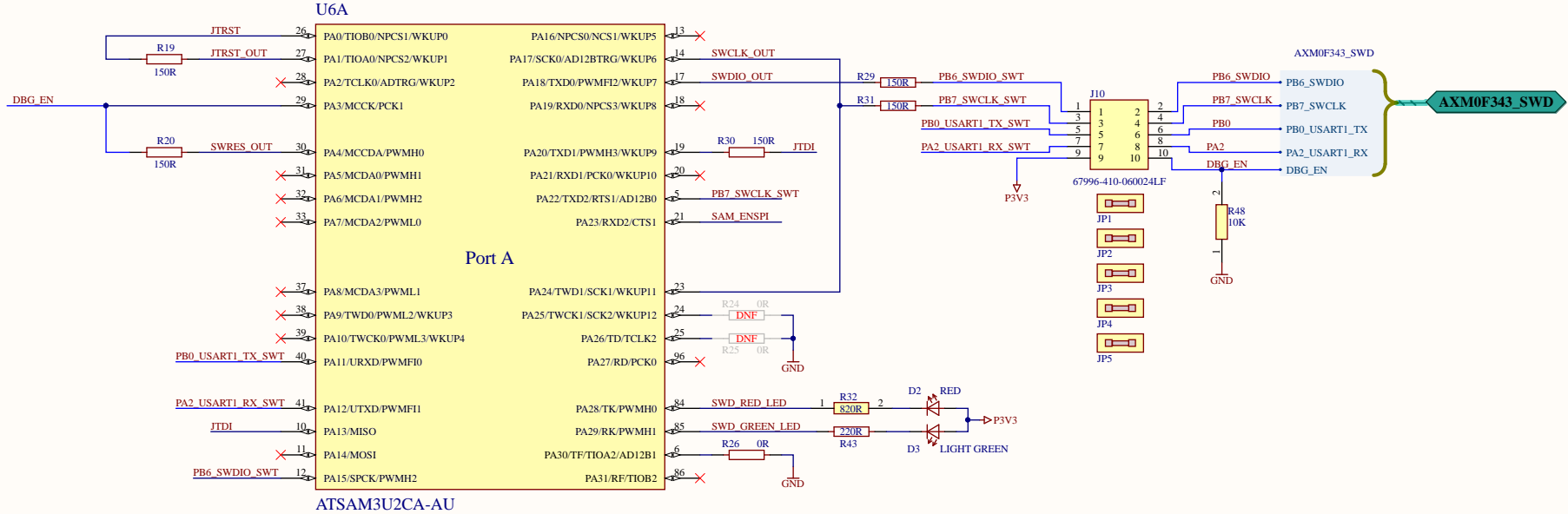


JLink On-Board Power



AXM0F343-256-915-1-GEVB SW debugger - USB and power supply		Assembly variant:	State:
Revision: 4.0	Repository revision:	AXM0F343-256-915-1-GEVB	Review
Engineer: Lucas Lupifier	04/12/2020	ON Semiconductor	
File: SWD_power_supply.SchDoc		Ultra Low Power - QCS	

JLink On-Board Signals

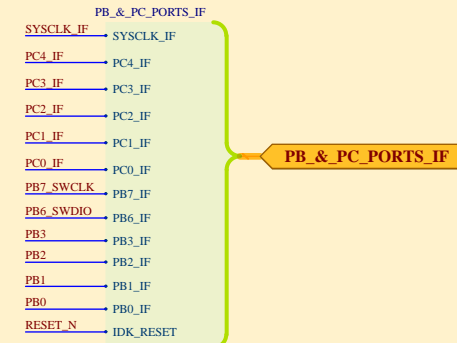
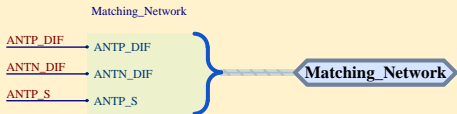
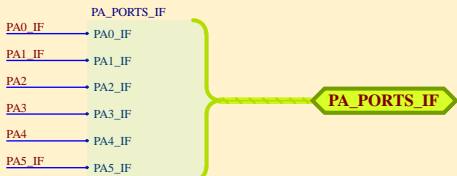
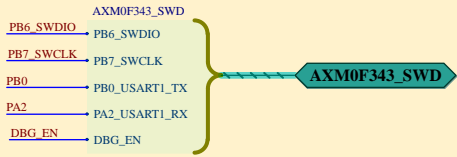


AXM0F343-256-915-1-GEVB		Assembly variant:	State:
SW debugger - signals		AXM0F343-256-915-1-GEVB	Review
Revision: 4.0	Repository revision:	ON Semiconductor	
Engineer: Lucas Lupifier	18/12/2020	Ultra Low Power - QCS	
File: SWD_signals.SchDoc		4/6	

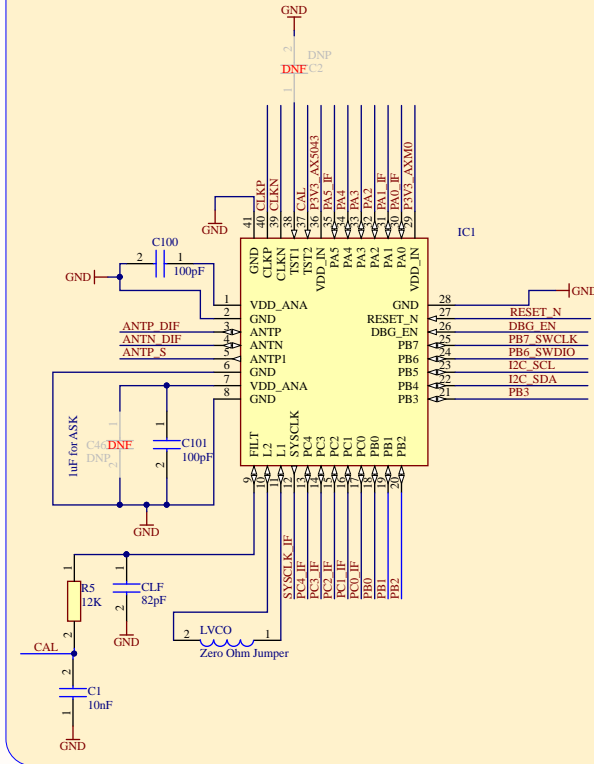


AXM0F343 Core

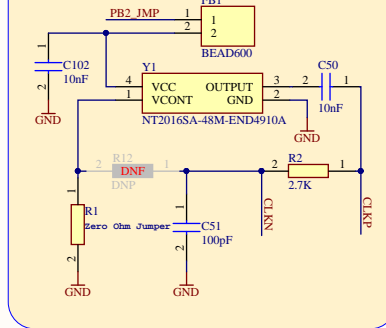
Signal Ports



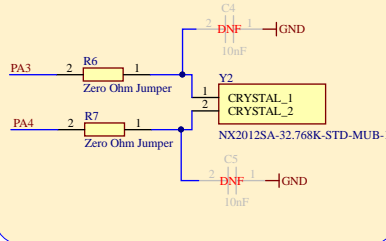
AXM0F343



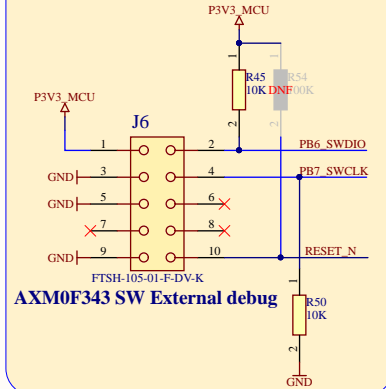
TCXO



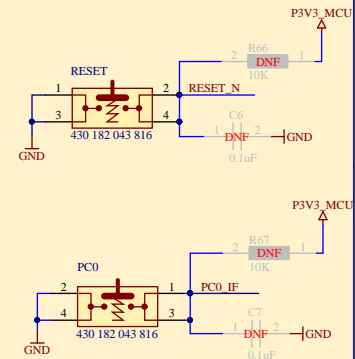
Crystal



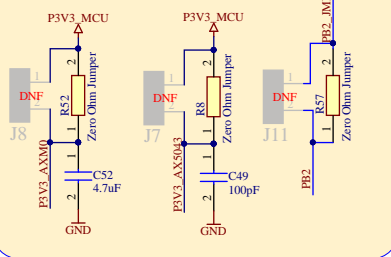
External JLink



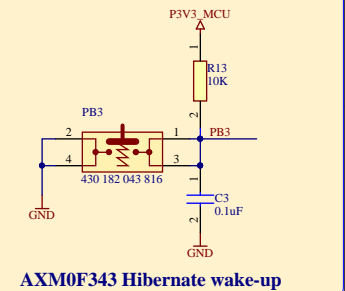
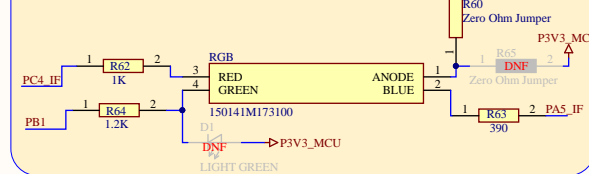
Push Buttons



I Monitor



RGB LED



AXM0F343-256-915-1-GEVB

AXM0F343-64-915-1 - signals

Revision: 4.0 Repository revision:

Engineer: Lucas Lupifieri 14/04/2021

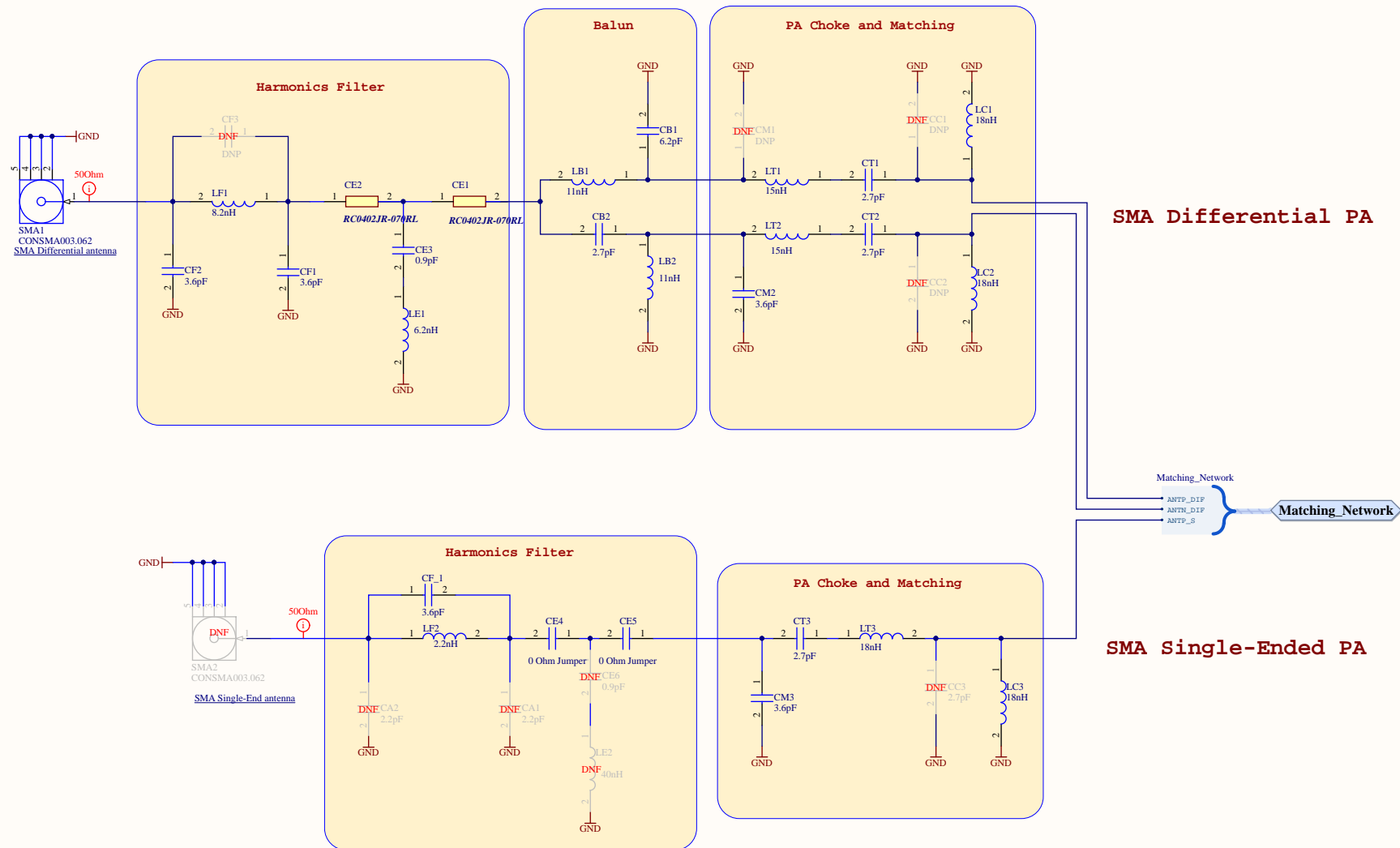
File: AXM0F343_XXX_XXX_1_GEVb_signals.SchDoc 5/6

Assembly variant: AXM0F343-256-915-1-GEVB Review

ON Semiconductor
Wireless Connectivity Solutions

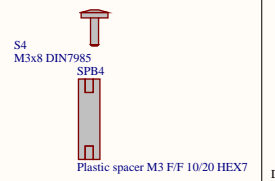
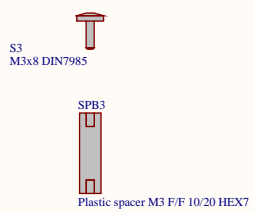
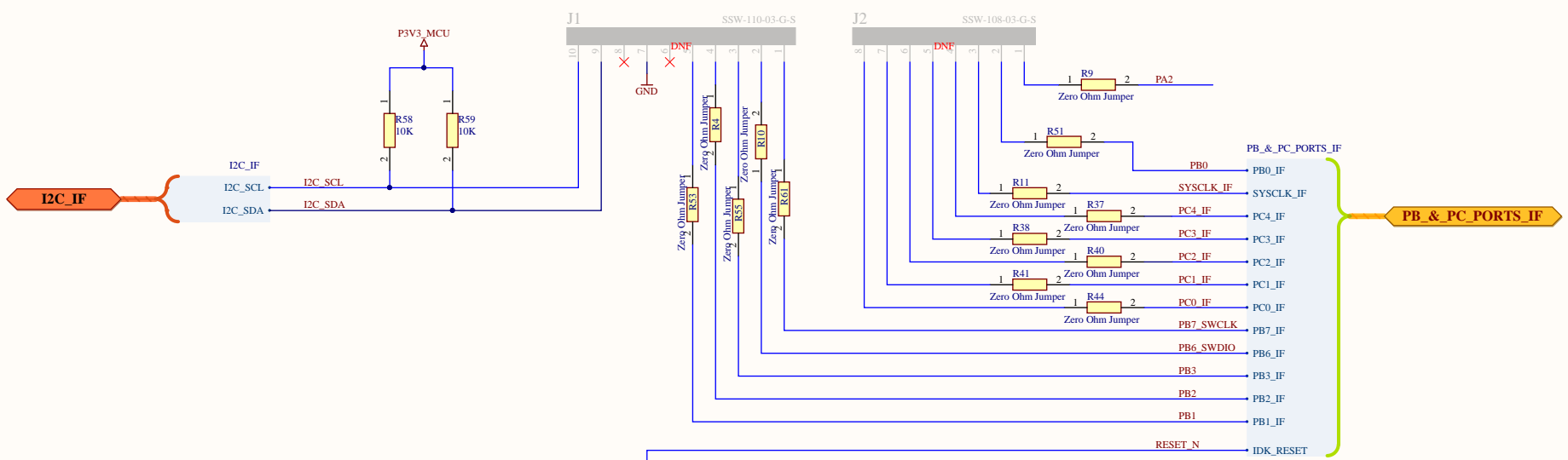
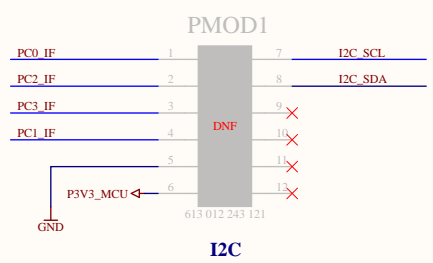
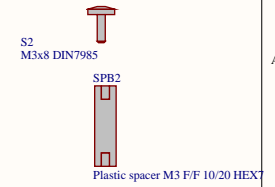
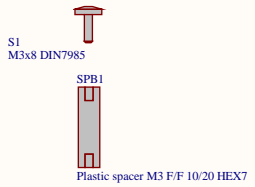


ANTENNA Matching Network



AXM0F343-256-915-1-GEVB		Assembly variant:	State:
AXM0F343-64-915-1 - signals		AXM0F343-256-915-1-GEVB	Review
Revision: 4.0	Repository revision:		
Engineer: Lucas Lupifier	14/04/2021		
File: AXM0F343_XXX_XXX_1_GEVB_rf.SchDoc	5/6	ON Semiconductor	
		Wireless Connectivity Solutions	





AXM0F343-256-915-1-GEVB Connection to IDK platform		Assembly variant: AXM0F343-256-915-1-GEVB	State: Review
Revision: 4.0	Repository revision:		ON Semiconductor
Engineer: Lucas Lupifier	01/12/2020		
File: IDK_connection.SchDoc	6/6		
			Ultra Low Power - QCS

