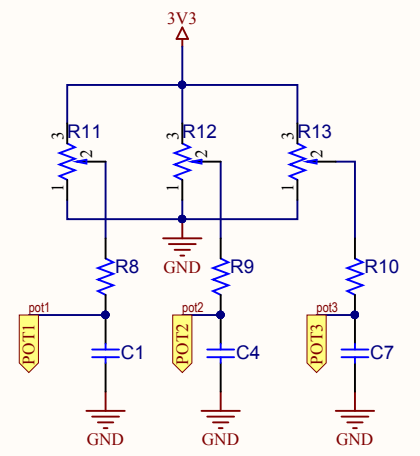
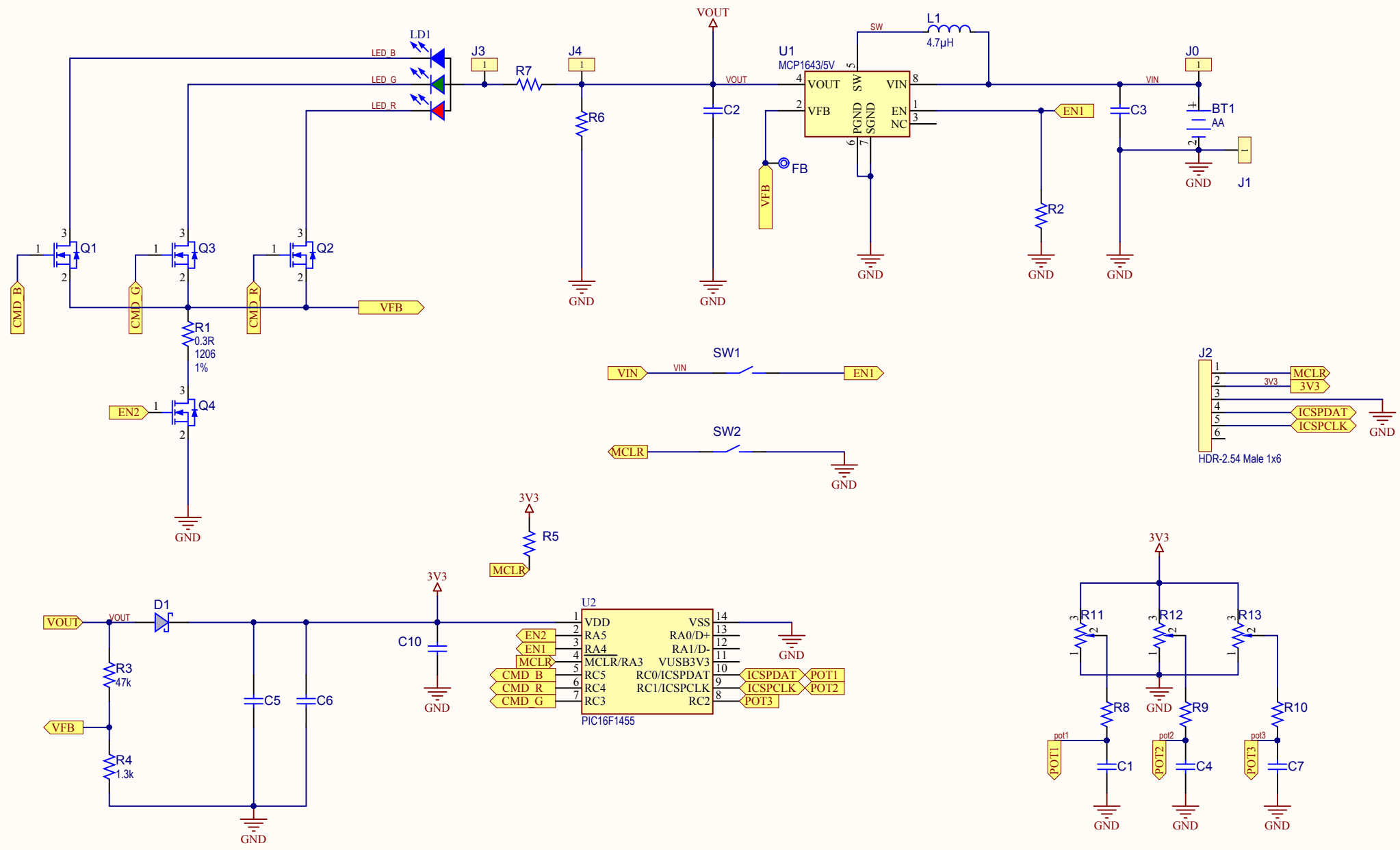


REV	ECO#	DESCRIPTION	DATE



Drawn By: Catalin Bibirica	
Engineer: Catalin Bibirica	
PartNumber: ADM00612	Project Title: MCP1643 RGB LED Driver Demo Board
Sheet Title: MCP1643 RGB LED Driver Demo Board	<i>Designed with</i>
Size: B	Sch #:03-10338 Date: 11/11/2015 5:29:47 PM
	Revision:1 Sheet 1 of 1
File: MCP1643 RGB LED.SchDoc	