

Product End Of Life Notification		Date July 12, 2019
Product	Select Accessories used on Serial Server Products Notice # 190712-01	

Reason for Change:

<input type="checkbox"/> Technical Requirement	<input type="checkbox"/> Product Transition
<input type="checkbox"/> Customer Requirement	<input checked="" type="checkbox"/> Product Discontinuation
<input type="checkbox"/> Quality Improvement	<input type="checkbox"/> Product Enhancement
<input type="checkbox"/> Change of Production Location	<input type="checkbox"/> Other (Brand Change)

Audience	All distributors and direct customers
Reason for change	<p>Digi is discontinuing various accessories due to slowing sales, discontinued product or standard component replacements.</p> <p>The Serial Screw Terminal and Power Screw Terminal part numbers are used on the Digi One IA/IAP and IAP Haz products. These screw terminal parts are standard components that can be purchased from your component supplier. Part numbers are provided in appendix.</p> <p>The Power accessories are used on the Digi One SP products. Demand has slowed for these accessory options.</p> <p>The Bracket accessories were for the PortServer TS 16 and Digi CM that are discontinued Digi products and are no longer available.</p> <p>This is an ongoing effort to streamline and consolidate our product offerings to focus on consistent product availability while maintaining our high quality.</p>



Discontinued Part Numbers	<p>76000650 Serial Screw Terminal for Digi One IA, IAP and IAP HAZ</p> <p>76000651 Power Screw Terminal for Digi One IA, IAP and IAP HAZ</p> <p>76000666 Power cord; non-locking barrel to bare wire for Digi One SP</p> <p>76000737 12VDC Wall Mount Power Supply w/ non-locking barrel for Digi One SP (North America only)</p> <p>76000776 PortServer TS/Digi CM 16/32 Rack Bracket Kit 19"</p> <p>76000689 PortServer TS/Digi CM 16/32 Rack Bracket Kit 23"</p>
Replacement Part Numbers	See details in Appendix.

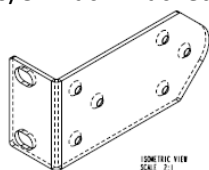
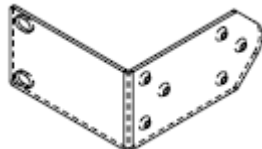
Timing of Change	<p>Last time buy (LTB) orders must be received by: September 6, 2019</p> <p>Last time shipment date (LTS): September 30, 2019</p>
-------------------------	---




EOL Terms and Conditions	<ul style="list-style-type: none"> All LTB Purchase Orders are non-cancellable & non-returnable (NCNR) and subject to final allocation and order confirmation. Digi reserves the right to make shipments against the total quantity ordered as material becomes available. Standard warranty policy will apply.
Notes/Actions	Screw terminal items are standard components.

Last Time Buy Parts	None
Quality Issues	None
Authorization	Kim Knutsen, Sr. Product Manager, Digi International

Appendix:

Discontinued Part #	Description	Component Part # Replacement	LTB Date
76000650	Digi Serial Screw Terminal for DOIA/IAP 	1847194 supplied by Phoenix Contact	9/06/2019
76000651	Digi Power Screw Terminal for DOIA/IAP 	1827703 supplied by Phoenix Contact	9/06/2019

Discontinued Part #	Description	Replacement Part #	Description	LTB Date
76000776	PortServer TS/Digi CM 16/32 Rack Bracket Kit 19" 	None	--	9/06/2019
76000689	PortServer TS/Digi CM 16/32 Rack Bracket Kit 23" 	None	--	9/06/2019

Discontinued Part #	Description	Replacement Part #	Description	LTB Date
76000666	Power cord; non-locking barrel to bare wire for Digi One SP 	None	--	9/06/2019
76000737	12VDC Wall Mount Power Supply w/ non-locking barrel for Digi One SP (North America only) 	76000738	12VDC Wall Mount Power Supply w/ non-locking barrel plus plug adapters for Digi One SP 	9/06/2019