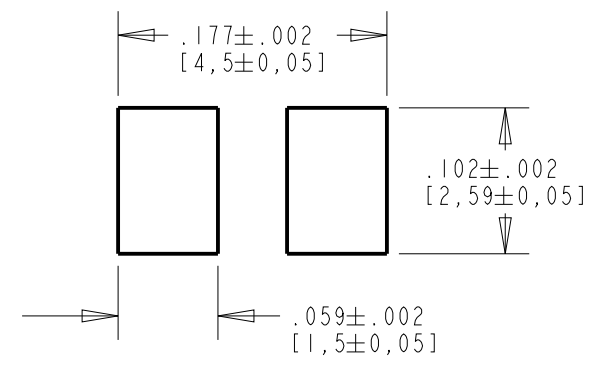
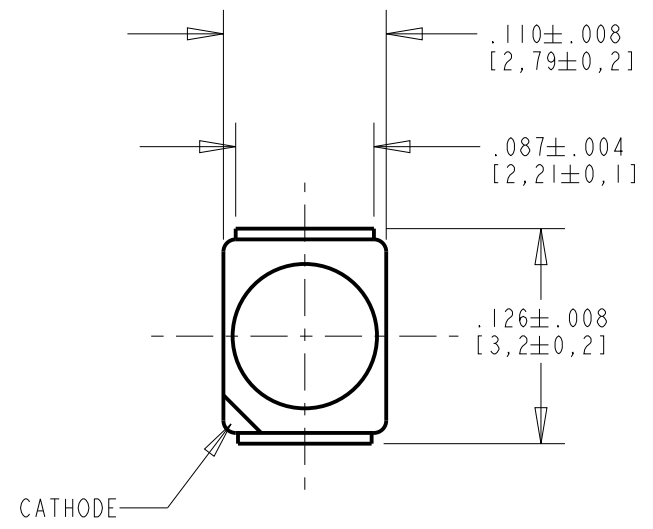
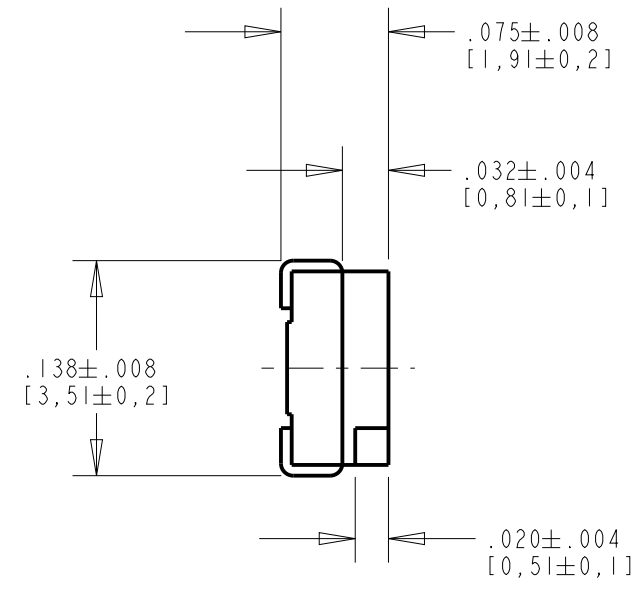
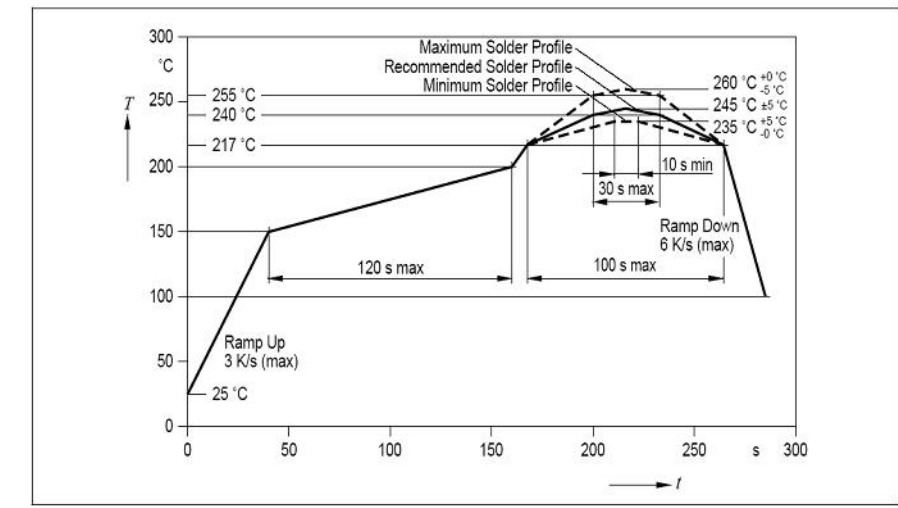


REV	ECN NO	REVISIONS	DRN	CKD	APP	DATE
A		NEW RELEASE	RSK	WFB	N.O.	4-1-15



RECOMMENDED SOLDER PAD LAYOUT



REFLOW PROFILE FOR ROHS COMPLIANT PARTS

OPERATING CHARACTERISTICS AT 25° C AMBIENT

LED CHARACTERISTICS	MIN.	TYP.	MAX.	UNITS	TEST CONDITIONS
LUMINOUS INTENSITY	14		35	mcd	$I_F = 10 \text{ mA}$
FORWARD VOLTAGE	2.7	3.1	3.7	V	$I_F = 10 \text{ mA}$
REVERSE CURRENT			10	$\mu\text{A}$	$V_R = 5 \text{ V}$
PEAK WAVELENGTH		466		nm	
DOMINANT WAVELENGTH	465	471	477	nm	
2 X 1/2-INTENSITY ANGLE		120		DEGREES	



**ATTENTION:**  
OBSERVE PRECAUTIONS FOR  
HANDLING ELECTROSTATIC  
SENSITIVE DEVICES

ABSOLUTE MAXIMUM RATINGS AT 25° C AMBIENT

POWER DISSIPATION	80 mW
CONTINUOUS FORWARD CURRENT	20 mA
PEAK REVERSE VOLTAGE	5 V
REFLOW SOLDERING TEMPERATURE FOR 5 SEC	260°C
OPERATING AND STORAGE TEMPERATURE	-40 °C TO +100 °C

- NOTES:
- EPOXY COLOR: WATER CLEAR.
  - DIE: InGaN.
  - LEADS: TIN PLATING (Sn) 8.0±2.0 MICROMETERS OVER (Ni) NICKEL, 0.5-1.0 MICROMETERS OVER COPPER ALLOY
  - SOLDER ADHERANCE: BOTH LEADS PER MIL-STD-202E, METHOD 208C.
  - SUFFIX -202F FOR 20-PCS ON A SAMPLE TAPE STRIP.
  - SUFFIX -207F FOR 180 mm DIA. REEL, 8 mm WIDE TAPE, PACKAGED 2000-PCS PER REEL WITH A PITCH OF 4 mm.
  - DEVICES POSITIONED ON REEL WITH CATHODE SIDE TOWARDS SPROCKET.
  - DIALIGHT P/N: 597-3601-202F, 597-3601-207F.
  - TAPE AND REEL LEDS MAY REQUIRE RE-TAPING AFTER TWELVE MONTHS.
  - PRODUCT P/N WITH "F" SUFFIX ENDING IS ROHS COMPLIANT. DIALIGHT P/Ns 597-3601-202F & 597-3601-207F LEDS HAVE LEADS PLATED WITH PURE TIN (Sn). SEE NOTE 3
  - THIS ASSEMBLY CONTAINS ELECTROSTATIC DISCHARGE SENSITIVE DEVICES (ESDS). MAINTAIN ALL PRECAUTIONARY MEASURES DURING ASSEMBLY, HANDLING AND STORAGE IN ACCORDANCE WITH IPC-A-610.

THIS DRAWING AND THE CONTENTS HEREIN ARE CONFIDENTIAL AND THE SOLE PROPERTY OF DIALIGHT. REPRODUCTION OF THIS DRAWING OR CONSTRUCTION OF ANY PARTS WITHIN THIS DRAWING ARE FORBIDDEN WITHOUT THE WRITTEN CONSENT OF DIALIGHT.

SCALE: DRAWING SCALE ALL DIM'S IN: INCHES (MM)	DRAWING NUMBER C-18166	REV A
TOLERANCES: UNLESS OTHERWISE SPECIFIED	TITLE BLUE SMT LED	MATERIAL
FRACTIONS: ±1/64 DECIMALS (.XX): ±.01 DECIMALS (.XXX): ±.005 DECIMALS (.XXXX): ±.0005 ANGLES: ±1°	FINISH:	Dialight 1501 ROUTE 34 SOUTH FARMINGDALE, NJ 07727
FSCM 83330	SHEET 1 OF 1	FAMILY TABLE: