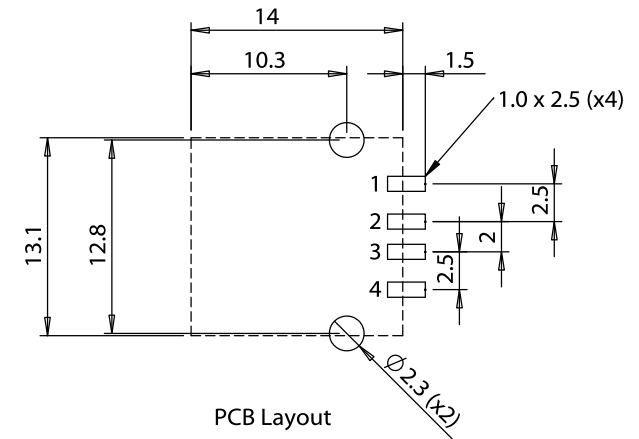
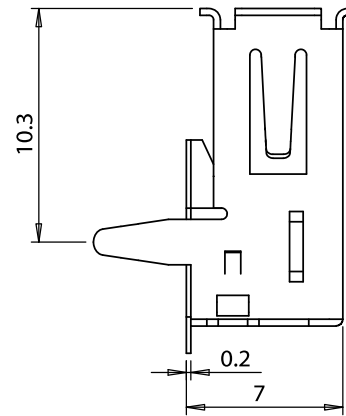
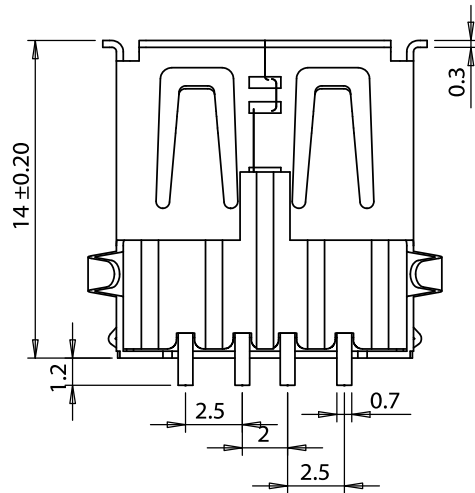
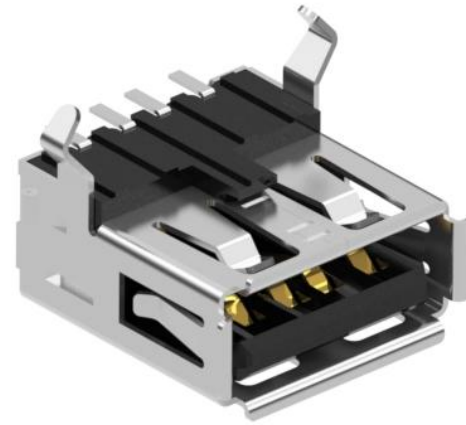
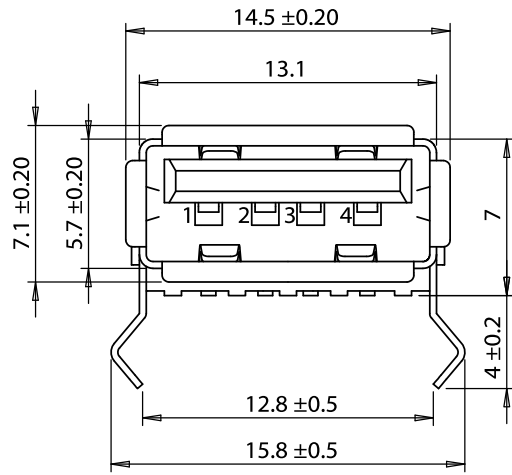


USB A jack 90° SMT mount



Revision:	Date:	Description:	Prepared:	Notes:	<h1>TENSILITY</h1> <p>tel 1.541.323.3228 800 877.670.7118 fax 1.541.323.4202 web tensility.com</p>
A	09/28/2015	Initial release	AG <small>Digitally signed by AG Date: 2018.09.05 13:54:16 +07'00'</small>	RoHS compliant	
A1	07/24/2018	Corrected operating temp range	Verified: PS <small>Digitally signed by PS Date: 2018.09.05 14:03:31 -07'00'</small>	Function test: no open, no short circuit, no intermittent	
A2	9/4/2018	Changed insulator material	Dimensions are in millimeters. Tolerances: X: ± 0.5 mm X.X: ± 0.3 mm X.XX: ± 0.05 mm	Description: Connector, USB A jack, SMT mount, 90°, nickel shell, board lock, black insulator, tray	Size: A Part number: 54-00003
					Scale: 2:1
					Sheet 1 of 2

Materials

- 1. Shell, steel, nickel plated
- 2. Pins, brass, 5 μ" gold and tin plating
- 3. Insulator, PA46, black

Electrical

Rated voltage: 30 Vdc
 Rated current: 3 A
 Dielectric strength: 500 Vac for 1 min without damage
 Insulation resistance: 500 MΩ after 500 Vdc for 1 min
 Contact resistance: 50 mΩ or less

Mechanical

Insertion force: 3.5 kgf maximum
 Withdrawal force: 1.0 kgf minimum
 Durability: 1500 cycles unloaded, while maintaining:
 Contact resistance: 100 mΩ,
 Insulation resistance: 100 MΩ
 Dielectric strength: 100 Vac for 1 min without damage
 Terminal strength: 0.3 kgf in any direction for 15 seconds without damage or looseness

Soldering

Solderability: 75% minimum coverage when terminals dipped 2 mm in 255 ±5 °C solder bath for 3 ±0.5 seconds
 Solder bath durability: no deformation when immersed in 260 ±5 °C up to surface of the board for 5 seconds or less
 Solder iron durability: no deformation when exposed to 350 ±10 °C for 3 ±0.5 seconds

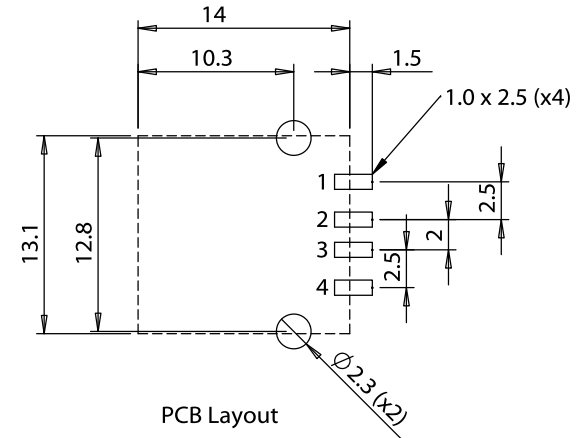
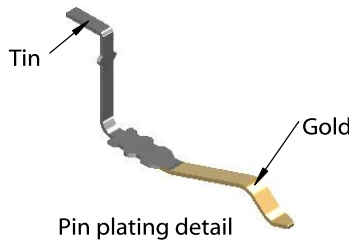
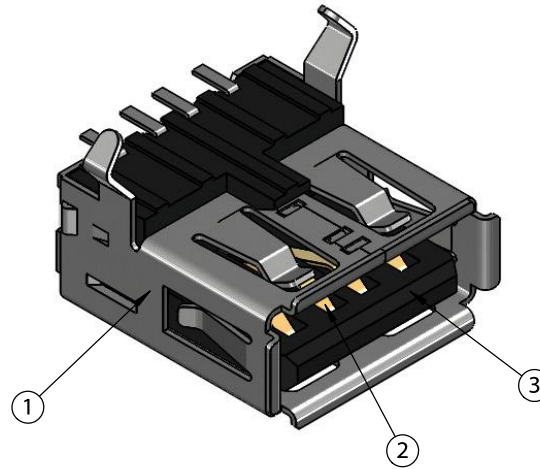
Environmental

Cold test: -40 ±3 °C for 48 hours without deformation
 Heat test: 85 ±2 °C for 48 hours without deformation
 Humidity test: 40 ±2 °C and humidity between 90 and 98 % for 48 hours without deformation

Operating range

-40 ~ 85 °C

USB A jack 90° SMT mount



Revision:	Date:	Description:	Prepared:	Notes:	<h1>TENSILITY</h1> tel 1.541.323.3228 800 877.670.7118 fax 1.541.323.4202 web tensility.com
A	09/28/2015	Initial release	AG <small>Digitally signed by AG Date: 2018.09.05 13:54:30 -0700</small>		
A1	07/24/2018	Corrected operating temp range	Verified:	Function test: no open, no short circuit, no intermittent	Size: Part number: A 54-00003
A2	9/4/2018	Changed insulator material	PS <small>Digitally signed by PS Date: 2018.09.05 14:01:30 -0700</small>		
			Dimensions are in millimeters. Tolerances: X: ± 0.5 mm X.X: ± 0.3 mm X.XX: ± 0.05 mm	Description: Connector, USB A jack, SMT mount, 90°, nickel shell, board lock, black insulator, tray	Scale: 2:1
					Sheet 2 of 2