

4

3

2

1

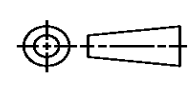

THIS DRAWING IS UNPUBLISHED. RELEASED FOR PUBLICATION  
 © COPYRIGHT ALL RIGHTS RESERVED.

LOC	DIST	REVISIONS			
P	LTR	DESCRIPTION	DATE	DWN	APVD
	D1	ECR-16-009824	27JUL2016	GK	SD

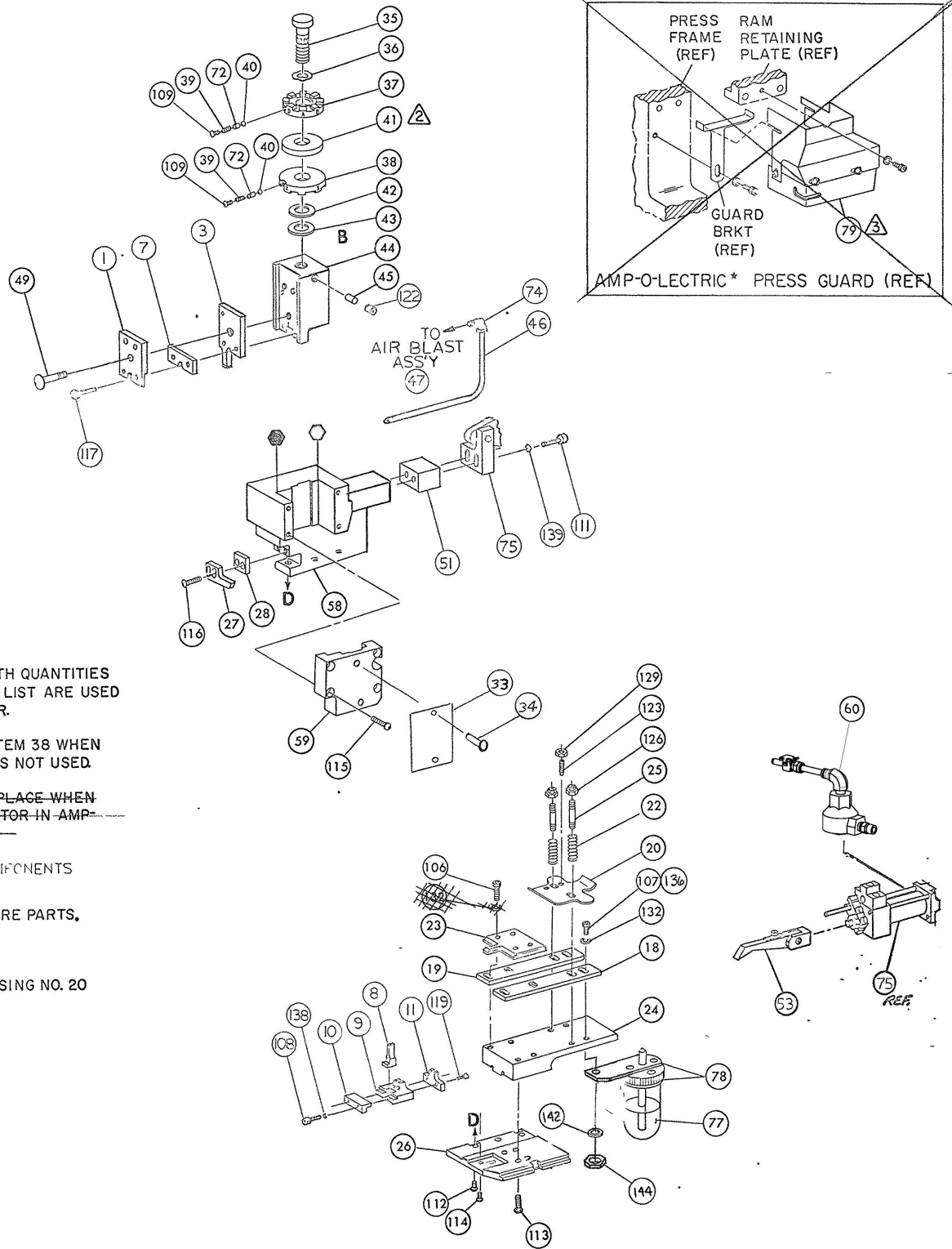
# REPLACED BY OCEAN STYLE APPLICATOR PART NUMBER 2150117-2

FOR REPLACEMENT PARTS FOR APPLICATOR 466551-2  
 REFER TO ADDITIONAL PAGE(S). SPARE PARTS KIT (IF LISTED)  
 WILL REMAIN AVAILABLE.

THE REPLACEMENT OCEAN STYLE APPLICATOR HAS THE  
 SAME TERMINATOR/PRESS INTERFACE AS APPLICATOR  
 466551-2

THIS DRAWING IS A CONTROLLED DOCUMENT.		DWN	GOPALAKRISHNA HV		
DIMENSIONS:		CHK	GOPALAKRISHNA HV		
		TOLERANCES UNLESS OTHERWISE SPECIFIED:		 TE Connectivity	
		APVD	STOUGH DALE		
0 PLC ± 1 PLC ± 2 PLC ± 3 PLC ± 4 PLC ± ANGLES ±		PRODUCT SPEC	NAME		
MATERIAL		APPLICATION SPEC	MINIATURE QUICK CHANGE APPLICATOR END FEED AMPLIVAR SP		
FINISH		WEIGHT	SIZE	CAGE CODE	DRAWING NO
		CUSTOMER DRAWING	A3		©- 466551-2
		SCALE	SHEET 1 OF 2		REV D1

THIS DRAWING IS A CONTROLLED DOCUMENT



**NOTES:**

- I ONLY THE ITEMS WITH QUANTITIES SPECIFIED ON PARTS LIST ARE USED ON THIS APPLICATOR.
- △ USED IN PLACE OF ITEM 38 WHEN INSULATION CRIMP IS NOT USED.
- △ GUARD MUST BE IN PLACE WHEN OPERATING APPLICATOR IN AMP-O-LECTRIC PRESS.
- △ SEE DWGS FOR COMPONENTS KEY:
- RECOMMENDED SPARE PARTS.
- ▲ LUBRICATE DAILY USING NO. 20 MACHINE OIL.
- GREASE LIGHTLY.

QTY	PART NO	DESCRIPTION	ITEM NO	QTY	PART NO	DESCRIPTION	ITEM NO
1	21045-3	RING, RETAINING 'C' (.187 DIA) FEED PIN	145	1	462926-1	CAP, RAM	59
1	21018-6	NUT, HEX MACHINE	144	1	453736-1	HOUSING	58
1	5-21028-1	PIN, SLOT SPG (.12 DIA X .50) FD ADJ ROD	143	1	692655-1	VALVE ASSY-692655-5	57
1	21055-6	WASHER, FLAT, REGULAR SERIES, B	142	1	24042-2	VALVE, SHUT OFF	56
1	1-21030-7	PIN, DOWEL (.187 DIA X 1.50) HOUSING	141	1	240624-1	PIN, FEED FINGER	55
1	1-21030-1	PIN, DOWEL (.187 DIA X .50) LEVER	140	1		SPRING, FEED FINGER	54
2	22260-7	WASHER, FLAT (NO 10) FEED BRACKET	139	1	2-460680-9	FINGER, FEED ASSY	53
2	22260-5	WASHER, FLAT (NO 6) PLATE, RET.	138	1	240634-	LEVER, TERMINAL	52
1	21899-4	WASHER, FLAT (5/16 DIA) SCR ADJ	137	1	461690-1	SPACER, AIR FEED	51
1	2-21000-9	SCR, SHC (8-32 X .75) STRIP GUIDE	136	1			50
1	21024-5	WASHER, LOCK (NO 10) FEED ADJ PLATE	135	1	7-21002-9	BOLT, CRIMPER	49
1	21024-5	WASHER, LOCK (NO 10) SHEAR PLATES	134	1		CAM, FEED STROKE	48
1	21024-5	WASHER, LOCK (NO 10) FEED ROD GUIDE	133	1	318848-1	AIR BLAST ASSY	47
2	21024-4	WASHER, LOCK (NO 8) STRIP GUIDE	132	1	669446-2	TUBE, AIR BLAST	46
1	21024-4	WASHER, LOCK (NO 8) SHEAR BLADE	131	1	690191-1	PLUG, NYLON	45
1			130	1	459586-1	RAM	44
2	21018-4	NUT, HEX MACH (4-40) DRAG	129	1	690125-1	WASHER, LAMINATED	43
1	21068-5	NUT, HEX MACH (6-32) FD ADJ PLATE	128	1	690124-1	WASHER, RAM	42
1	21018-7	NUT, HEX MACH (10-32) DRAG SPRING	127	1	690223-1	SPACER, DISC	41
2	21022-2	NUT, HEX SELF-LKG (8-32) DRAG STUD	126	1	23241-6	BALL, STEEL	40
1	5-21004-7	SCR, SKT HD SHLD (250 DIA X .25) DRAG ARM	125	1	690170-1	SPRING, COMPRESSION	39
1	21004-5	SCR, SKT HD SHLD (250 DIA X 1.00) DRAG	124	1		DISC, INSULATION	38
2	4-21078-8	SCR, SKT SET OVAL POINT (4-40 X .75) DRAG	123	1	690141-6	DISC, WIRE	37
1	21009-2	SCR, SKT SET (1/4-20 X 25) (LOC-WEL) RAM	122	1	22480-5	WASHER, SPRING	36
1			121	1	690212-1	POST, RAM	35
1	1-21002-7	SCR, BTN HD SKT CAP (6-32 X .38) CAM	120	2	21017-2	SCR, DRIVE	34
2	1-21002-6	SCR, BTN HD SKT CAP (6-32 X .25) PLATE, GUIDE	119	1	464249-1	I.D. PLATE	33
1	3-21064-2	SCR, RD HD MACH (6-32 X 1.50) FEED ADJ	118	1	458980-	APPLICATOR, BASIC (SUB ASSY)	32
2	2-21002-9	SCR, BTN HD SKT CAP (10-32 X .75) SHEAR	117	1	23238-1	QUICK DISCONNECT	31
2	8-21002-9	SCR, BTN HD SKT CAP (8-32 X .20) STRIPPER	116	12.00	27319-4	TUBING, POLY-FLO Ø.25	30
4	2-21002-9	SCR, BTN HD SKT CAP (10-32 X .75) HSG CAP	115	1	980285-2	ELBOW, SWIVEL 1/8 NPT 1/4 T	29
2	2-22733-0	SCR, BTN HD SKT CAP (10-32 X .38) (LOC-WEL) ANVIL	114	1	3-690451-9	SPACER, STRIPPER	28
4	3-21002-5	SCR, BTN HD SKT CAP (1/4-20 X .75) STR GDE PL	113	1	460276-1	STRIPPER	27
3	2-22733-9	SCR, BTN HD SKT CAP (1/4-20 X .75) BASE PL	112	1	459584-1	PLATE, BASE	26
2	4-21000-3	SCR, SKT HD CAP (10-32 X 2.00) AIR FEED BRACKET	111	2	22354-8	DRAG, STUD	25
1	2-21000-4	SCR, SKT HD CAP (6-32 X 1.00) DRAG ADAPTOR	110	1	462931-1	PLATE, STRIP GUIDE	24
1	2-23030-1	SCR, SKT HD CAP (6-32 X .25) (LOC-WEL) CP DISC	109	1	462932-1	PLATE, STRIP HOLD	23
2	1-21000-7	SCR, SKT HD CAP (6-32 X .38) PLATE, RET.	108	2	4-22281-1	SPRING, DRAG	22
1	2-21000-6	SCR, SKT HD CAP (8-32 X .38) STRIP GUIDE	107	1	240636-1	LEVER, DRAG	21
4	2-21002-2	SCR, BTN HD CAP (8-32 X .50) PLATE, STRIP HOLD	106	1	462925-1	DRAG, STOCK	20
1	3-21000-7	SCR, SKT HD CAP (10-32 X .75) FD ROD GUIDE	105	1	462929-3	GUIDE, STRIP (REAR)	19
1	3-21000-9	SCR, SKT HD CAP (10-32 X 1.00) DRAG SPRING	104	1	462930-3	GUIDE, STRIP (FRONT)	18
1	3-21000-6	SCR, SKT HD CAP (10-32 X .62) FD ADJ PLATE	103	1	454178-1	GUIDE, FEED ROD	17
1	3-21000-4	SCR, SKT HD CAP (10-32 X .38) PIVOT BLK	102	1	4-22284-9	SPRING, FEED RETURN	16
1	3-21000-8	SCR, SKT HD CAP (10-32 X .88) SHEAR PLATE	101	1		ADAPTER, DRAG	15
1	460980-2	GUARD ASSY	79	1			14
1	1-465184-7	LUBRICATOR ASSY	78	1		SPACER, HOLD DOWN	13
REF	852931-2	OIL, LUBRICATING	77	1		SPRING, HOLD DOWN	12
1	454406-1	SPACER, LUB BRACKET	76	1	459684-3	PLATE, GUIDE RET.	11
1	460277-1	AIR FEED ASSY	75	1	459580-1	PLATE, ANVIL RET.	10
1	22317-3	ELBOW, COPPER TUBE	74	1	459583-3	BODY, ANVIL	9
1	458109-1	WASHER, FLAT (SPECIAL)	73	1	459582-4	ANVIL	8
1	690603-1	SPRING, ASSIST	72	1	459581-1	BLADE, SLUG	7
1	690517-1	SPACER	71	1		HOLD DOWN, TERMINAL	6
1	22594-8	NUT, HEX	70	1		SPACER, SHEAR BLADE	5
1	240628-1	PLATE, ADJ	69	1		SPACER, TUBULAR	4
1	240626-1	SHAFT, PIVOT	68	1	459587-1	CRIMPER, GUIDE	3
1	240633-1	BUSHING	67	1		SPACER, INSULATION	2
1	455680-1	LEVER, INTERMEDIATE	66	1	459585-1	CRIMPER, WIRE	1
1	240629-1	BLOCK, PIVOT	65	1			
1	240632-2	SCREW, ADJ	64	1			
1	240659-3	PIN, CAM ROLLER	63	1			
1	240658-1	CAM, ROLLER	62	1			
1	454398-1	ROD, FEED	61	1			
1	692655-7	AIR FEED VALVE ASSEMBLY	60	1			

REMARKS	NO	REV
	TO APPLY TERMINAL	
	SPEC 114-2003	
APPL USED ON MACHINE PART NO	MACH SERIAL NO	DISTRIBUTION
CUSTOMER NAME	APPL SERIAL NO	ORIGINAL
ADDRESS	PURCHASE ORDER	CUSTOMER COPY
CITY	ENG APP	FIELD ENG COPY

CRIMPING DATA				APPLICATOR WILL APPLY	
PAD LTR	CRIMP HEIGHT	WIRE SIZE	WIRE LENGTH		
A	.082	4400-5000			62204
B	.077	3400-4200			62208
C	.072	2400-3200			62306
D	.066	1400-2200			
CRIMP	SIZE	TYPE	FEED	APPL INST	
WIRE	.110	F	.315	A1 8039	
INSUL					
WIRE RANGE	INSULATION RANGE		PRESS NO		
400-5000 CMA			354500-1		
REMARKS					
BENCH G AIR-FEED AIR-BLAST					
2 PLC DEC ±.25 LN					

REVISION RECORD	APPROVAL	REVISION RECORD	APPROVAL
D ECR-14-005661 KH 4-14		C ECR-08-010318 TH 4-08	
B ECR-0150-0159-04 TH 2-04		A ECR-0150-1212-03 TH 11-03	
O1 0150-0617-03 CE 6-03			

SET UP PAGE 10-1  
 DR 12 JUN 03 APPR JUN 03  
 C ERISMAN T. ELBIN  
 CHK JUN 03 REL  
 C ERISMAN  
 LOC A D NO 466551-2 REV D  
 NAME MINIATURE QUICK CHANGE APPLICATOR-  
 END FEED (AMPLIVAR SPLICE)  
 CUSTOMER AND ASSEMBLY DRAWING