

MATERIAL AND FINISH:

Insulator: Polycarbonate,
UL-94V-0 rated
Contacts: Copper, Tin plated

ELECTRICAL SPECIFICATIONS:

Current rating: 10 A
Voltage rating: 250 VAC
Insulation resistance: 100 Mohm
min. at 500 VDC
Dielectric withstanding voltage:
2000 VAC for one minute

**RoHS
COMPLIANT**

ORDERING CODE:

42R37-
 1 2 3 4

1) SNAP-IN MOUNT
3 = WITHOUT LAMP
8 = WITH NEON LAMP

2) COLOR
1 = BLACK
2 = GRAY

3) ELECTRICAL CIRCUIT
CONFIGURATION

1 = 10A 250V 70°C
2+GROUND, 1 FUSE
1 POLE SWITCH



3 = 10A 250V 70°C
2+GROUND, 1 FUSE
2 POLE SWITCH



4 = 10A 250V 70°C
2+GROUND, 2 FUSE
2 POLE SWITCH



7 = 10A 250V 120°C
2+GROUND, 1 FUSE
2 POLE SWITCH



8 = 10A 250V 120°C
2+GROUND, 2 FUSE
2 POLE SWITCH



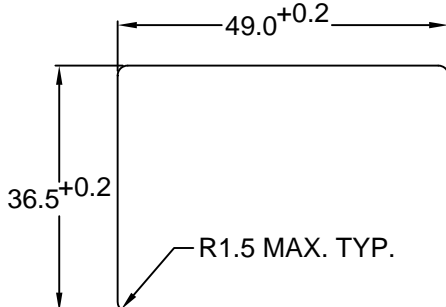
11 = 10A 250V 70°C
2 POLE, 1 FUSE
2 POLE SWITCH



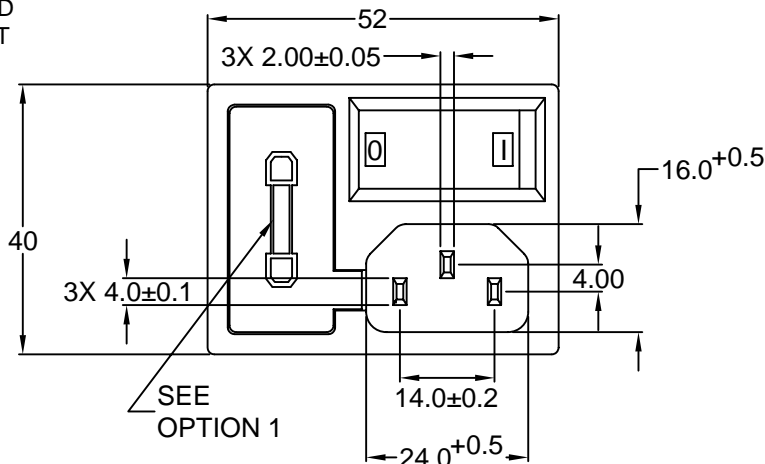
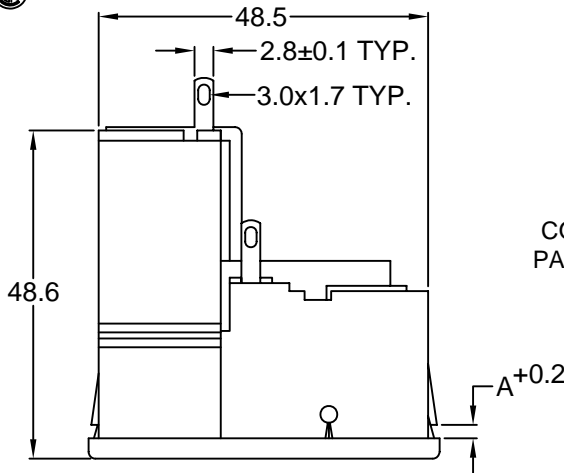
12 = 10A 250V 70°C
2 POLE, 2 FUSE
2 POLE SWITCH



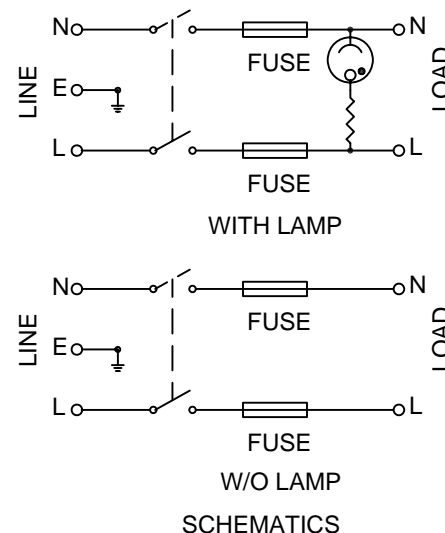
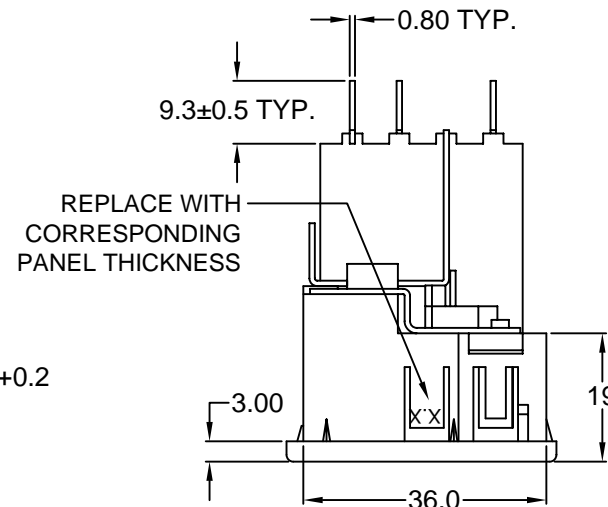
4) PANEL THICKNESS



**RECOMMENDED
PANEL CUTOUT**



SEE
OPTION 1



SCHEMATICS

REV	DATE	CHANGE	CHNG	CHECK	APPR

P/N	A	MAX. PANEL THICKNESS
42R37-XX2X-150	1.5	1.5
42R37-XX2X-200	2.0	2.0

ADDITIONAL PANEL THICKNESS AND ONE
POLE SWITCH AVAILABLE ON REQUEST

TOLERANCE UNLESS OTHERWISE SPECIFIED	
X	± 1
X.X	± 0.4
X.XX	± 0.20
DRAWN BY	GQ
DATE:	09/21/01
CHECK BY	TD
DATE:	09/26/01
APPR BY	PB
DATE:	09/26/01

Power Dynamics, Inc.

Phone: 973 560-0019 Whippany, New Jersey Fax: 973 560-0076

PART: IEC 60320 FUSE HOLDER AND POWER
SWITCH APPL. INLET; SOLDER TERMINALS

PART #: 42R37-XX2X-XXX		SHEET 1 of 1
SIZE: A	ALL DIMENSIONS FOR REFERENCE ONLY DIMENSIONS ARE IN MILLIMETERS	
SCALE: NTS	REV:	