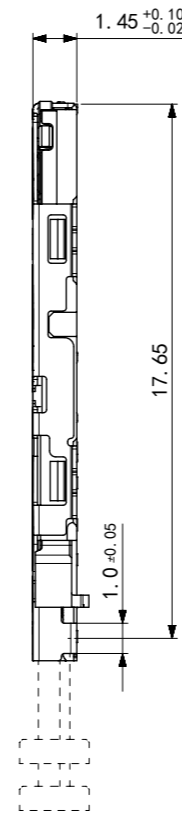
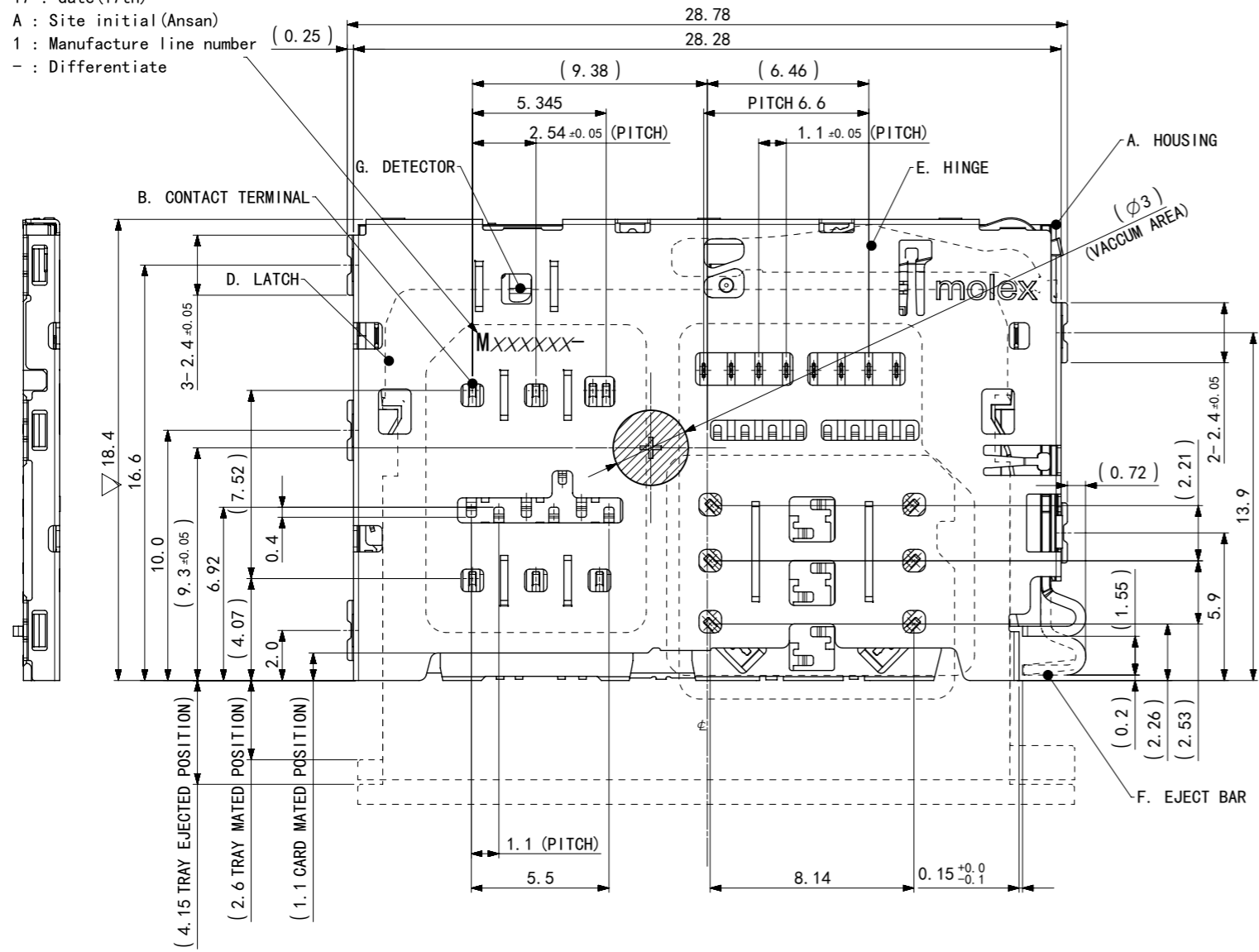
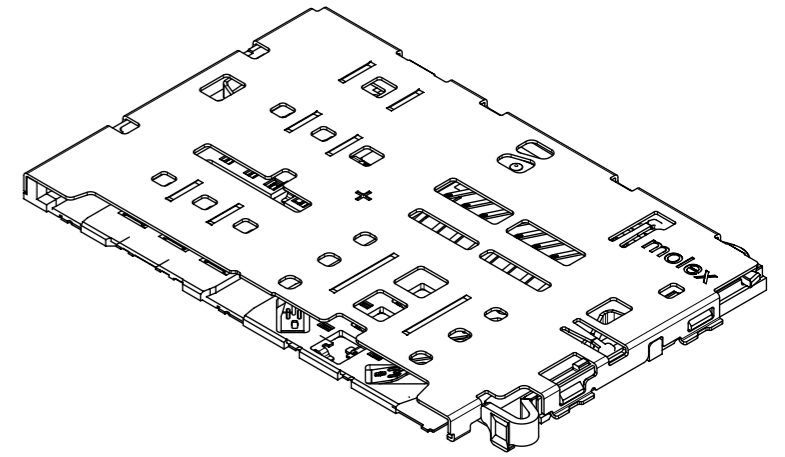
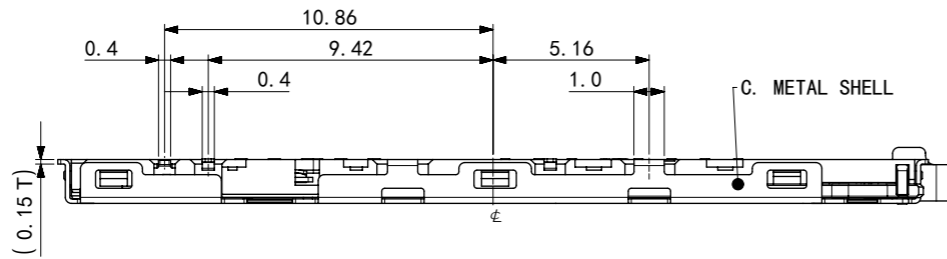


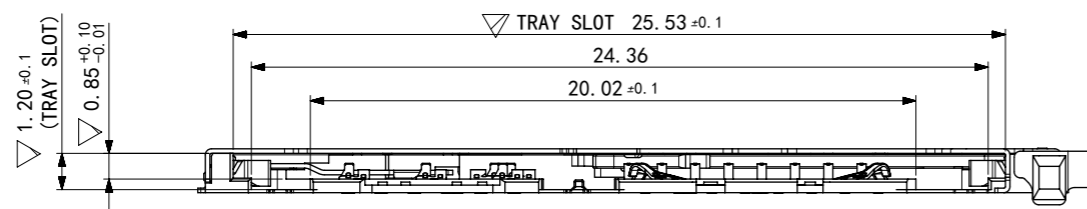
-DATE CODE-
 EXAMPLE : M7517A1-
 M : Molex initial
 7 : Year (2017)
 5 : Month(May), 1, ..., 9, A, B, C
 17 : date (17th)
 A : Site initial (Ansan)
 1 : Manufacture line number
 - : Differentiate



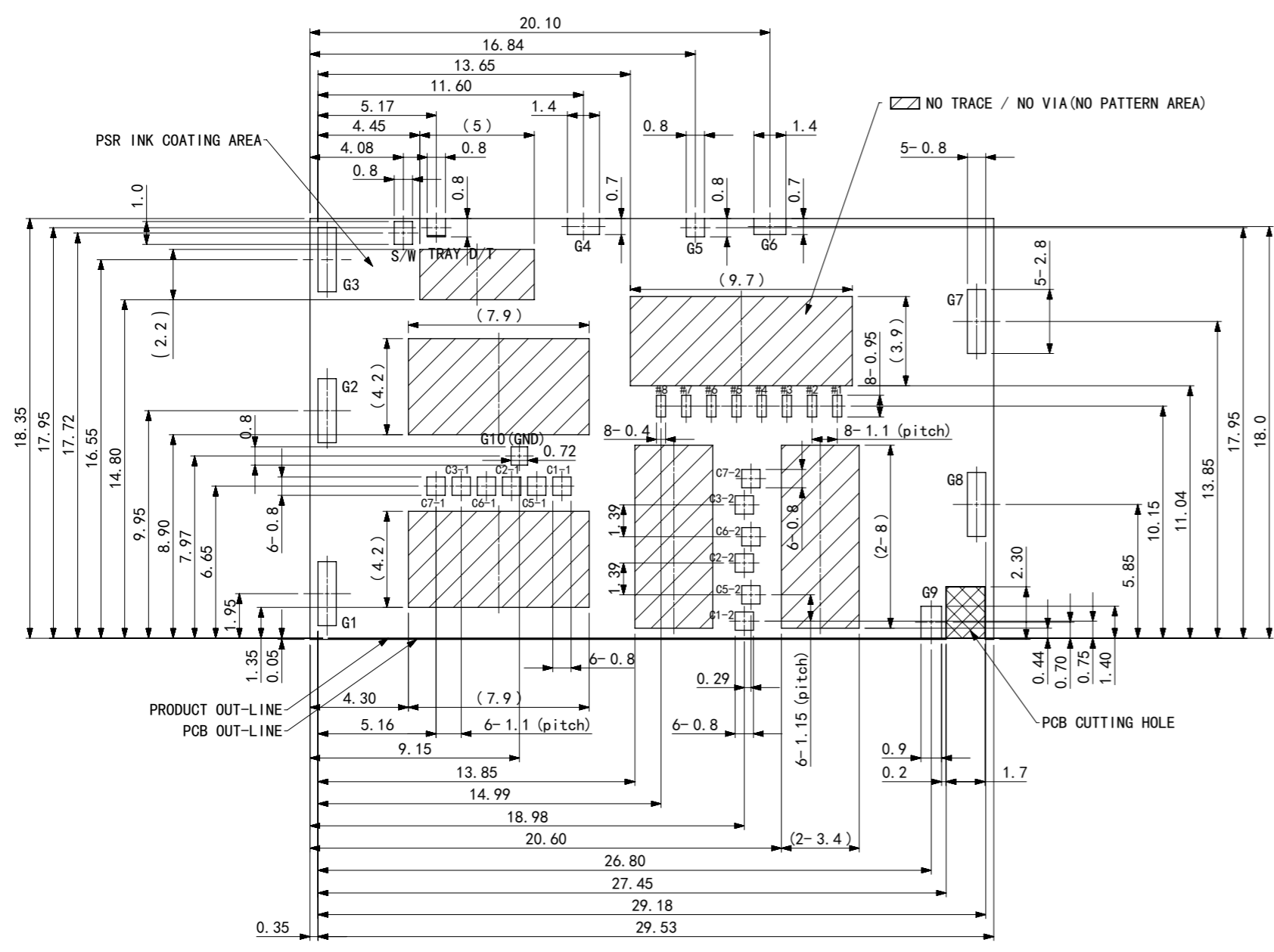
NOTES

1. MATERIAL : SEE TABLE
2. FINISHES : SEE TABLE
3. MATES WITH : microSD CARD or nanoSIM(UICC 4FF) CARD
4. PRODUCT SPECIFICATIONS : PS-201025-002
5. PACKING SPECIFICATIONS : SPK-201025-500
6. COPLANARITY OF SOLDER TAILS : 0.08mm MAX. BEFORE & AFTER 260°C REFLOW 3TIMES
7. REFERENCE CARD DIMENSIONS ARE WITH STANDARD DIMENSION CARD
8. MOLEX MAJOR QUALITY SYMBOL(▽)
9. TRAY DETECTION SWITCH TIMING LENGTH IS 0.5mm Min. WITH RECOMMENDED TRAY DIMENSION

No.	Description	Material	Finished
A	HOUSING	Liquid Crystal Polymer	Black Color (UL94V-0)
B	CONTACT TERMINAL	Copper Alloy	Nickel Barrier Contact : Gold flash 0.05um Min over Pd+Ni 0.3um Min Lead : Gold flash 0.05um Min BASE : Ni 1.25~5.5um
C	METAL SHELL	Stainless Steel	All : Nickel 1.25~3.0um Lead : Gold flash 0.05um Min
D	LATCH LEFT/RIGHT	Stainless Steel	Nickel 1.25~3.0um
E	HINGE	Stainless Steel	None
F	EJECT BAR	Stainless Steel	None
G	DETECTOR (TRAY D/T)	Copper Alloy	Contact : Gold flash 0.05um Min over Ni 1.25~5.5um Lead : Gold flash 0.05um Min over Ni 1.25~5.5um



QUALITY SYMBOLS ▽ = 0 ▽ = 0 ▽ = 0 ▽ = 4 ▽ = 0 ▽ = 0 ▽ = 0 ▽ = 0	THIS DRAWING CONTAINS INFORMATION THAT IS PROPRIETARY TO MOLEX ELECTRONIC TECHNOLOGIES, LLC AND SHOULD NOT BE USED WITHOUT WRITTEN PERMISSION		DIMENSION UNITS: mm SCALE: 4:1		 GENERAL MSD/NS 3IN2 HORIZONTAL TRAY TYPE	
	EC NO: 173450 DRWN: HJKANG01 CHK'D: SHCHU APPR: YSKIM02	2017/07/21 2018/03/12 2018/03/14	GENERAL TOLERANCES (UNLESS SPECIFIED) ANGULAR TOL ± 1.0 °			DRWN BY: HJKANG01 DATE: 2016/03/21
		4 PLACES ± 0.08 3 PLACES ± 0.08 2 PLACES ± 0.08 1 PLACE ± 0.08 0 PLACES ± 0.08	DRAFT WHERE APPLICABLE MUST REMAIN WITHIN DIMENSIONS			CHK'D BY: SHCHU DATE: 2016/08/29
		DRAWING SIZE: A3 THIRD ANGLE PROJECTION		APPR BY: YSKIM02 DATE: 2016/08/30		
RELEASE STATUS: P1 RELEASE DATE: 2018/03/14 01:05:04		PRODUCT CUSTOMER DRAWING		SERIES: 201025 MATERIAL NUMBER: 2010250214 CUSTOMER: GENERAL		
		DOCUMENT NUMBER: 2010250214 DOC TYPE: PSD DOC PART: 000 SHEET NUMBER: 1 OF 3				



RECOMMENDED PCB LAYOUT [FRONT VIEW]

(TOLERANCE : ±0.05)

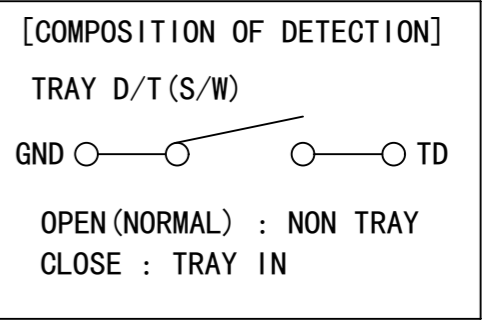
[NANO SIM CARD PIN-MAP]

Pin No.	Description	
C1-1	C1-2	VCC
C2-1	C2-2	RST
C3-1	C3-2	CLK
C5-1	C5-2	GND
C6-1	C6-2	VPP
C7-1	C7-2	I/O

*This product has no C4, C8 Contact terminal

[micro SD CARD PIN-MAP]

Pin No.	Description
G1-G9	GND or NOT CONNECT
#1	DAT2
#2	CD/DAT3
#3	CMD
#4	VDD
#5	CLK
#6	VSS
#7	DAT0
#8	DAT1

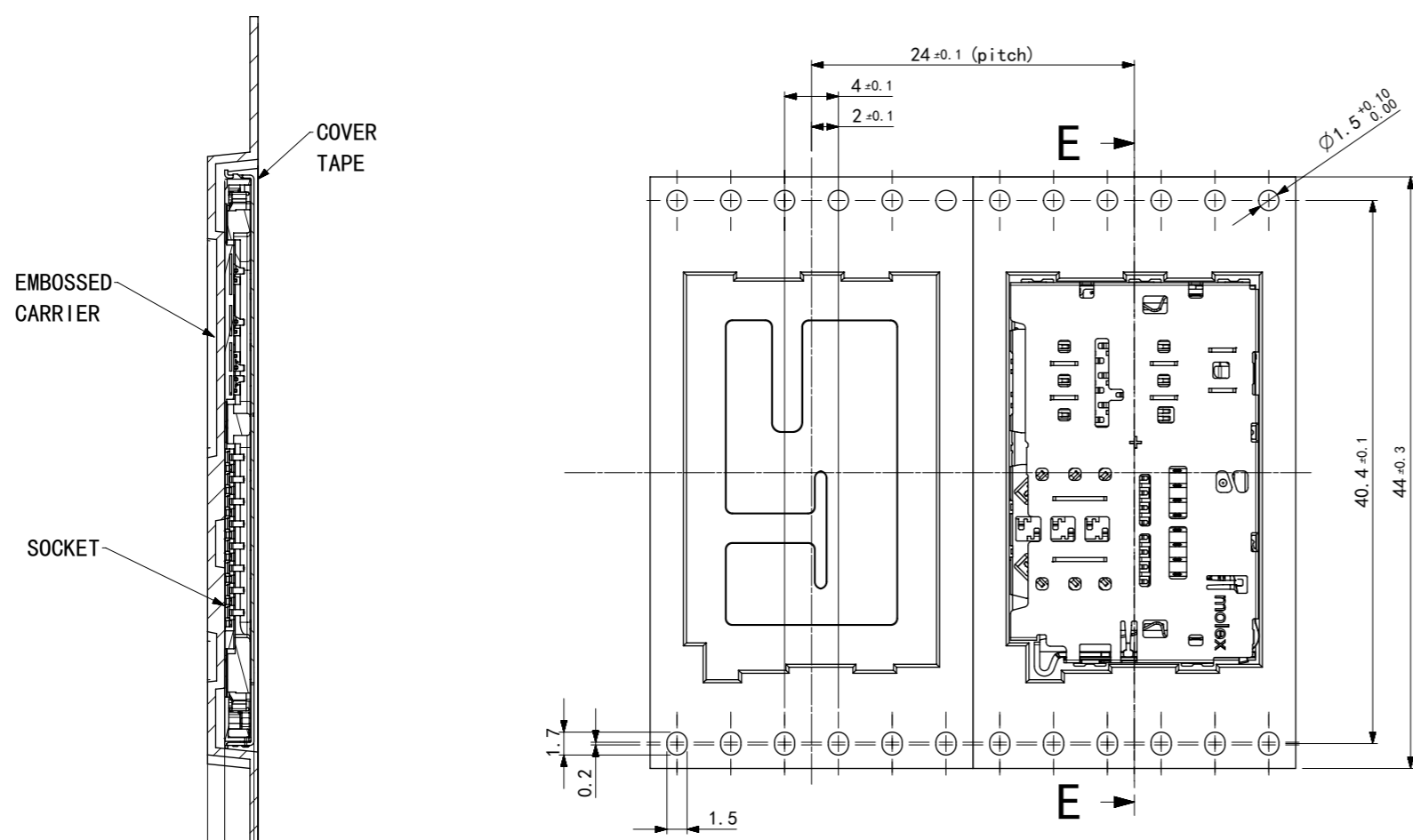


G1-G9	GND or NOT CONNECT
S/W	TRAY DETECTOR
TRAY D/T	GROUND
G10	GROUND

*There is only one tray insertion/removal detection switch physically. Therefore, After tray detection, This product necessary to detect the SIM or SD Card separately in software

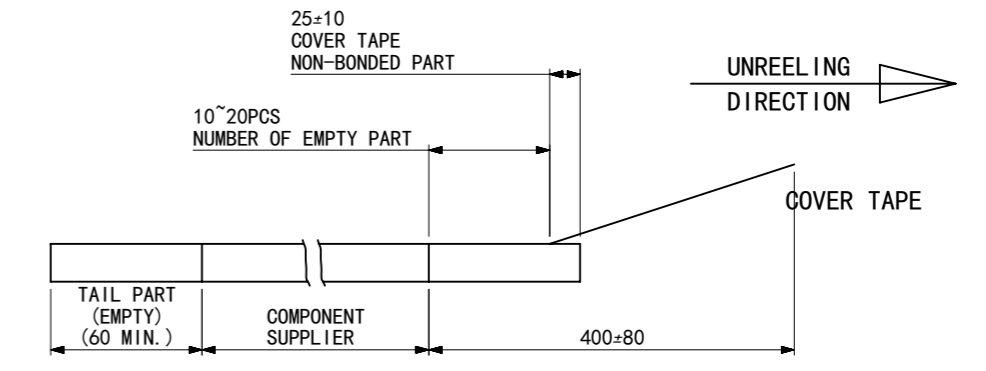
THIS DRAWING CONTAINS INFORMATION THAT IS PROPRIETARY TO MOLEX ELECTRONIC TECHNOLOGIES, LLC AND SHOULD NOT BE USED WITHOUT WRITTEN PERMISSION

QUALITY SYMBOLS A = 0 E = 0 F = 0 G = 0 H = 0 I = 0 J = 0 K = 0 L = 0 M = 0 N = 0 O = 0	REVISIONS EC NO: 173450 DRWN: HJKANG01 CHK'D: SHCHU APPR: YSKIM02 REV: A7	2017/07/21 2018/03/12 2018/03/14	GENERAL TOLERANCES (UNLESS SPECIFIED) ANGULAR TOL ± 1.0 ° 4 PLACES ± 0.08 3 PLACES ± 0.08 2 PLACES ± 0.08 1 PLACE ± 0.08 0 PLACES ± 0.08	DIMENSION UNITS: mm SCALE: 4:1 DRWN BY: HJKANG01 DATE: 2016/03/21 CHK'D BY: SHCHU DATE: 2016/08/29 APPR BY: YSKIM02 DATE: 2016/08/30	 GENERAL MSD/NS 3IN2 HORIZONTAL TRAY TYPE PRODUCT CUSTOMER DRAWING SERIES: 201025 MATERIAL NUMBER: 2010250214 CUSTOMER: GENERAL DOCUMENT NUMBER: 2010250214 DOC TYPE: PSD DOC PART: 000 SHEET NUMBER: 2 OF 3
		DRAFT WHERE APPLICABLE MUST REMAIN WITHIN DIMENSIONS	DRAWING SIZE: A3 THIRD ANGLE PROJECTION		
		THIS DRAWING CONTAINS INFORMATION THAT IS PROPRIETARY TO MOLEX ELECTRONIC TECHNOLOGIES, LLC AND SHOULD NOT BE USED WITHOUT WRITTEN PERMISSION			
		DRAFT WHERE APPLICABLE MUST REMAIN WITHIN DIMENSIONS			

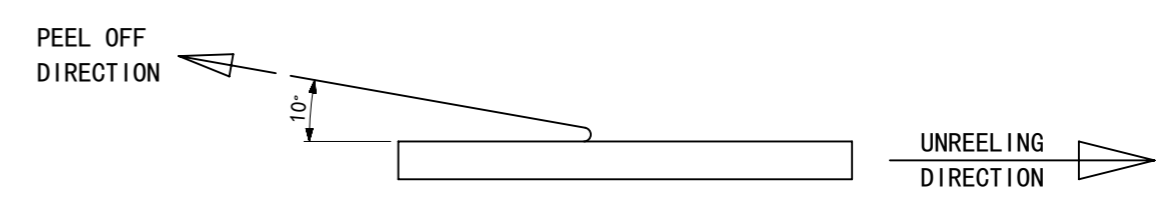


NOTES

1. QUANTITY OF PRODUCTS : 1,600 PCS/1REEL
2. LEAD LENGTH



3. PEELING OFF FORCE OF COVER TAPE : 0.1N~0.59N(10.2~60gf)
(PEELING DIRECTION AS BELOW)
- PEELING OFF SPEED : 300mm/Min.(Ref.)

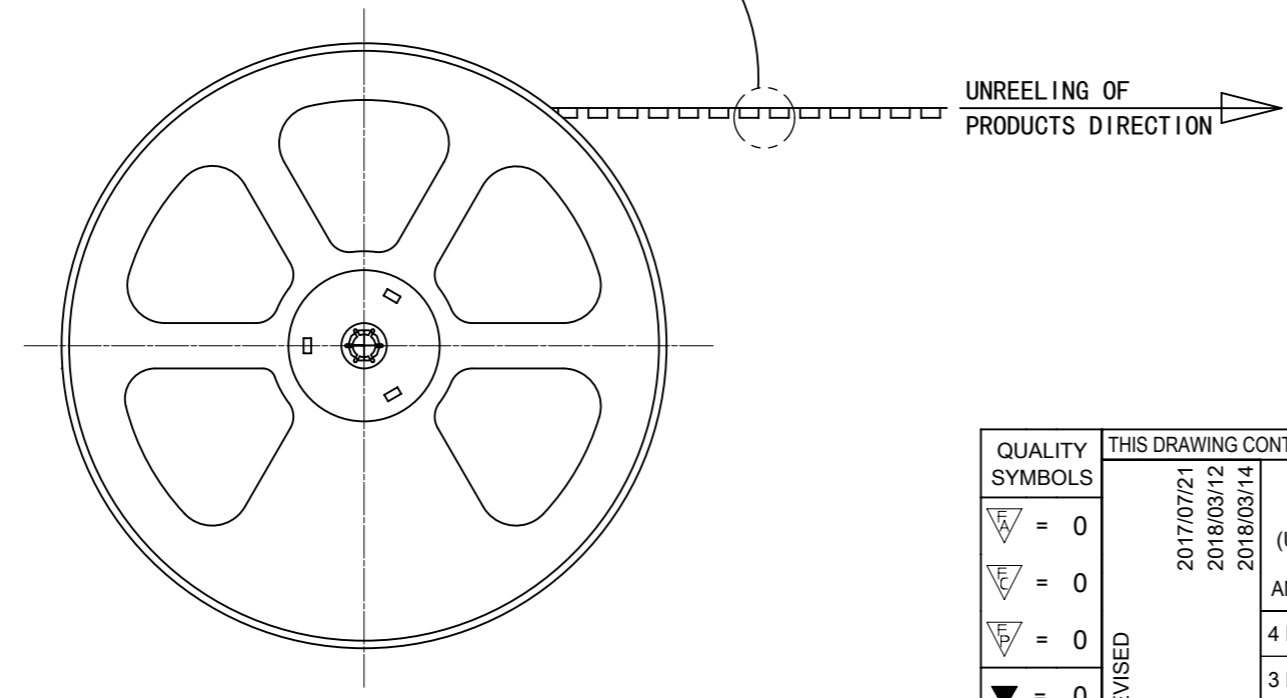
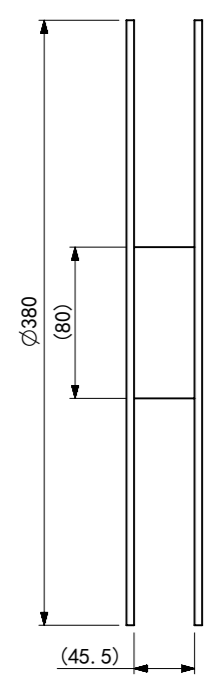


4. MATERIALS OF EMBOSSED CARRIER AND COVER TAPE :
PET(POLYETHYLEN TEREPHTHALATE)

SECTION E-E
(SCALE 3:1)

TOP VIEW OF EMBOSSED CARRIER

UNREELING OF
PRODUCTS DIRECTION



THIS DRAWING CONTAINS INFORMATION THAT IS PROPRIETARY TO MOLEX ELECTRONIC TECHNOLOGIES, LLC AND SHOULD NOT BE USED WITHOUT WRITTEN PERMISSION												
QUALITY SYMBOLS	REVISED	EC NO: 173450	DRWN: HJKANG01	CHK'D: SHCHU	APPR: YSKIM02	GENERAL TOLERANCES (UNLESS SPECIFIED)		DIMENSION UNITS	SCALE			
						4 PLACES ± 0.08	3 PLACES ± 0.08	mm	2:1			
▽A = 0		2017/07/21				ANGULAR TOL ± 1.0 °		DRWN BY	DATE	GENERAL MSD/NS 3IN2 HORIZONTAL TRAY TYPE		
▽E = 0		2018/03/12				2 PLACES ± 0.08	HJKANG01	2016/03/21				
▽F = 0		2018/03/14				1 PLACE ± 0.08	CHK'D BY	DATE	PRODUCT CUSTOMER DRAWING			
▼ = 0						0 PLACES ± 0.08	SHCHU	2016/08/29				
▽ = 0						DRAFT WHERE APPLICABLE MUST REMAIN WITHIN DIMENSIONS		APPR BY	DATE	SERIES MATERIAL NUMBER CUSTOMER		
⊠ = 0							YSKIM02	2016/08/30	201025			
■ = 0							DRAWING SIZE	THIRD ANGLE PROJECTION	DOCUMENT NUMBER DOC TYPE DOC PART SHEET NUMBER			
▽ = 0						A3		2010250214				