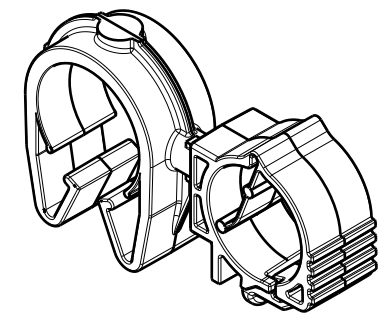
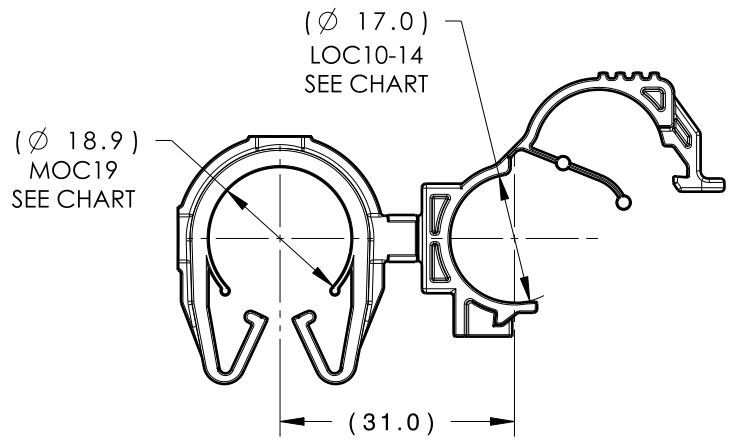
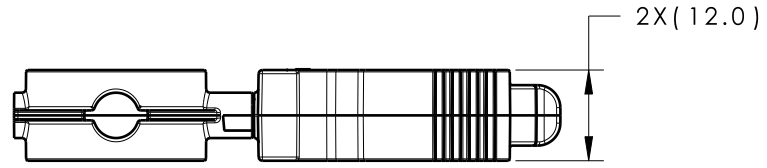
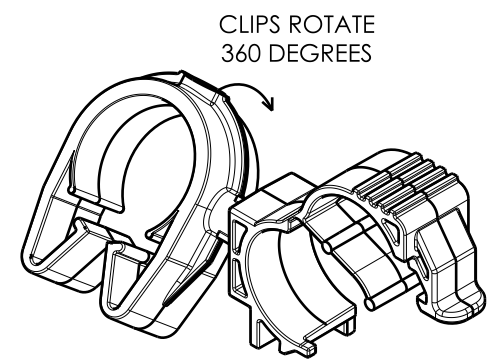


Revision Level			Revision Record	Changed	Date	Approved	Date
Drawing	State	Part					
03.1	Design Release	-	SEE ECN# 015045	TAT	4/3/2019	EJH	4/3/2019



ISOMETRIC VIEW CLOSED



ISOMETRIC VIEW OPEN

TYPE	MOC19F
HARNESS	17.0MM-20.0MM
HOSE	17.0MM-20.0MM
HARD PIPE/TUBE	19.0MM-21.8MM

*RECOMMENDED SIZES MAY DIFFER DEPENDING ON THE APPLICATION , PRODUCT REQUIREMENTS AND MATERIALS USED

**PATENT PENDING 29/582,271



GLOBAL PART DESCRIPTION	MOC19**			LOC10-14		
	DRAWING	MATERIAL	COLOR	DRAWING	MATERIAL	COLOR
MOC19FLOC10-14-PA66HIRHSUV-BK	16-0322-000-CSU	PA66HIRHSUV	BLACK	11-0594-031-CSU	PA66HIRHSUV	BLACK

Material SEE CHART COLOR: SEE CHART	Units	millimeters	The copyright of this drawing is reserved by HellermannTyton. It is issued on condition that it is not reproduced, copied or disclosed to a third party, either wholly or in part, without the consent of HellermannTyton.	Drawn	TAT	5/19/17	Article/Type-No	MOC19FLOC10-14	Scale	1:1				
	Tolerance defined on each dimension	Approved		EJH	5/22/17	Title		19MM MOC COUPLED TO 10-14MM LOC		Project Number	16-0327			
		HellermannTyton						Drawing-No	PRODUCTION : Phase		Format	AH		
									North America Email: corp@htamericas.com Web: www.hellermann.tyton.com					