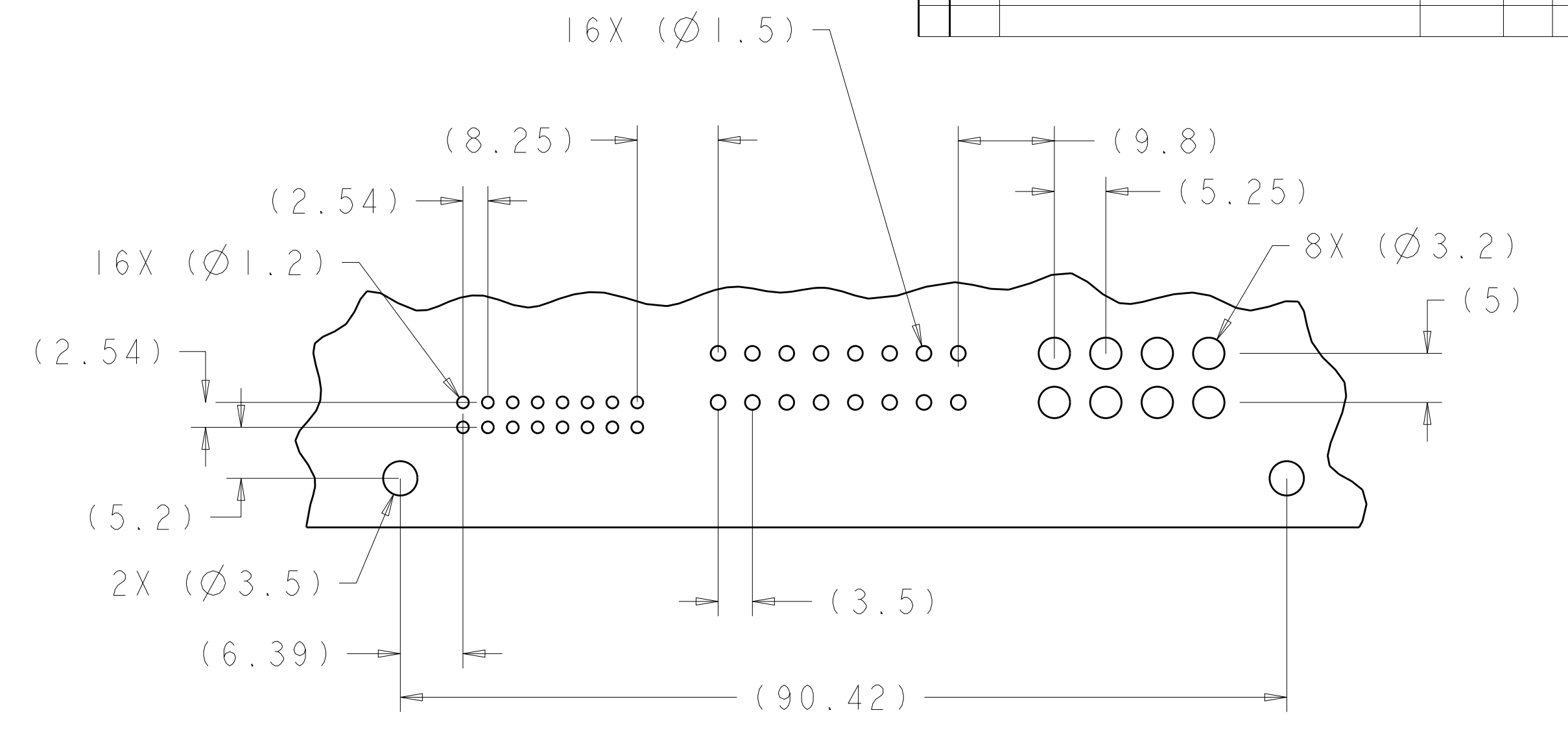
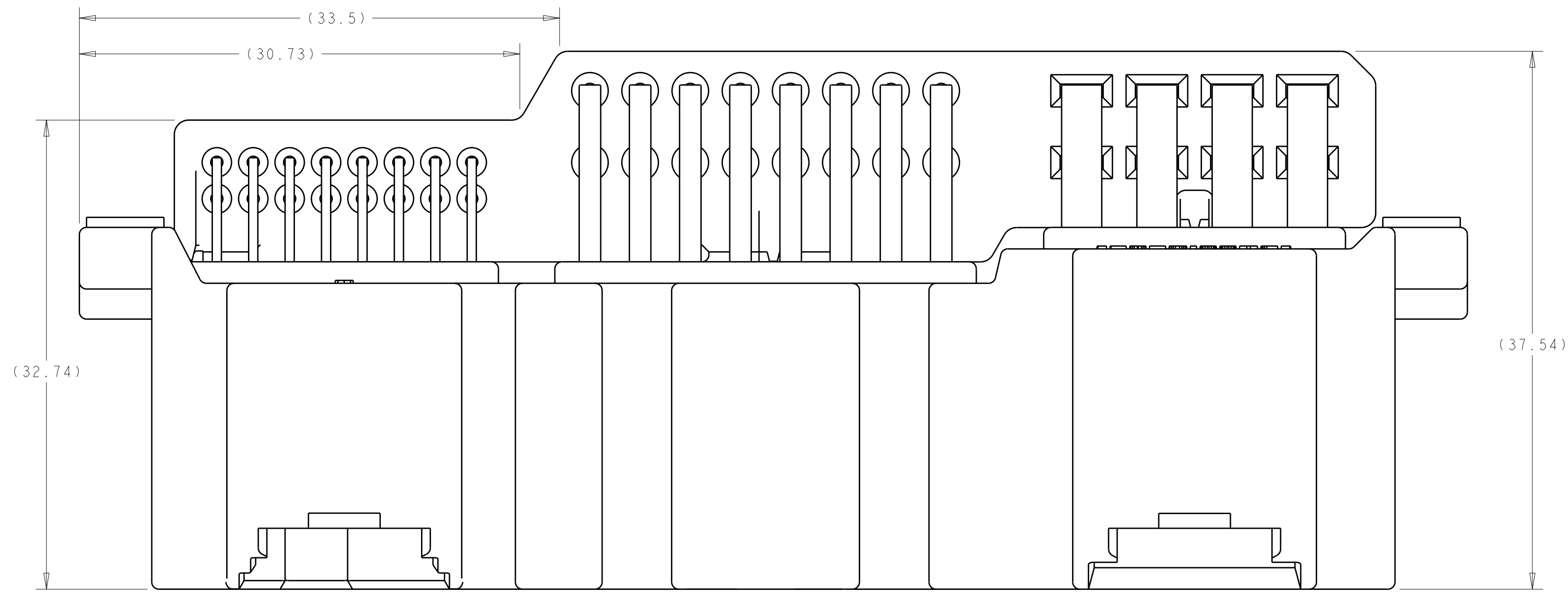
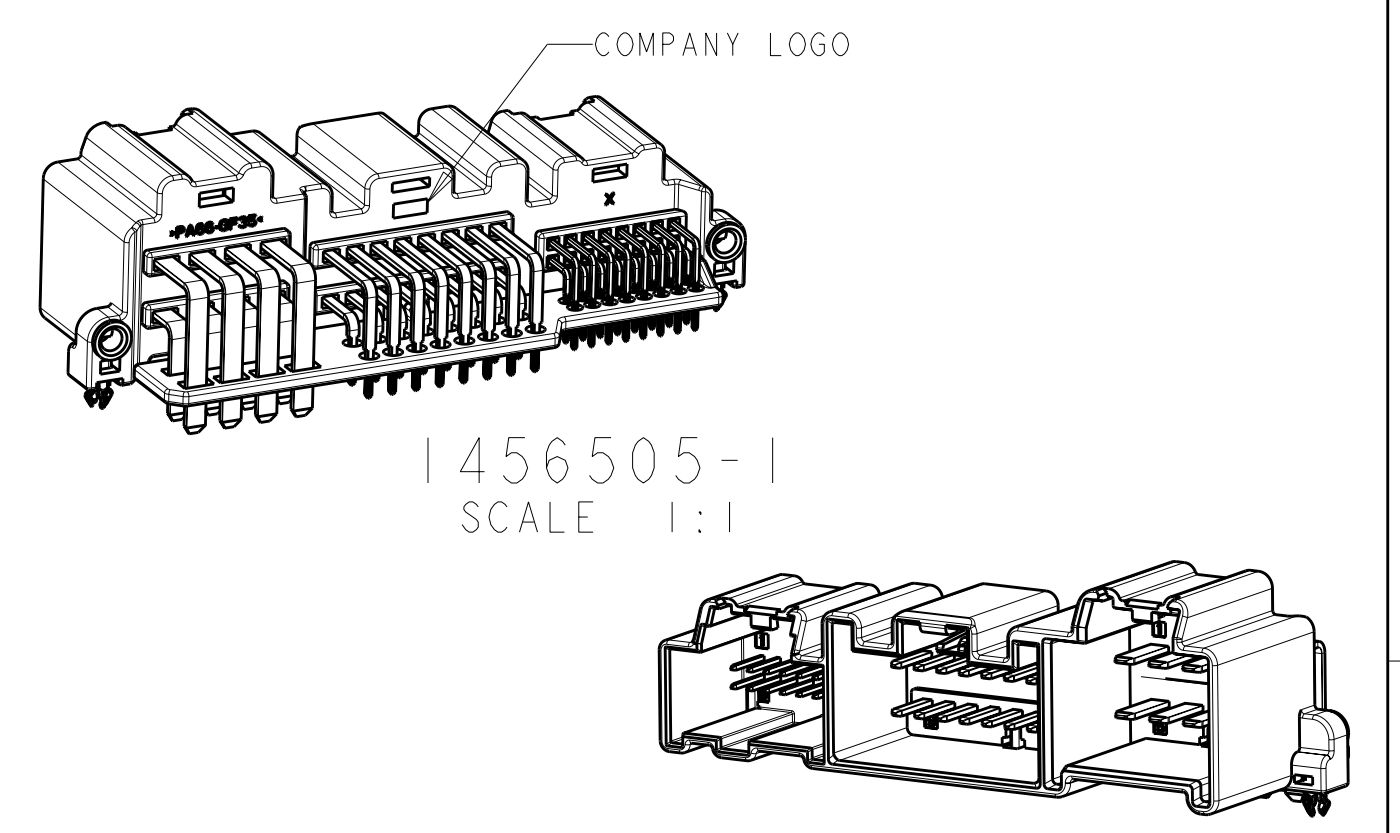
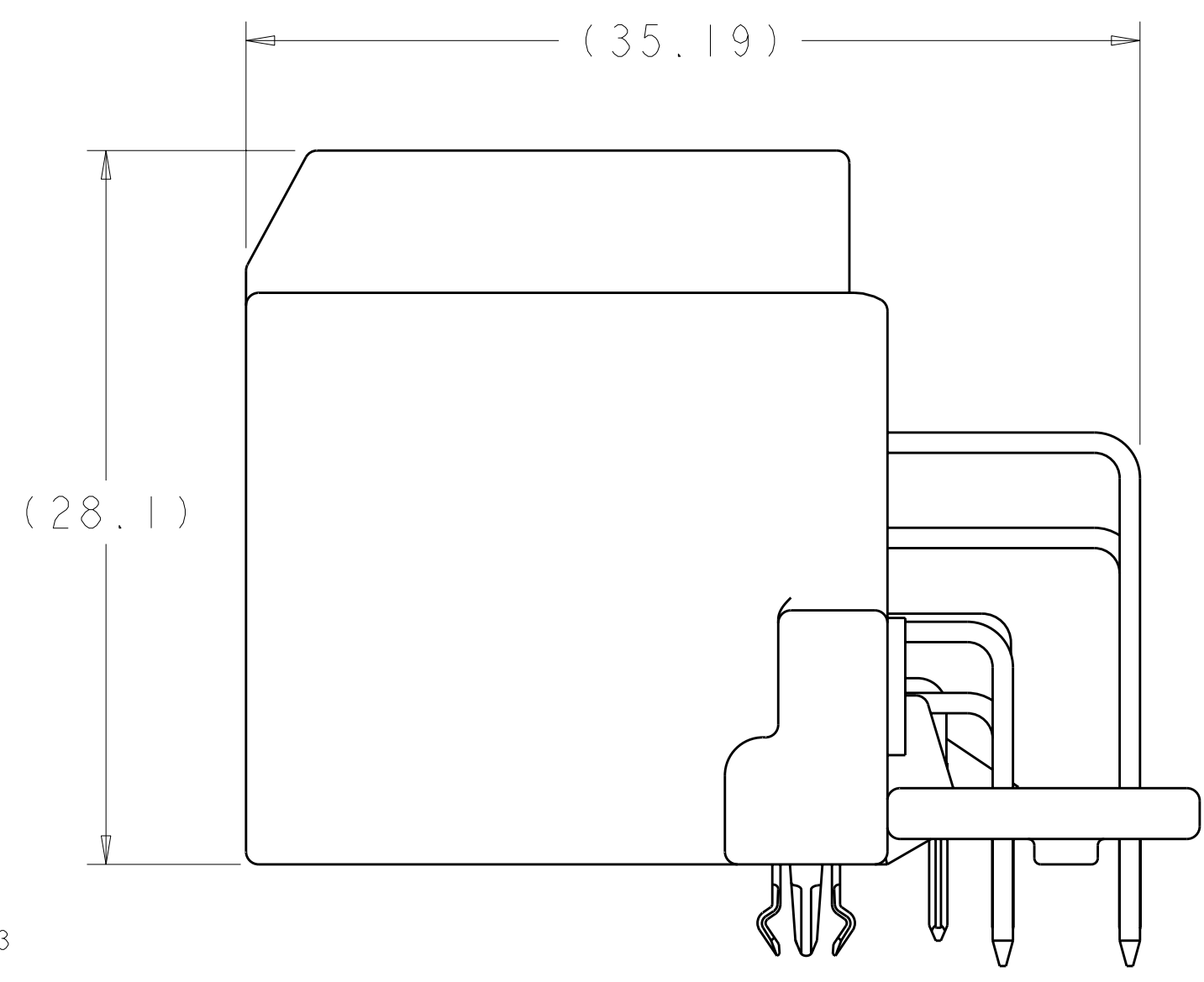
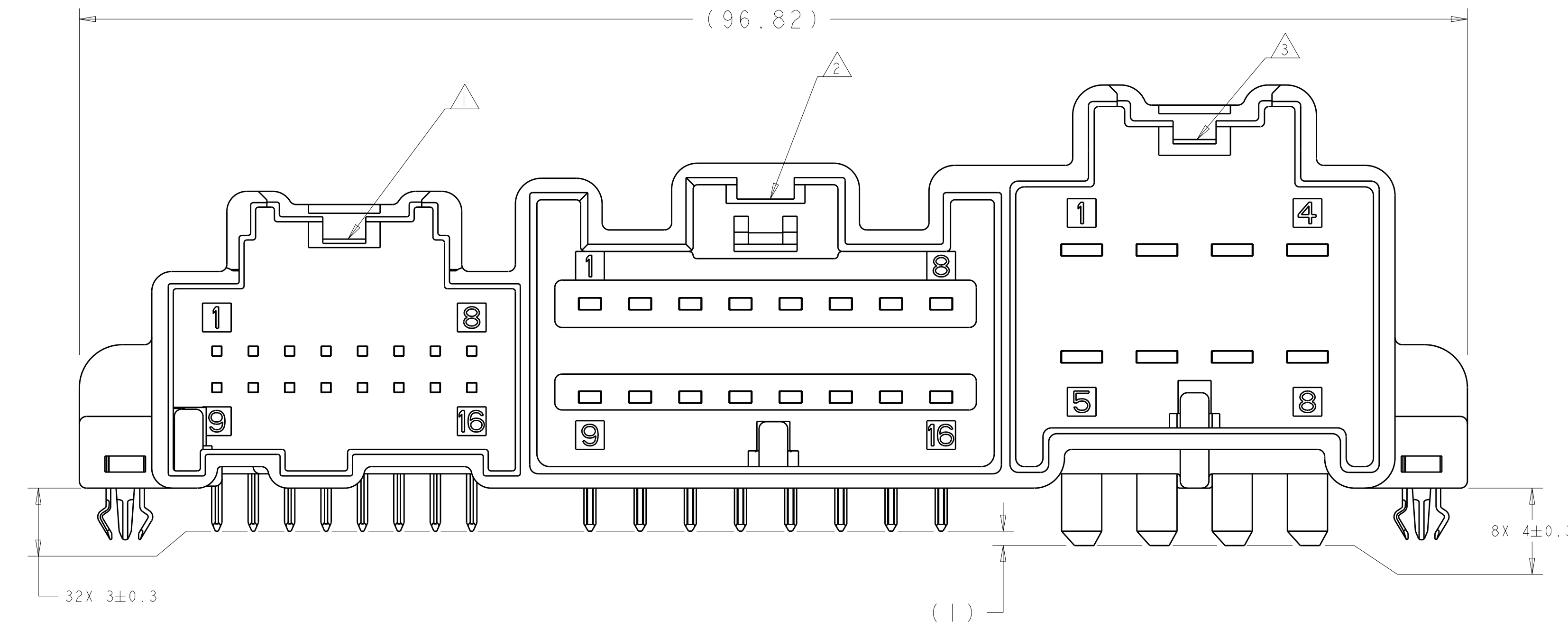


LOC	DIST	REV	DATE	BY	APPD
FX	00				

REVISIONS		DATE	BY	APPD
A4	REVISED PER ECR 07-025294	23OCT2007	DLD	MHB
A5	REV PER ECR-10-012887	17JUN2010	VSS	MB

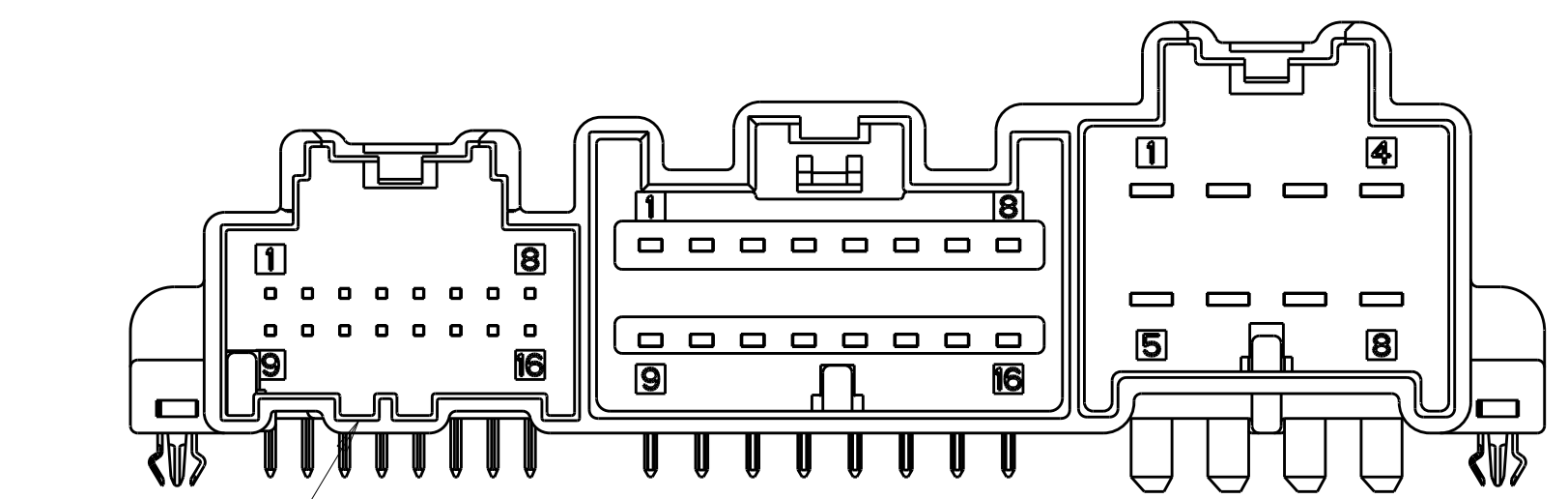


RECOMMENDED PCB LAYOUT
 SCALE: 2:1

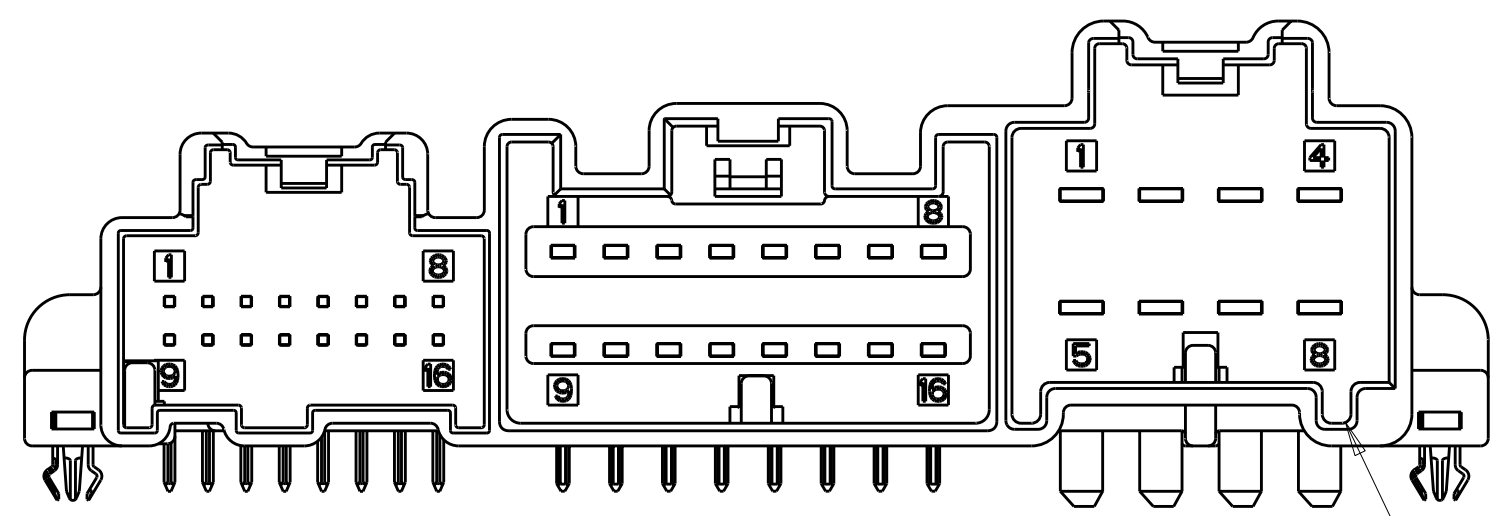


CONNECTOR DESCRIPTION	SUPPLIER	SUPPLIER PART #	KEY
8-WAY CONNECTOR 2.8mm SERIES	SUMITOMO	6098-4713	A
16-WAY CONNECTOR 1.5mm SERIES	SUMITOMO	6098-4611	A
16-WAY CONNECTOR 0.64mm SERIES	YAZAKI	7283-9076-30	A
		7283-9078-80	C
TERMINAL DESCRIPTION	WIRE GAGE	SUPPLIER	SUPPLIER PART #
0.64mm	20-22	YAZAKI	7116-4618-02
1.5mm	20-22	SUMITOMO	8240-0128
			8240-0127
2.8mm	12-14	SUMITOMO	8100-4445
			8100-4444
			8100-4443

- △ REF. USCAR DRAWING 064-U-016-2-Z02.
- △ REF. USCAR DRAWING 150-U-016-2-Z01.
- △ REF. USCAR DRAWING 280-U-008-2-Z01.
- 4. TERMINAL BLADE GEOMETRY DEFINED BY USCAR DRAWING EWCAP-001.
- 5. MATERIALS:
 HEADER HOUSING: ULTRAMID A3EG7
 PIN GUIDE: 30% GLASS FILLED PBT
 2.8mm TERMINAL: BRASS; 1.5mm AND 0.64mm TERMINALS: COPPER
- 6. KEYING OPTIONS SHOWN ARE ONLY KEYING OPTIONS AVAILABLE.
- 7. PLATING 0.0025-0.0040mm THICK MATTE TIN ON MATING END AND SOLDER TAIL AREA ALL OVER 0.00125-0.00225mm THICK NICKEL.



1456505-2
 SCALE 2:1



1456505-3
 SCALE 2:1

1456505-1 SHOWN																	
COLOR	PIN GUIDE	A	B	C	D	E	F	A	B	C	D	A	B	C	D	E	ASSEMBLY PART #
BLACK	X	X					X					X					1456505-3
BLACK	X			X			X				X						1456505-2
BLACK	X	X					X			X							1456505-1

DIMENSIONS: mm		TOLERANCES UNLESS OTHERWISE SPECIFIED:		DWN R. VESTAL 16MAR2006		CHK D. REVAK 16MAR2006		APVD D. REVAK 16MAR2006		NAME		Tyco Electronics		Tyco Electronics Harrisburg, PA 17105-3608	
9 PLC ±		0.3		PRODUCT SPEC		APPLICATION SPEC		SIZE		CAGE CODE		DRAWING NO		RESTRICTED TO	
1 PLC ±0.3		0.10		WEIGHT		MATERIAL		FINISH		SCALE		SHEET		OF	
3 PLC ±		0.10		CUSTOMER DRAWING		SCALE		SHEET		OF		REV		A5	
4 PLC ±		0.10													
ANGLES															
SEE NOTES		SEE NOTES													