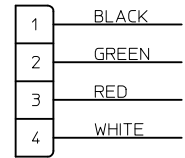
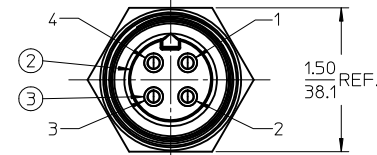
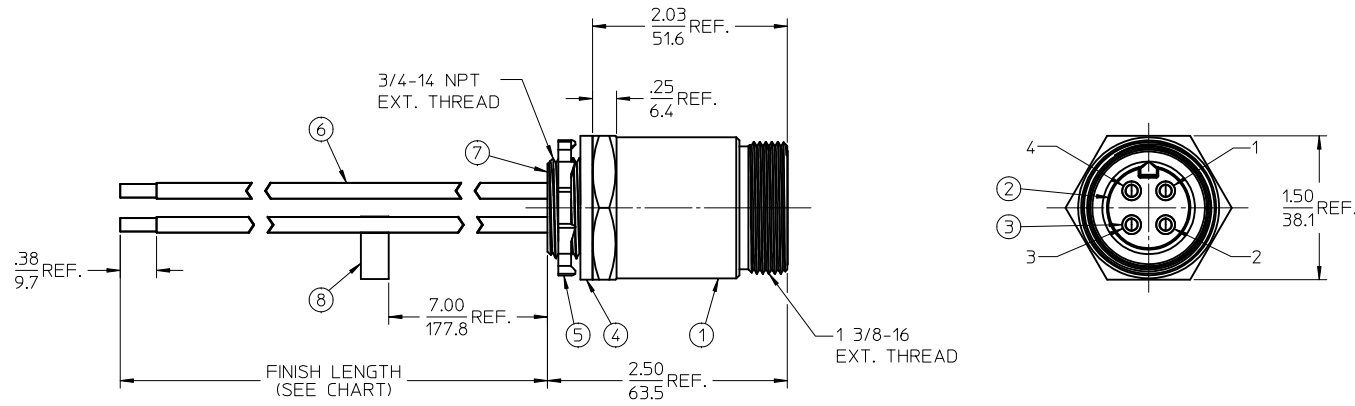
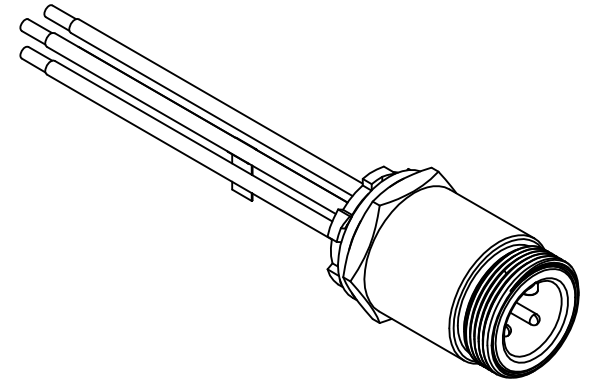
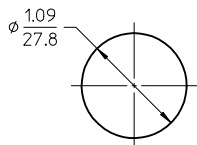


MATERIAL NUMBER	OLD PART NUMBER	FINISH LENGTH
1300660203	CR4C06A30M005	1.64' +1.75"/-0 [0.5M +44.5/-0]



WIRING DIAGRAM



TYPICAL KNOCKOUT

NOTES:

1. MATERIAL: SEE TABLE
2. FINISHES: SEE TABLE
3. PACKAGING: PART IS PACKED IN POLY BAG.
4. FLAG LABEL LOCATED ON GREEN WIRE.
5. MATES WITH: QC 4 POLE FEMALE CABLE ASSEMBLY.
6. ELECTRICAL SPECIFICATIONS:  
VOLTAGE RATING: 600V AC/DC  
CURRENT RATING: 25 AMPS

8	1	FLAG LABEL	VINYL	YELLOW
7	A/R	POTTING	EPOXY	BLACK
6	4	#10-1 WIRE THHN	PVC JACKET	SEE WIRING DIAGRAM
5	1	LOCKNUT	STEEL	ZINC PLATED
4	1	GASKET	NEOPRENE	BLACK
3	4	PIN CONTACT	COPPER ALLOY	GOLD PLATED
2	1	MALE INSERT, 4 POLE	PVC	BLACK
1	1	RECEPTACLE SHELL	ALUMINUM	CLEAR ANODIZED
ITEM	QTY.	DESCRIPTION	MATERIAL	FINISH

INITIAL RELEASE EC NO: MNA2010-0433 DRAWN: CLYORK 2010/01/19 CHKD: BWOODMAN 2010/01/19 APPR: DTITUS 2010/01/20	DESCRIPTION QUALITY SYMBOLS ▽=0 ▽=0
--	--

GENERAL TOLERANCES (UNLESS SPECIFIED)	
4 PLACES	± .010
3 PLACES	± .015
2 PLACES	± .020
1 PLACE	± .030
ANGULAR ±1/2°	
DRAFT WHERE APPLICABLE MUST REMAIN WITHIN DIMENSIONS	

DIMENSION STYLE		SCALE	DESIGN UNITS	THIRD ANGLE PROJECTION
IN/MM		1:1	INCH	
DRAWN BY	DATE	TITLE		
CLYORK	2010/01/18	BRAD POWER MALE, 3/4" NPT, 4 POLE, AC RECEPTACLE ASSEMBLY		
CHECKED BY	DATE	MOLEX INCORPORATED		
BWOODMAN	2010/01/19			
APPROVED BY	DATE	DOCUMENT NO.		
DTITUS	2010/01/20	SD-130066-057		
MATERIAL NO.		SHEET NO.		
SEE CHART		1 OF 1		
SIZE	THIS DRAWING CONTAINS INFORMATION THAT IS PROPRIETARY TO MOLEX INCORPORATED AND SHOULD NOT BE USED WITHOUT WRITTEN PERMISSION			