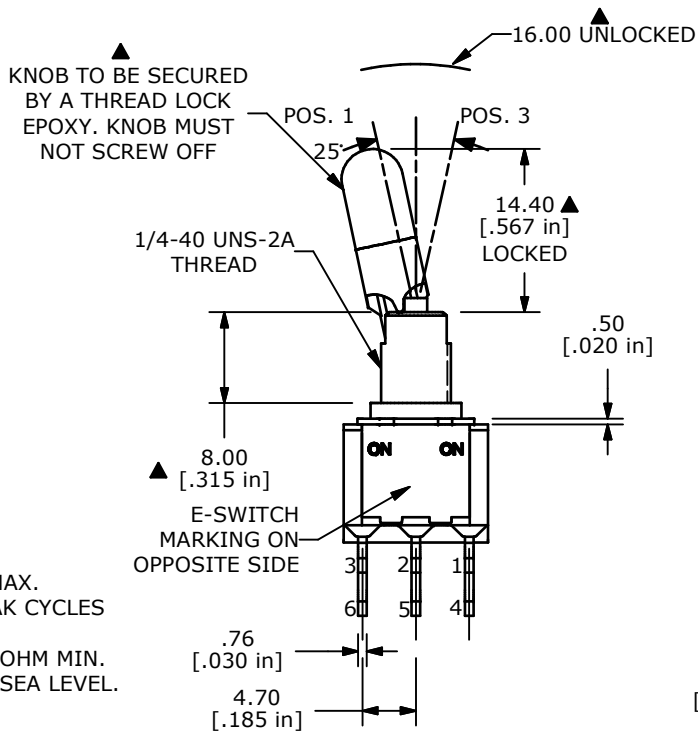
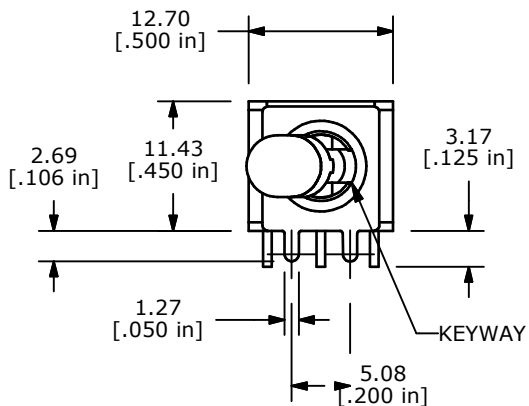
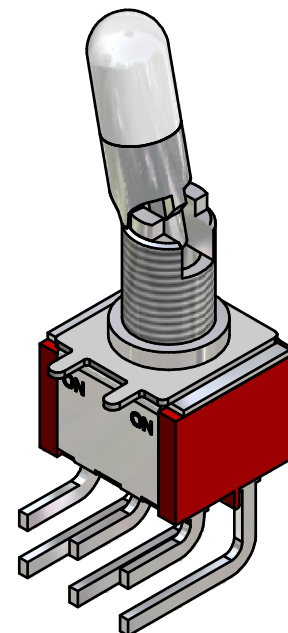


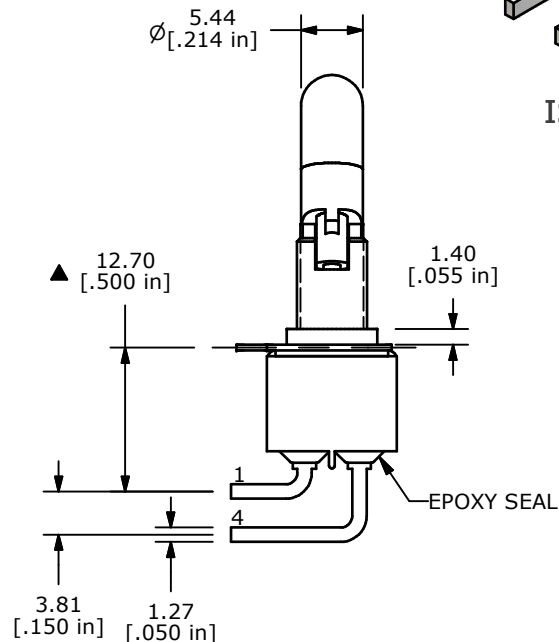
- NOTE:
1. ALL DIMENSIONS IN MM [INCH]
  2. GENERAL TOLERANCE: X.X=±0.4  
X.XX=±0.25
  3. TERMINAL NUMBERS FOR REF ONLY
  4. PLATING MATERIAL: GOLD
  - ▲ 5. RATING: 0.4VA MAX @ 20VAC OR VDC MAX.
  6. ELECTRIC LIFE: 40,000 MAKE-AND-BREAK CYCLES AT FULL LOAD.
  7. INSULATION RESISTANCE: 1,000 MEGA-OHM MIN.
  8. DIELECTRIC STRENGTH: 1,000 V RMS @SEA LEVEL.
  9. OPERATING TEMP.: -30°C to 85°C
  10. ▲ DENOTES CRITICAL PARAMETER.
  11. 2002/95/EC (ROHS) COMPLIANT.



SWITCH FUNCTION		
POS. 1	POS. 2	POS. 3
ON	NONE	ON
2-3, 5-6	N/A	2-1, 5-4



ISOMETRIC



C	17572	FIXED TERMINAL NUMBERS	8/17/07	BF
B	17044	FIXED TERMINAL NUMBERS	2/28/07	TN
A	16275	RELEASED FOR PRODUCTION	8/3/06	BO
REV	PCR NO	DESCRIPTION	DATE	BY



TITLE 100DP1K1B25M6RE

SCALE	DATE	DR	DWG	REV
1.5:1	8/17/2007	BF	T121079	C

THE INFORMATION CONTAINED IN THIS DOCUMENT IS PROPRIETARY TO E-SWITCH AND IS NOT TO BE COPIED OR TRANSFERRED