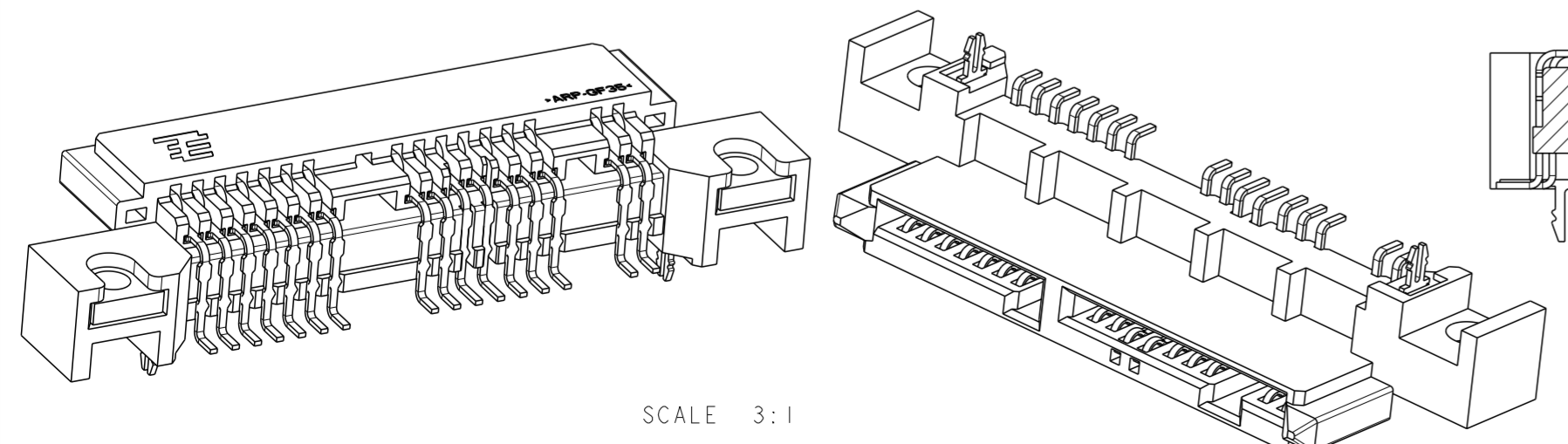
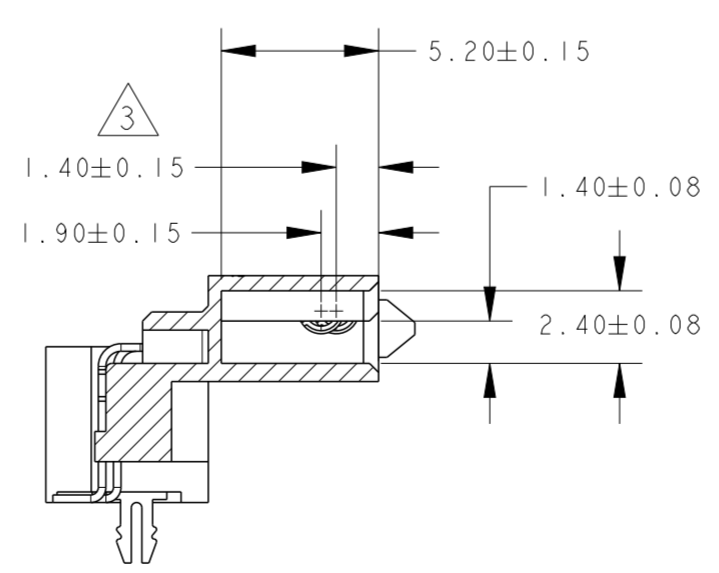
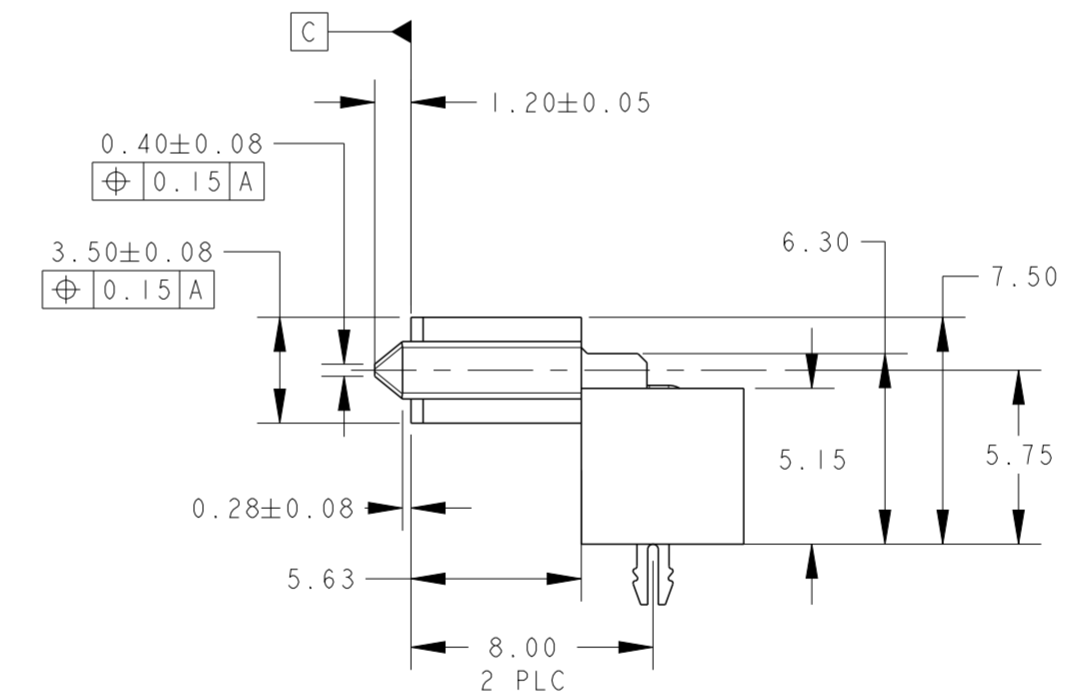
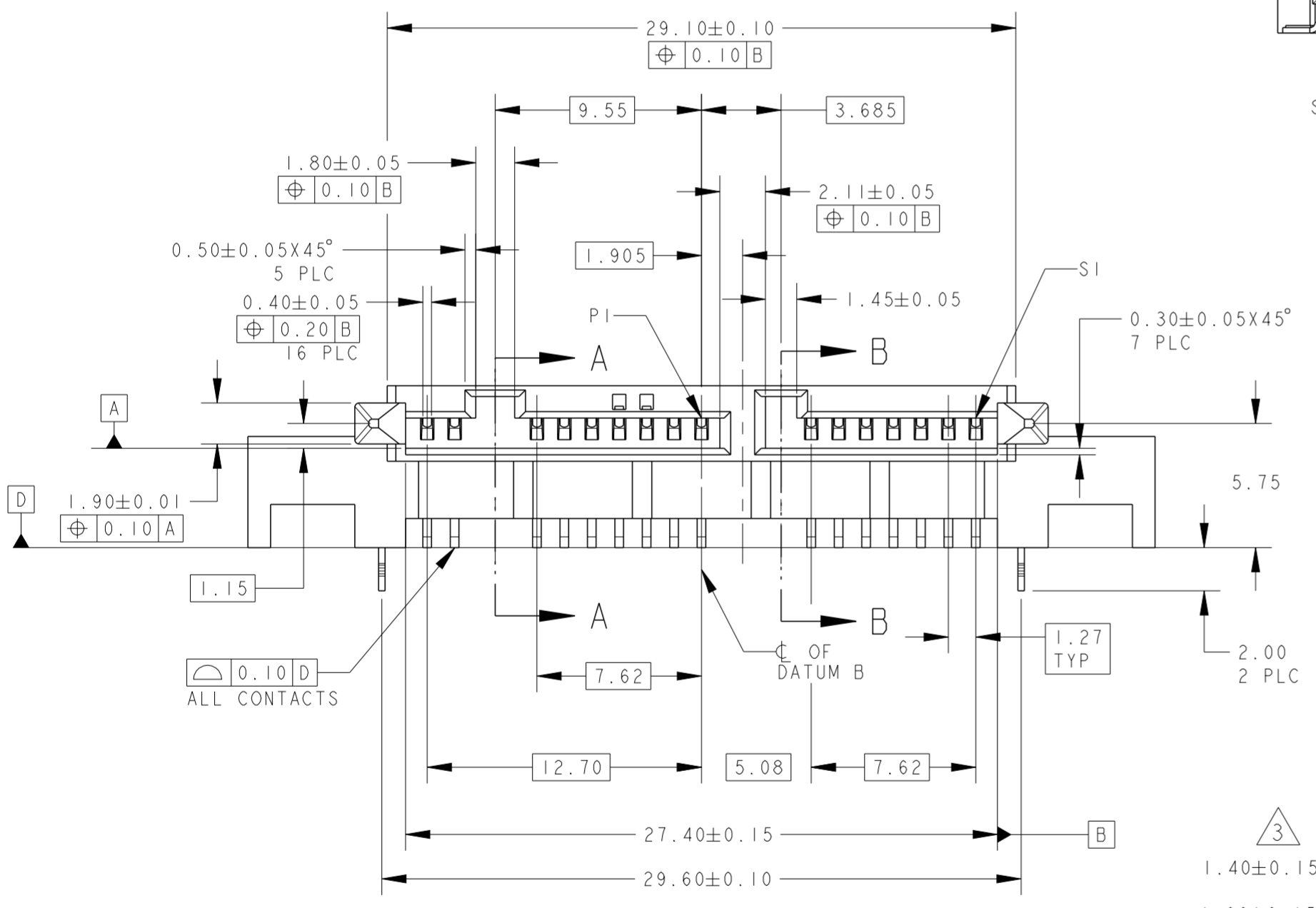
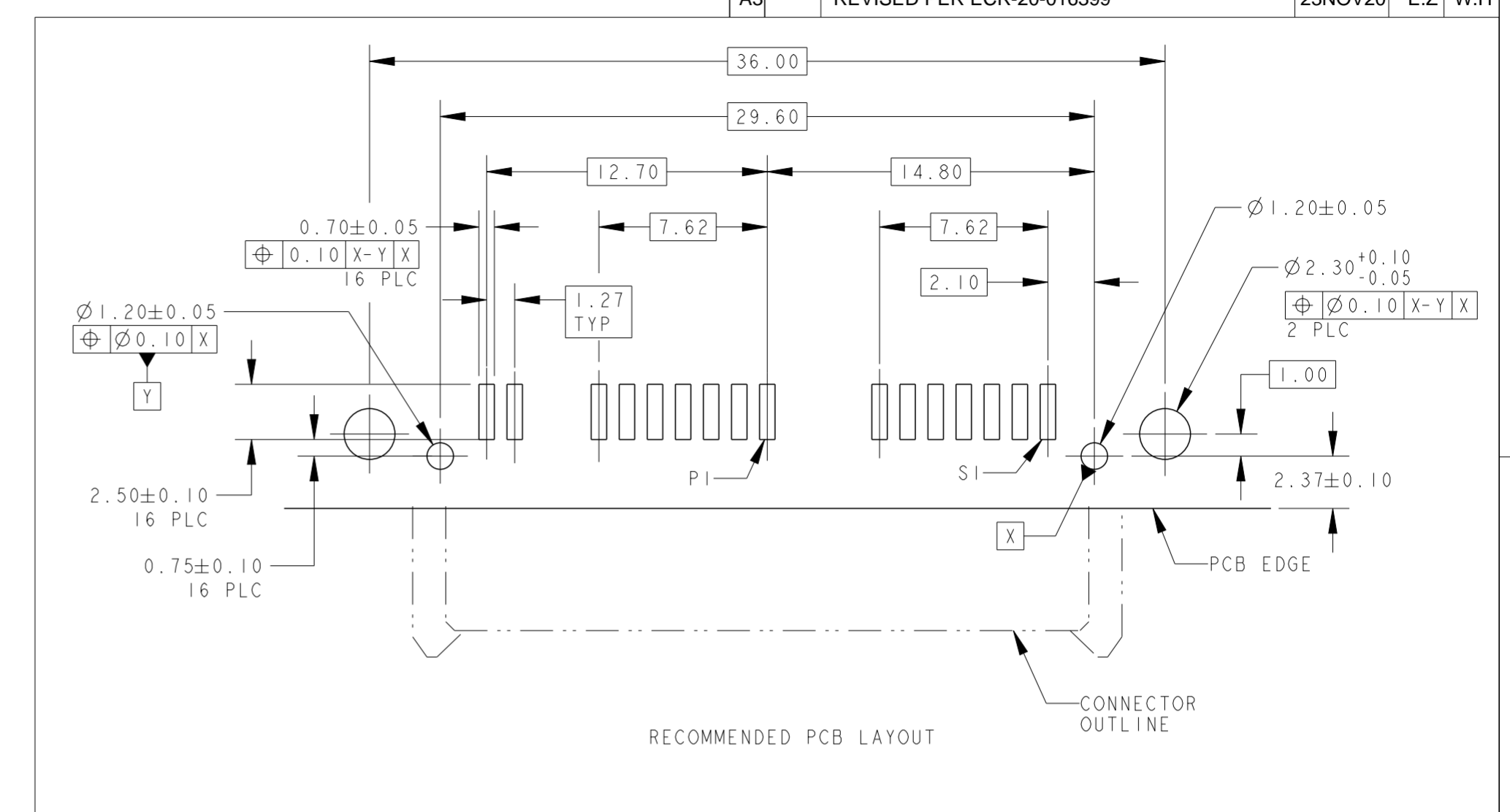
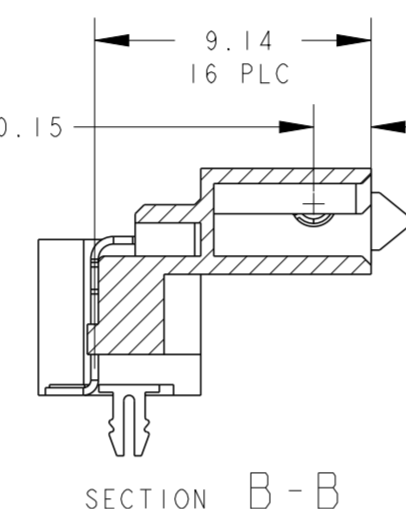
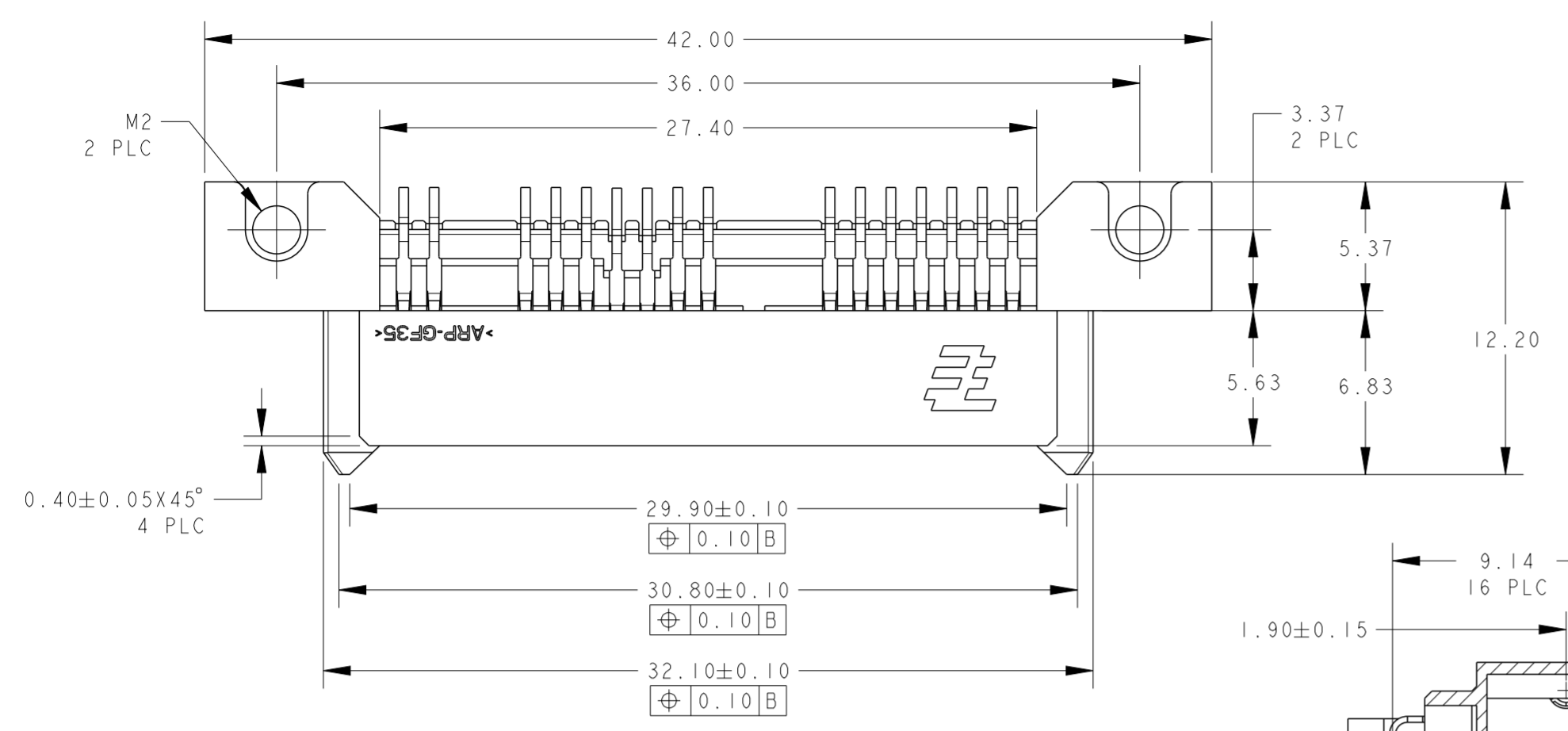


THIS DRAWING IS UNPUBLISHED. RELEASED FOR PUBLICATION 20  
 © COPYRIGHT 20 BY - ALL RIGHTS RESERVED.

LOC		DIST		REVISIONS			
P	LTR	DESCRIPTION	DATE	DWN	APVD		
A3		REVISED PER ECR-20-016399	23NOV20	E.Z	W.H		



SCALE 3:1

NOTES:

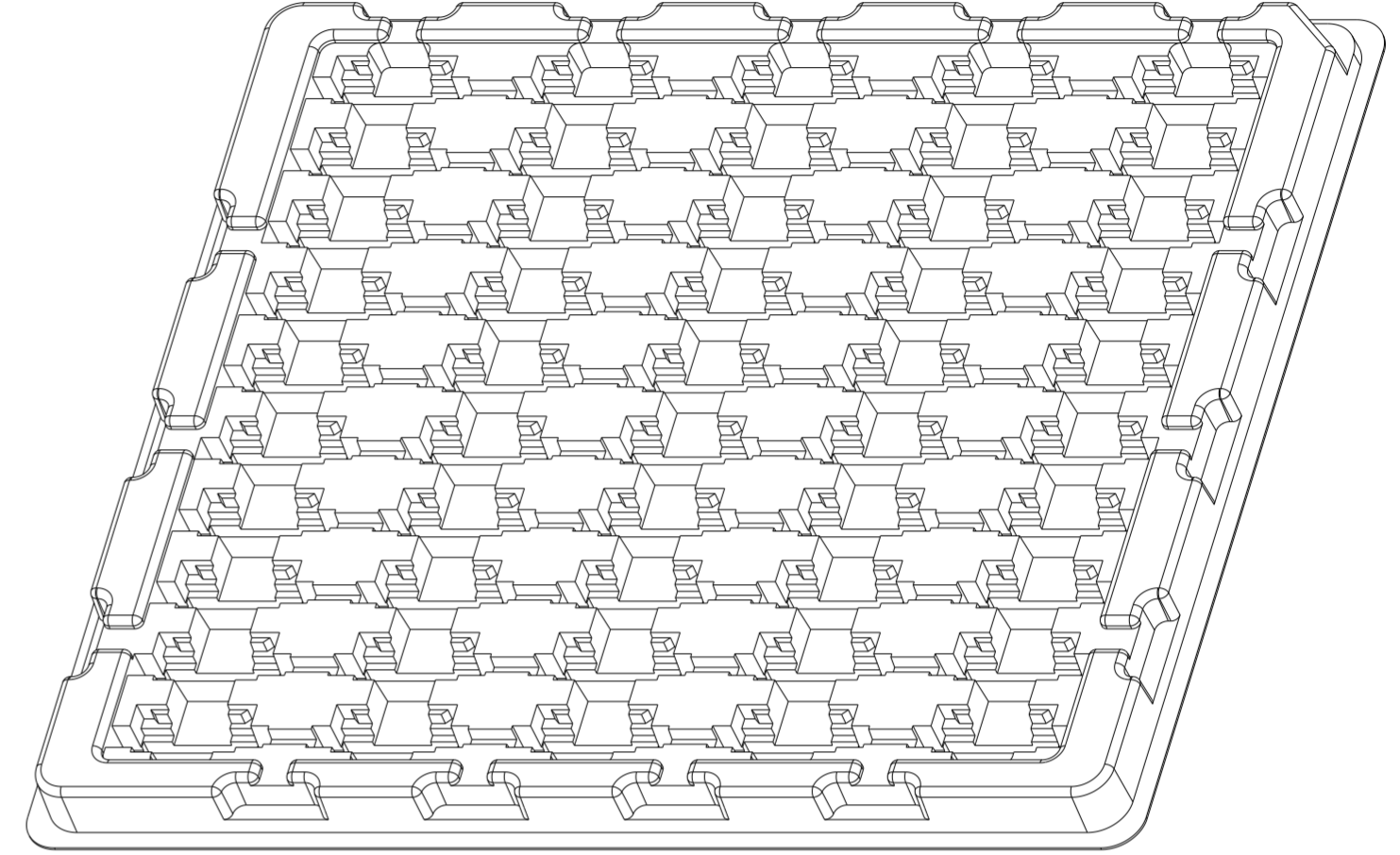
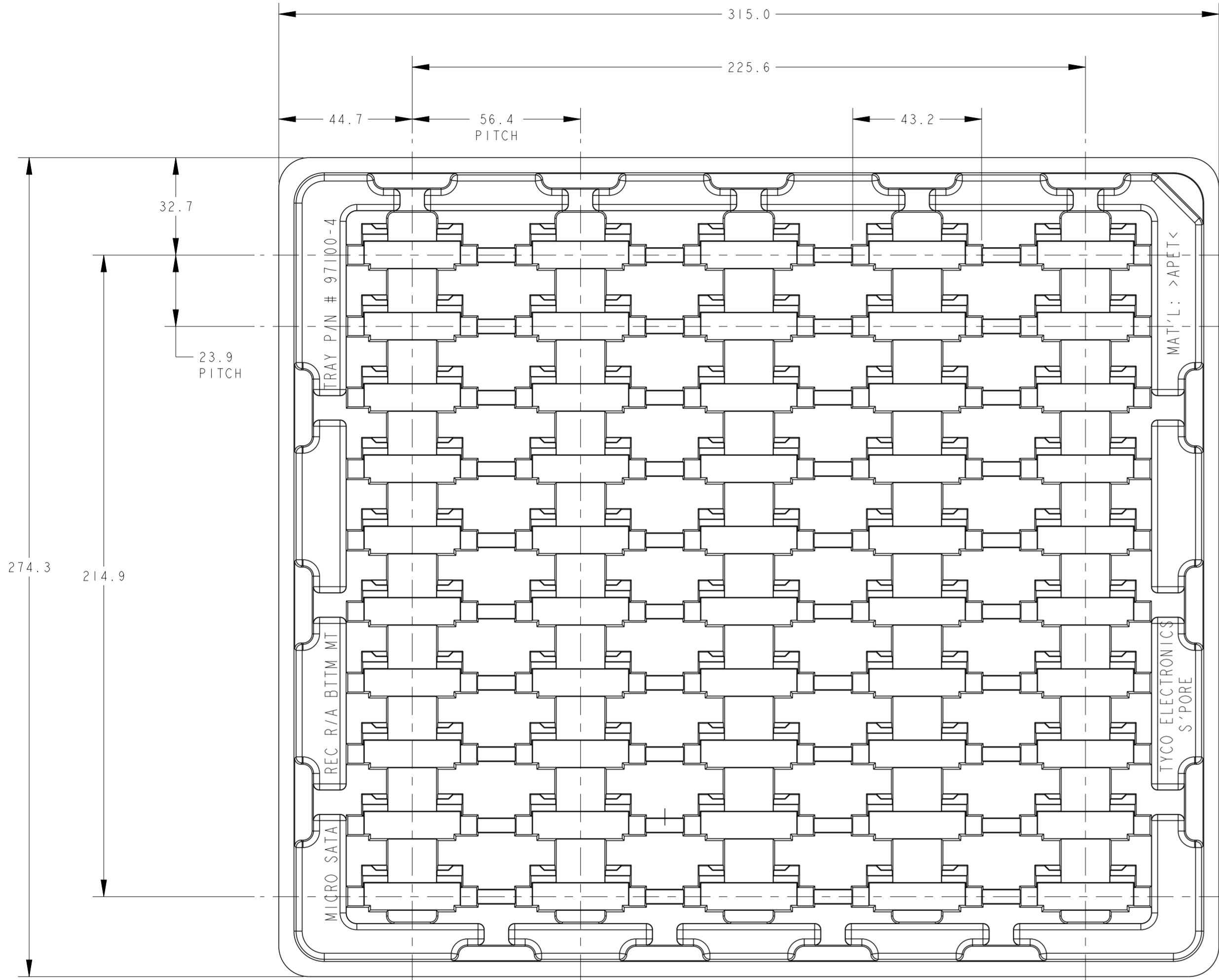
- 1 MATERIAL:  
 HOUSING: HIGH TEMP THERMOPLASTIC, UL94V-0, COLOR: BLACK  
 CONTACT: COPPER ALLOY  
 BOARDLOCK: COPPER ALLOY  
 M2 NUT: STEEL
- 2 FINISH:  
 CONTACT MATING AREA: GOLD PLATING OR GOLD FLASH OVER  
 PALLADIUM-NICKEL (REFER TO TABLE)  
 CONTACT SOLDER TAIL: MIN 2.54µm MATTE TIN PLATING  
 BOARDLOCK: MIN 2.54µm MATTE TIN PLATING  
 UNDERPLATE: MIN 1.27µm NICKEL PLATING ALL OVER
- 3 PIN #P3 AND #P4 ONLY

REEL	GOLD FLASH ONLY	I-1735583-3
	0.38µm [15u"] MIM	I-1735583-2
	0.76µm [30u"] MIN	I-1735583-1
TRAY	GOLD FLASH ONLY	1735583-3
	0.38µm [15u"] MIM	1735583-2
	0.76µm [30u"] MIN	1735583-1
PACKAGE TYPE	AU OR PD-NI THICKNESS	PART NUMBER

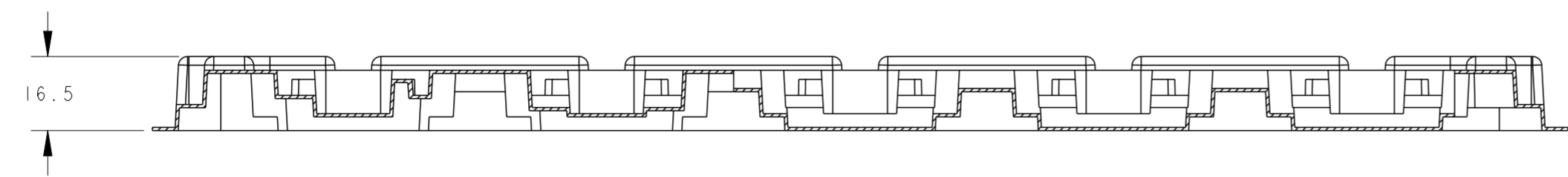
THIS DRAWING IS A CONTROLLED DOCUMENT.		DWN TY PANG	12NOV2007	TE Connectivity
DIMENSIONS: mm		CHK SF LEONG	04JAN2008	
TOLERANCES UNLESS OTHERWISE SPECIFIED:		APVD SF LEONG	04JAN2008	
0 PLC ± 1 PLC ± 2 PLC ±0.20 3 PLC ± 4 PLC ± ANGLES ±3° FINISH		PRODUCT SPEC	-	
MATERIAL	1	APPLICATION SPEC	-	NAME MICRO SATA RECEPTACLE, 16P RIGHT ANGLE, SMT BOTTOM MOUNT, H5.75
WEIGHT		SCALE	4:1	RESTRICTED TO
CUSTOMER DRAWING		SIZE	A200779	DRAWING NO
SCALE 4:1		CAGE CODE	C-1735583	
SHEET 1 OF 3		REV	A3	

THIS DRAWING IS UNPUBLISHED. RELEASED FOR PUBLICATION 20  
 © COPYRIGHT 20 BY - ALL RIGHTS RESERVED.

LOC	DIST	REVISIONS				
P	LTR	DESCRIPTION	DATE	DWN	APVD	
DY	-	SEE SHEET 1	-	-	-	



4. PACKAGE MATERIAL TRAY: APET

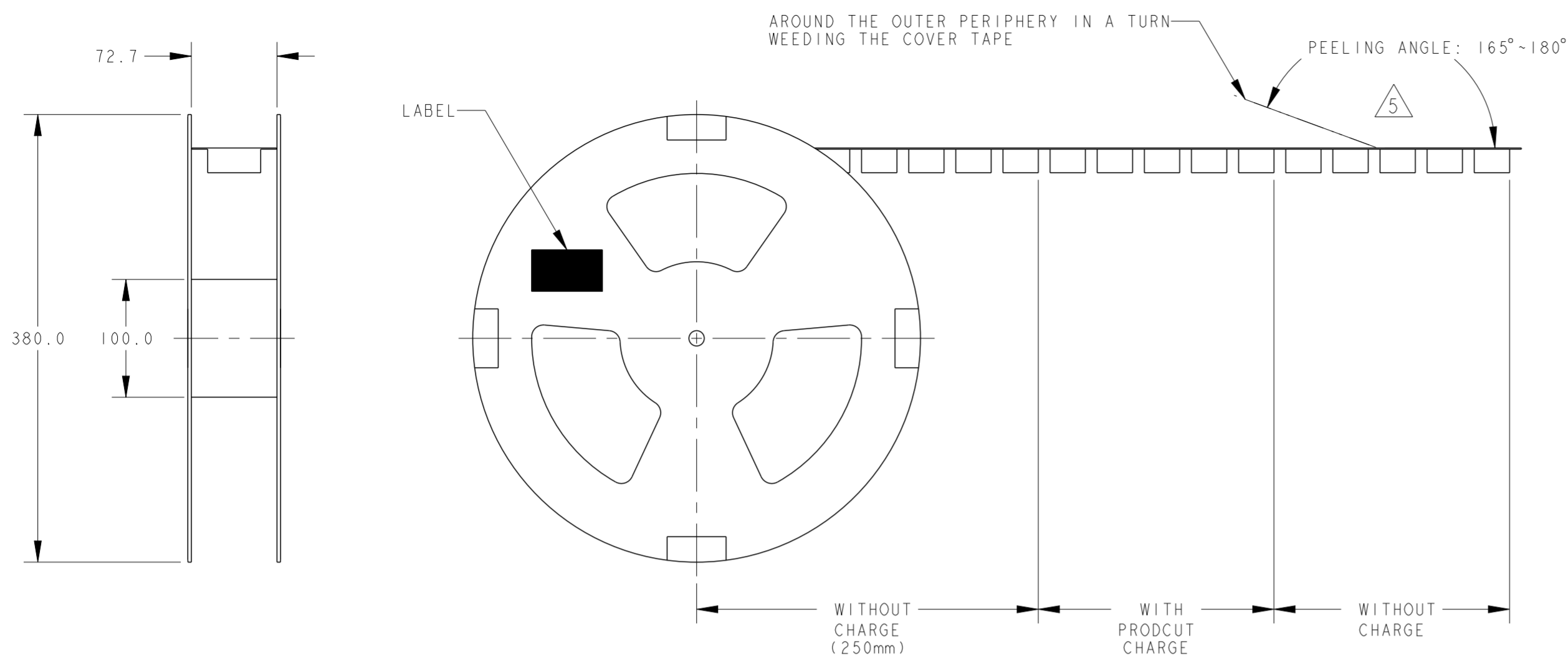


50	11	550	1735583-3
			1735583-2
			1735583-1
PCS/TRAY	TRAY/BOX	PCS/BOX	PART NUMBER

THIS DRAWING IS A CONTROLLED DOCUMENT.		DWN	<b>STE</b> TE Connectivity	
DIMENSIONS: mm		CHK		
TOLERANCES UNLESS OTHERWISE SPECIFIED:		APVD	NAME MICRO SATA RECEPTACLE, 16P RIGHT ANGLE, SMT BOTTOM MOUNT, H5.75	
0 PLC ±		PRODUCT SPEC		
1 PLC ±3		APPLICATION SPEC	SIZE	CAGE CODE
2 PLC ±2		WEIGHT	A2	00779
3 PLC ±1		CUSTOMER DRAWING	DRAWING NO	1735583
4 PLC ±			RESTRICTED TO	-
ANGLES ±3°			SCALE	NONE
FINISH			SHEET	2 OF 3
			REV	A3

THIS DRAWING IS UNPUBLISHED. RELEASED FOR PUBLICATION 20  
 © COPYRIGHT 20 BY - ALL RIGHTS RESERVED.

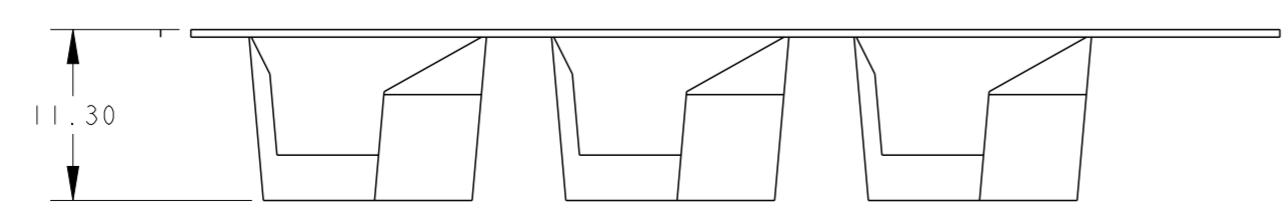
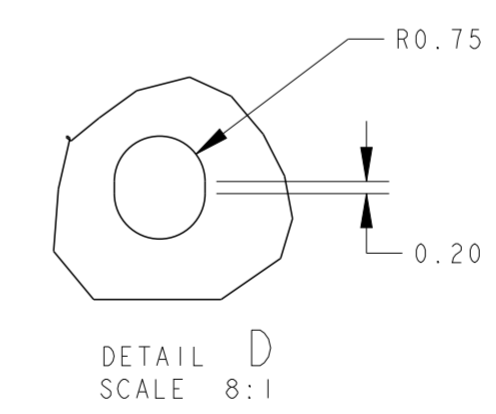
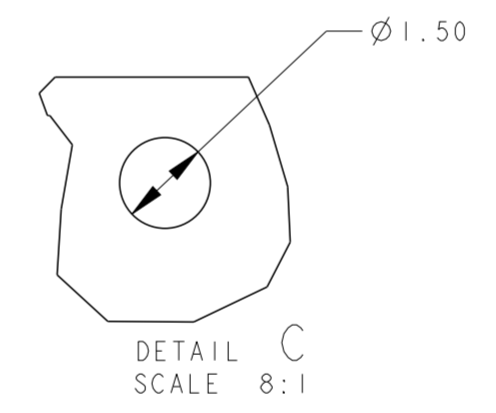
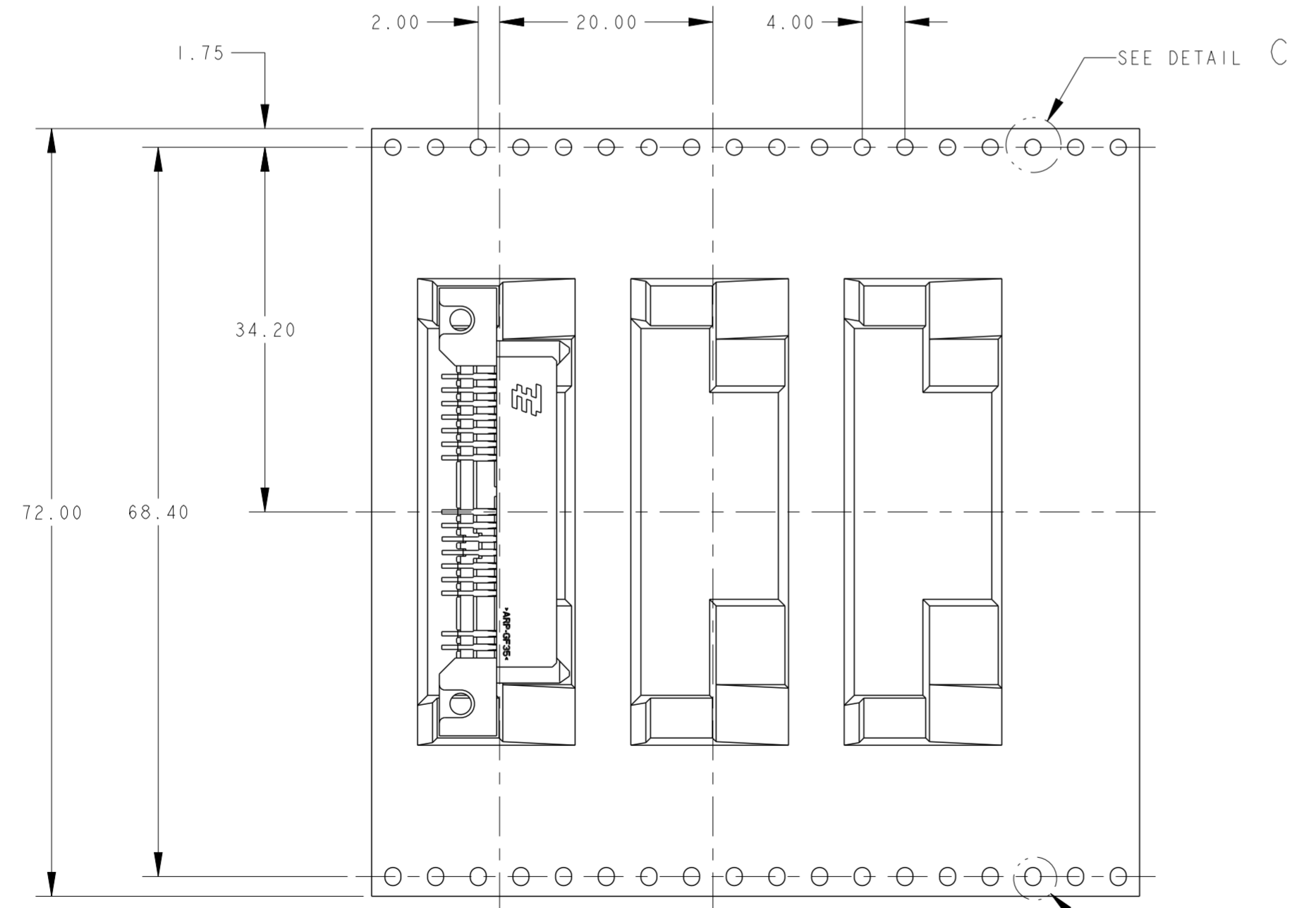
LOC		DIST		REVISIONS				
P	LTR	DESCRIPTION	DATE	DWN	APVD			
-	-	SEE SHEET 1	-	-	-			



5 PEELING STRENGTH OF COVER TAPE: 0.2N~1.2N

6. PACKAGE MATERIAL  
 CARRY TAPE: PS, COLOR: BLACK  
 COVER TAPE: PET, COLOR: CLEAR

USER DIRECTION OF UNREELING →



400	3	1200	1-1735583-3
			1-1735583-2
			1-1735583-1
PCS/REEL	REEL/BOX	PCS/BOX	PART NUMBER

THIS DRAWING IS A CONTROLLED DOCUMENT.		DWN	<b>STE</b> TE Connectivity	
DIMENSIONS: mm		CHK		
TOLERANCES UNLESS OTHERWISE SPECIFIED:		APVD	NAME	
0 PLC	±	PRODUCT SPEC	MICRO SATA RECEPTACLE, 16P	
1 PLC	±1	APPLICATION SPEC	RIGHT ANGLE, SMT	
2 PLC	±0.5		BOTTOM MOUNT, H5.75	
3 PLC	±	WEIGHT	SIZE	CAGE CODE
4 PLC	±		A2	00779
ANGLES	±3°	CUSTOMER DRAWING	DRAWING NO	RESTRICTED TO
FINISH			G-1735583	-
			SCALE	SHEET
			NONE	3 OF 3
				REV A3