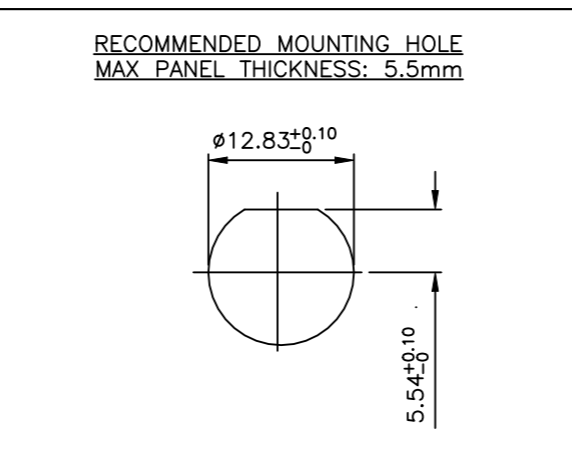
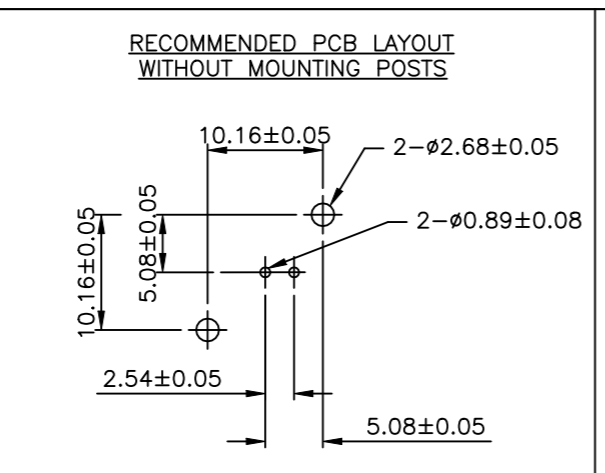
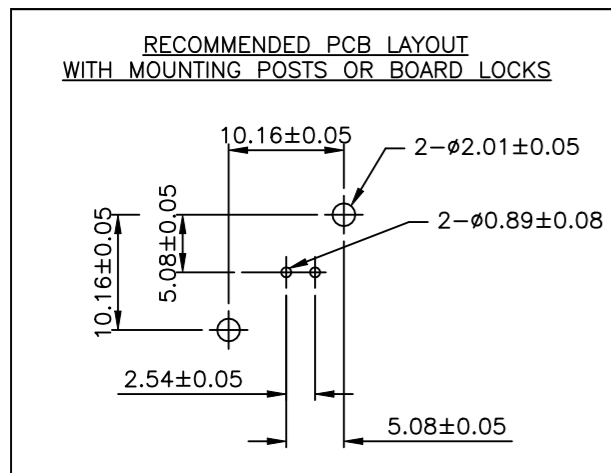
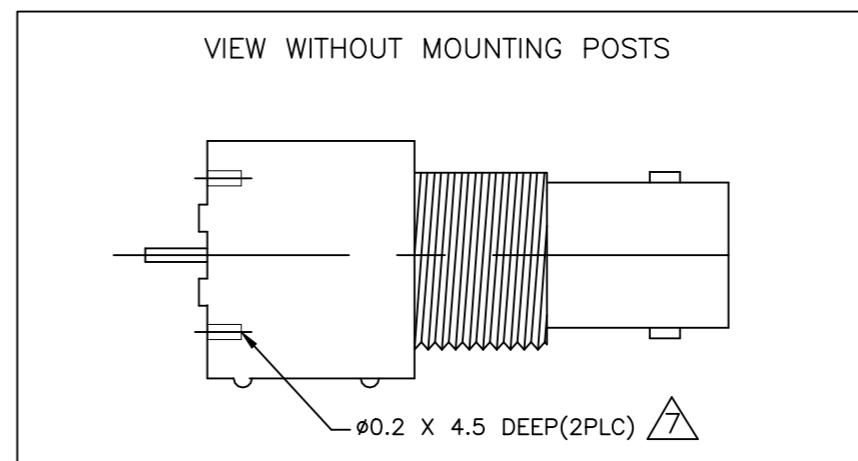
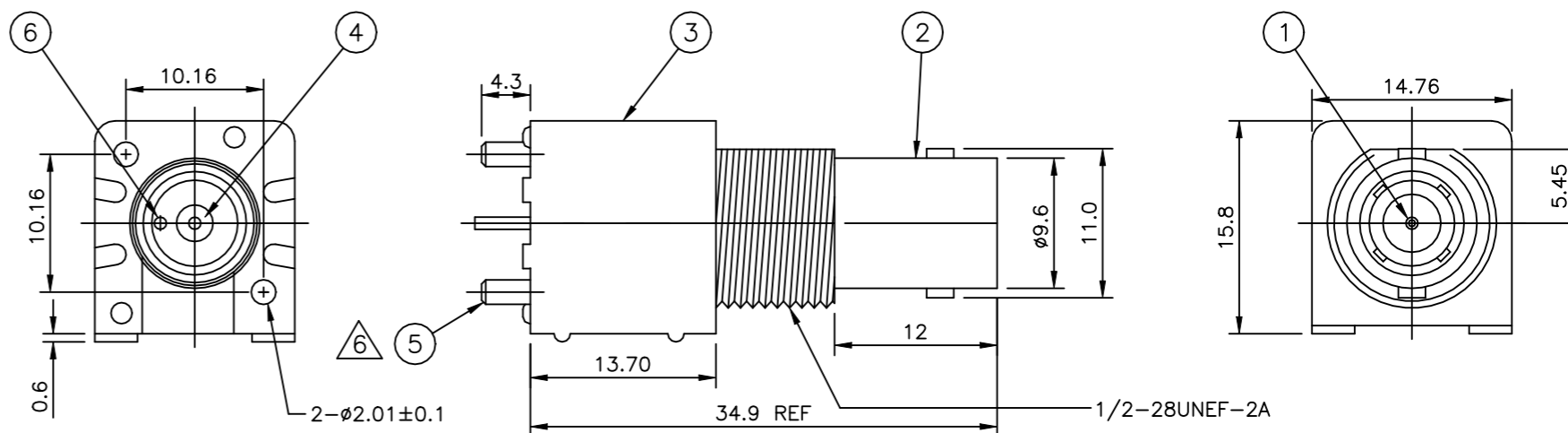


REVISIONS

P	LTR	DESCRIPTION	DATE	DWN	APVD
	D2	REVISED PER ECN-22-141944	04MAR2022	RZ	WK

NOTES:

- ① SINGLE PACK IN ACCORDANCE WITH AMP SPEC 107-3275
- ② 50 TRAY PACK IN ACCORDANCE WITH AMP SPEC 107-3275
- ③ Au PLATING OVER Ni PLATING OVER Cu PLATING
- ④ Ni PLATING OVER Cu PLATING
- ⑤ TIN PLATING
- ⑥ MOUNTING POSTS ARE OPTIONAL SEE TABLE FOR PART NUMBERS
- ⑦ RECOMMENDED SELF-TAPPING SCREW 221108-4
- 8. RECOMMENDED MOUNT NUT 1-1634816-0
- 9. RECOMMENDED LOCKWASHER 1-1634817-0
- 10. FOR TECHNICAL DATA REFER TO YOUR LOCAL TE CONNECTIVITY SALES OFFICE
- 11. ALL DIMENSIONS ARE NOMINAL FOR REFERENCE ONLY UNLESS OTHERWISE STATED



		Obsolete	Obsolete					
		1	1	1	1	BRASS	③ SOLDER TAIL	6
		-	-	2	2	BRASS	③ MOUNTING POST	5
		1	1	1	1	PE-606	INSULATOR	4
		1	1	1	1	PBT WHITE	HOUSING	3
		1	1	1	1	ZINC ALLOY	④ BODY	2
		1	1	1	1	BRASS	④ CONTACT	1
		6--1	1--1	6--0	1--0	MATERIAL	DESCRIPTION	ITEM
		②	①	②	①			
QUANTITY PER ASSY				PARTS LIST				

THIS DRAWING IS A CONTROLLED DOCUMENT.

DWN	RITA ZUO	06 Mar 09	 TE Connectivity	BNC STRAIGHT INSULATED PCB SOCKET 75 OHM WHITE						
CHK	ANSON MA	06 Mar 09								
APVD	BOB ZHAO	06 Mar 09								
PRODUCT SPEC	108-112000									
APPLICATION SPEC			SIZE	CAGE CODE	DRAWING NO	RESTRICTED TO				
MATERIAL	SEE TABLE	FINISH	WEIGHT	0.000000	A3 00779	C-1478033				
			CUSTOMER DRAWING		SCALE	NTS	SHEET	1 OF 1	REV	D2