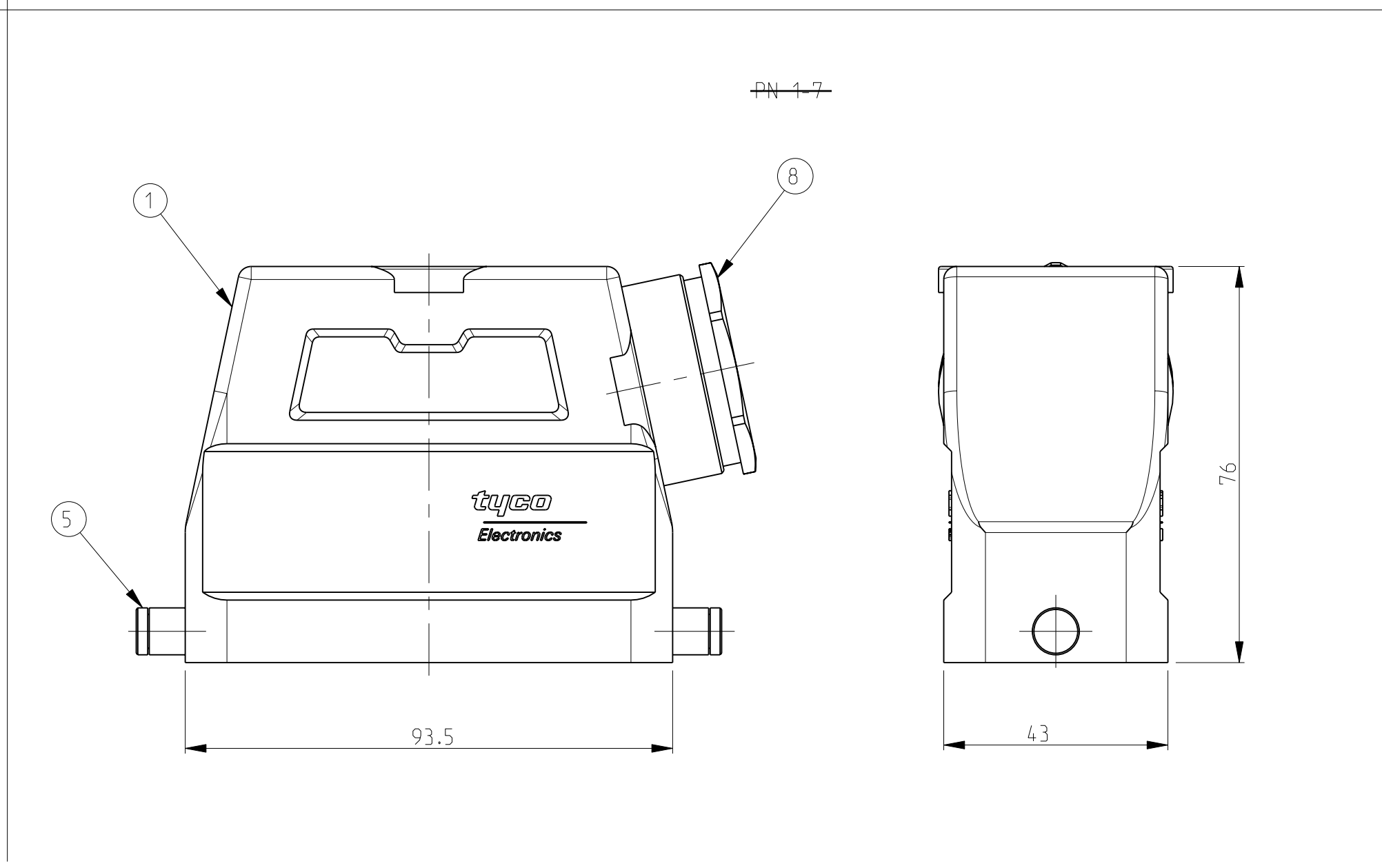
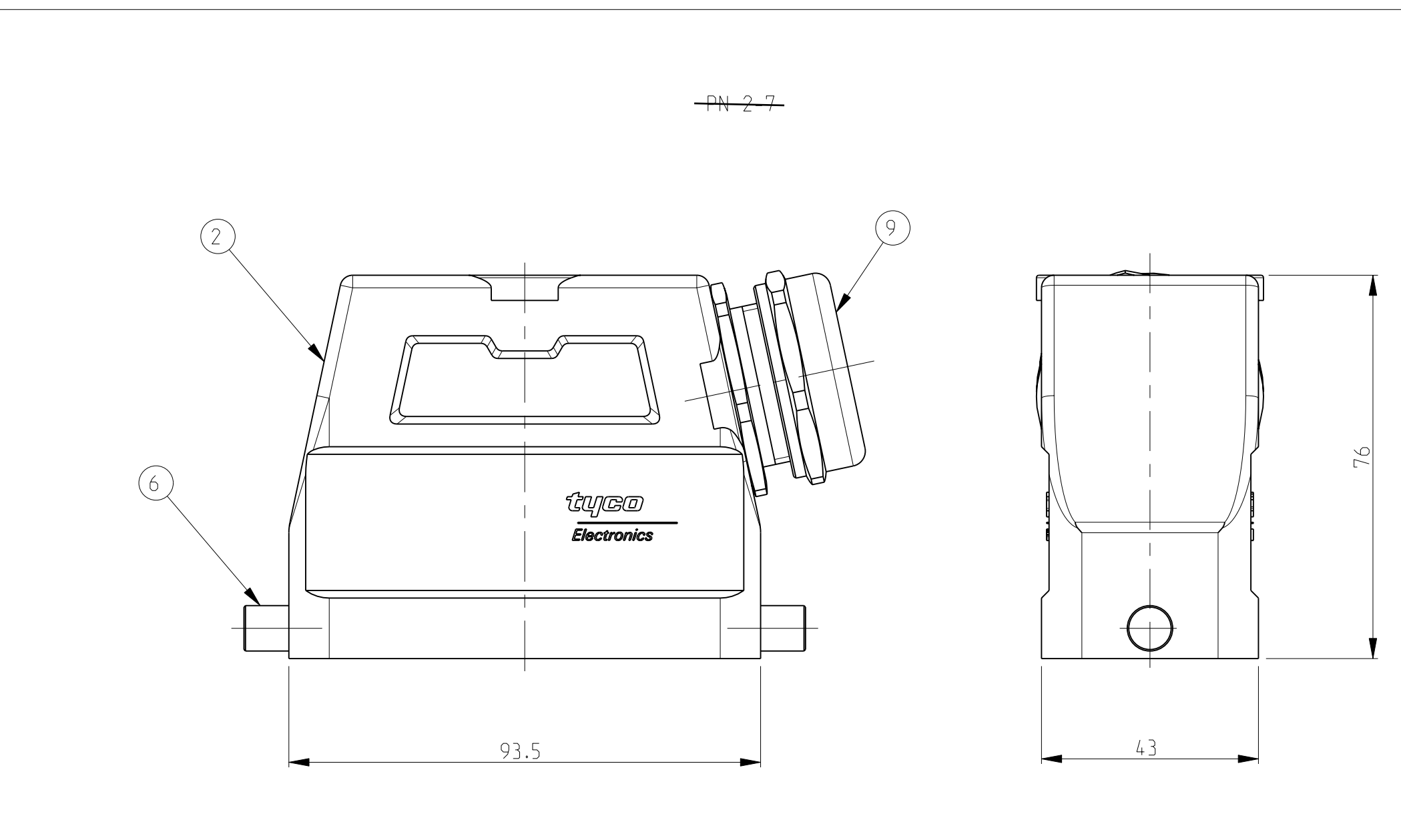
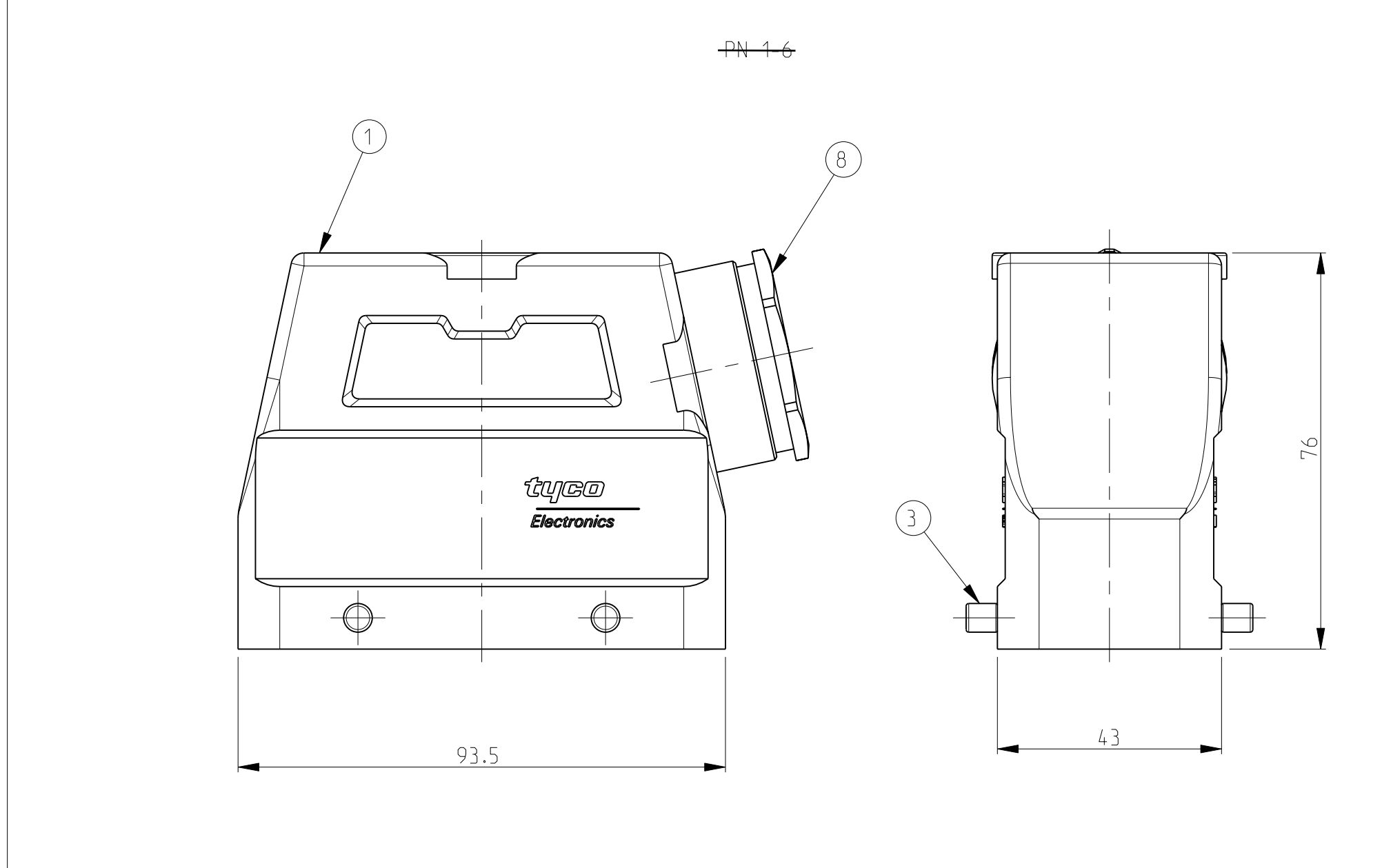
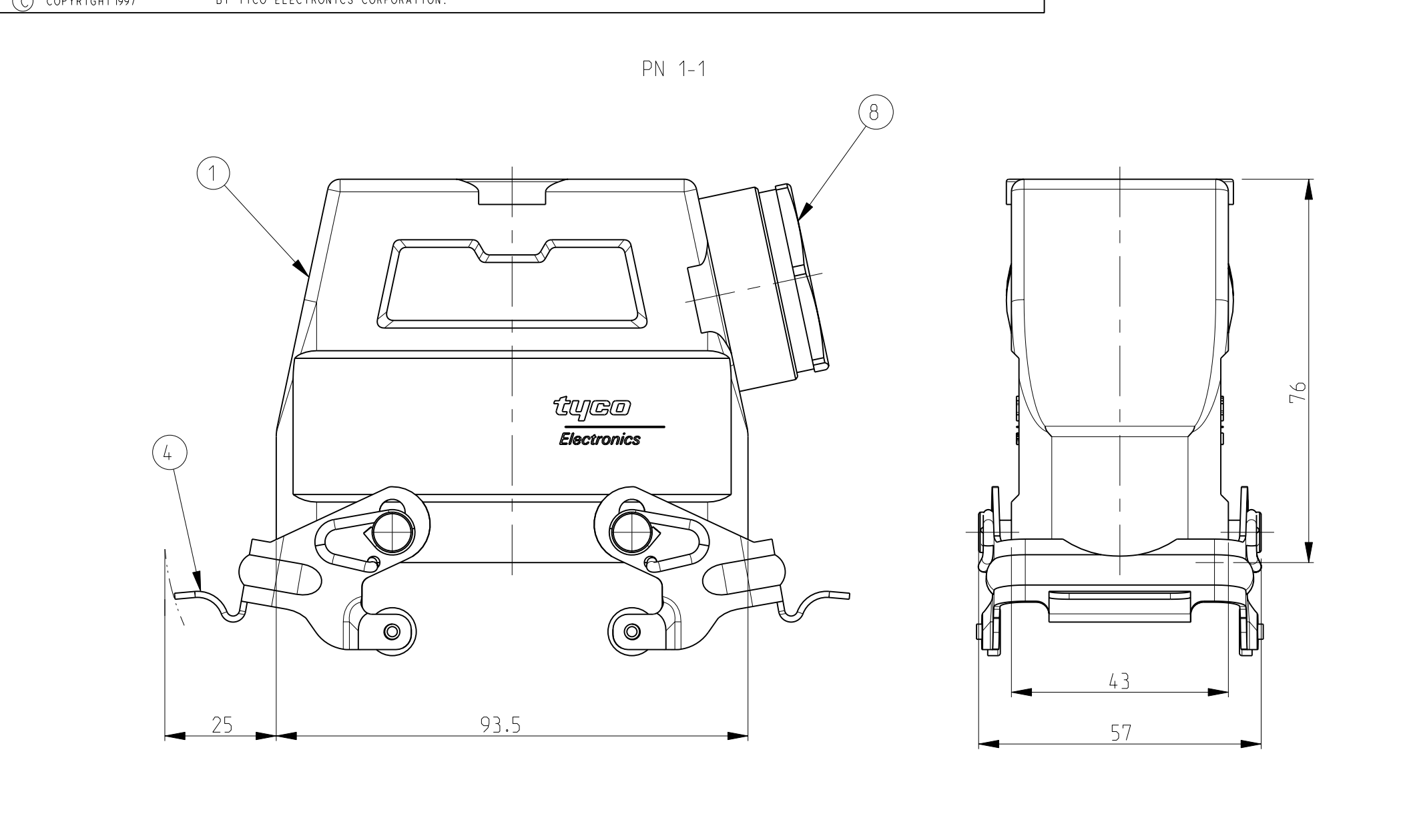
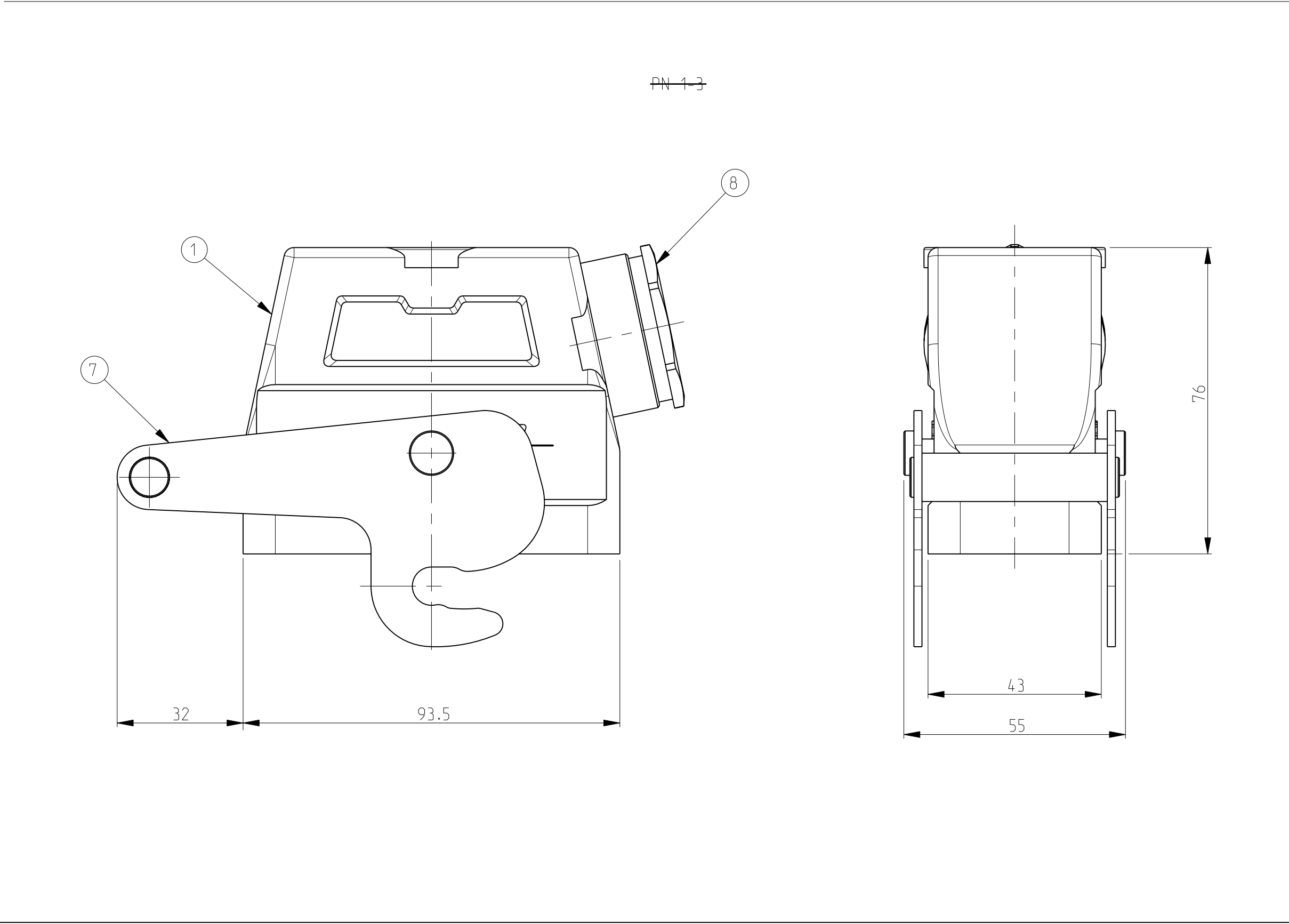
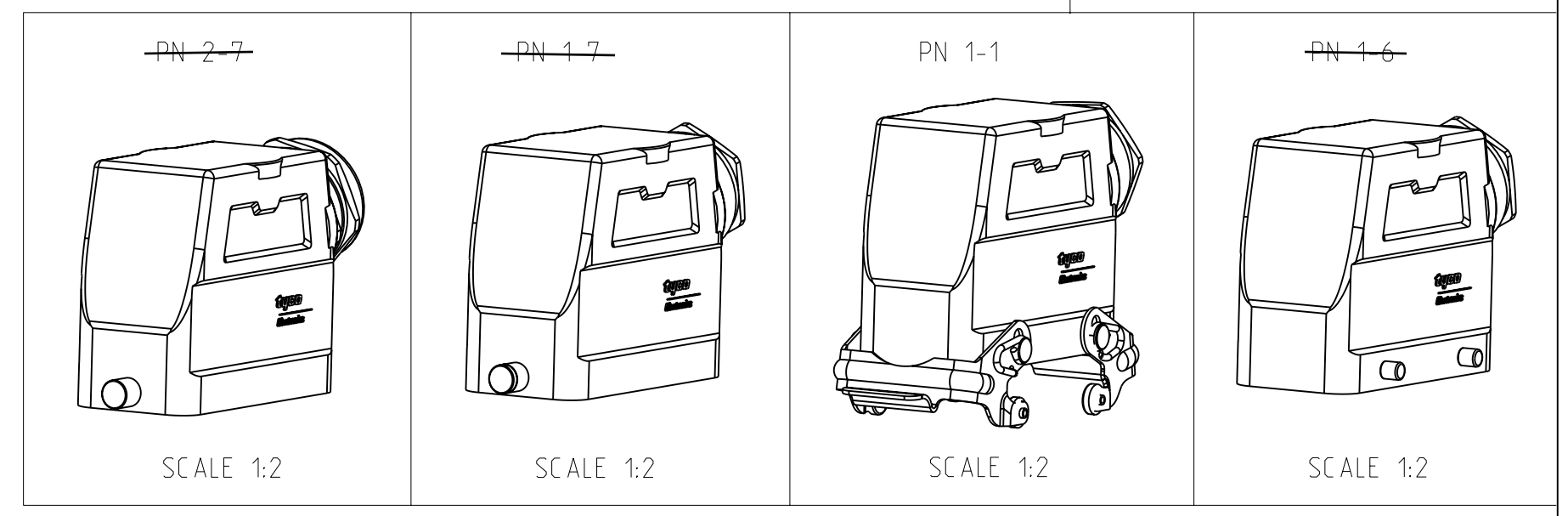
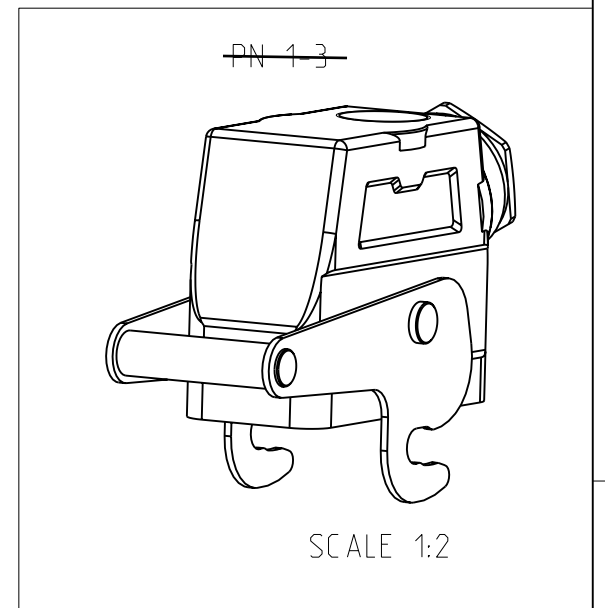


LOC	DIST	REVISIONS			
P	LTR	DESCRIPTION	DATE	DWN	APVD
A1	-	Released as per ECR-07-012890	11-07-07	SK	TS
A3	-	ECR-17-013084	29MAR18	SG	MKO



- NOTES
- Material: Housing: aluminium diecasting alloy
 - Surface:- powder varnish-grey
Varnish black
 - Varnish on the inside not necessarily
 - Packaging quantity: 5 pieces
- 5** OBSOLETE



QTY	DESCRIPTION	MATERIAL	SURFACE	COLOR	ITEM NO	NOTES
1	Gland fitting	Brass	Nickel plated	Blue	9	PG29
1	Gland round	Brass	Nickel plated	Blue	8	PG29
1	Central clip	Steel	Zinc plated	Blue	7	-
2	Clip bolt	V2A/Steel	-	-	6	-
2	Clip bolt	Steel	Zinc plated	Blue	5	-
2	Side clip	Steel	Zinc plated	Blue	4	-
4	Clip bolt	Steel	Zinc plated	Blue	3	-
1	HD-K Hood	Aluminium	Aluminium oxide	Black	2	-
1	HD Hood	Aluminium	-	Grey	1	-

ORDERING TEXT

HD.40.STS-1.29

HD.40.STS-VS-1.29

HD.40.STS-GR-1.29

HD.K40.STS-GR-1.29

HD.Z40.STS-ZD-1.29

DIMENSIONS: mm		TOLERANCES UNLESS OTHERWISE SPECIFIED:		DWN: Schneider 16.07.03		CWE: Schneider 16.07.03		NAME: HOOD	
MATERIAL: FINISH		APVD: -		PRODUCT SPEC: -		APPLICATION SPEC: -		SCALE: 1:1	
CUSTOMER DRAWING		WEIGHT: -		SIZE: A 00779		DRAWING NO: C=1102565		SHEET 1 OF 1	
								REV: A3	