

参考基板レイアウト (マウント面)
P.C.B. PATTERN DIMENSION (REFERENCE)
(MOUNTING AREA)

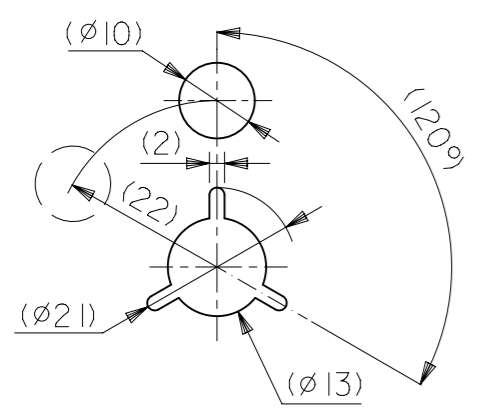
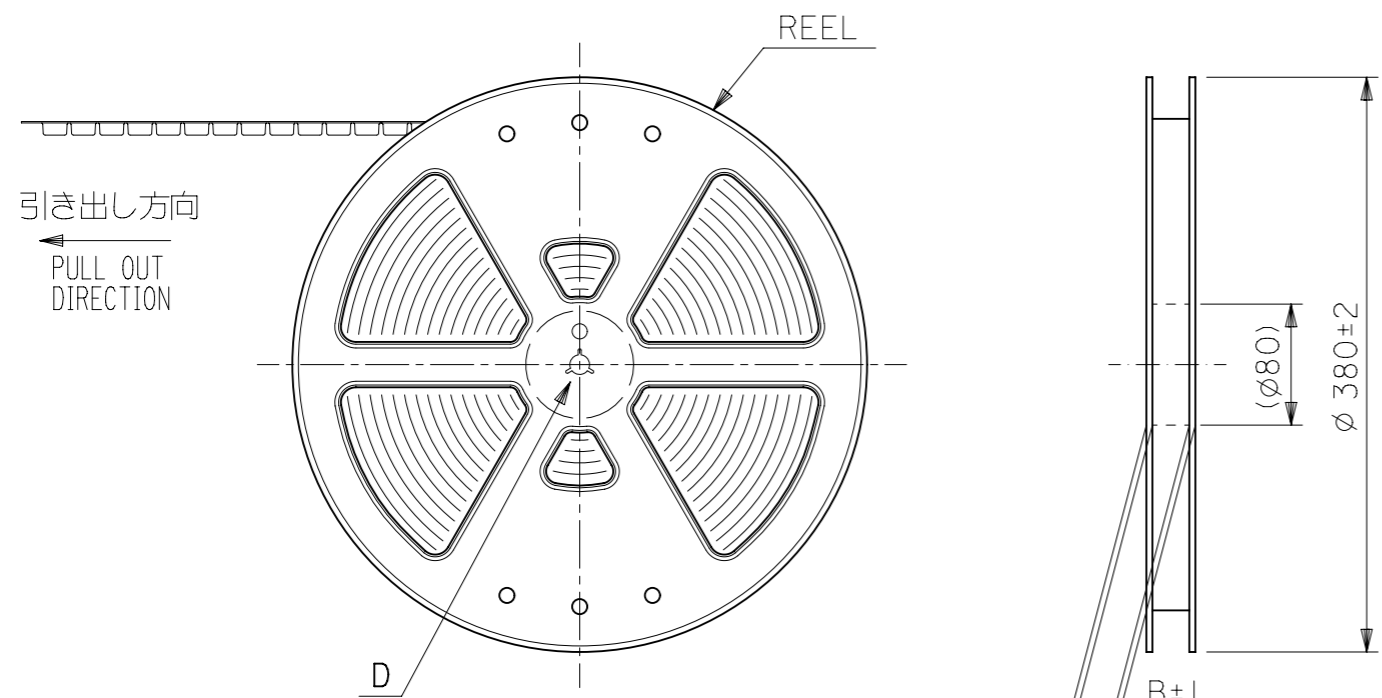
注記 NOTES

- 使用材料 MATERIAL
ハウジング: 液晶ポリマー ガラス充填 UL94V-0 茶色
HOUSING: LIQUID CRYSTAL POLYMER, GLASS FILLED, UL94V-0, COLOR BROWN
ターミナル: リン青銅 (t=0.15)
TERMINAL: PHOSPHOR BRONZE (t=0.15)
- メッキ仕様 PLATING
金メッキ (コンタクト部)
GOLD PLATING (CONTACT AREA)
錫メッキ (テール部)
TIN PLATING (TAIL AREA)
下地メッキ: ニッケルメッキ
UNDER PLATING: NICKEL
- △3 テール部に適用。
APPLY TO THE TAIL AREA.
- 嵌合相手: 55394 / 503376 シリーズ
MATE WITH: 55394 / 503376 SERIES.
- テール平坦度は、0.08 以下
TAIL COPLANARITY TO BE 0.08 MAXIMUM
- ELV及びRoHS適合品
ELV AND RoHS COMPLIANT

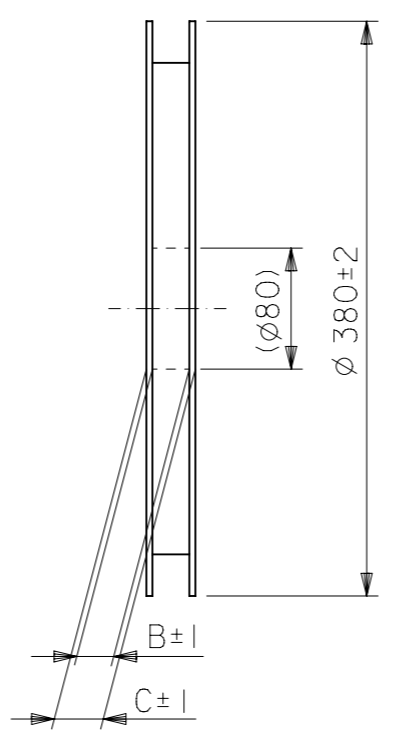
9.0	7.6	9.6	54552-4016	40
7.0	5.6	7.6	54552-3016	30
C	B	A	EMBOSSED TAPE	CKT.
			ORDER No. オーダー番号	
CONNECTOR SERIES No. : 54552-**15				

GENERAL TOLERANCES (UNLESS SPECIFIED)		
10 UNDER	±0.2	
10 OVER 30 UNDER	±0.25	
30 OVER	±0.3	

THIS DRAWING CONTAINS INFORMATION THAT IS PROPRIETARY TO MOLEX ELECTRONIC TECHNOLOGIES, LLC AND SHOULD NOT BE USED WITHOUT WRITTEN PERMISSION		CURRENT REV DESC: OBSOLETE PART NUMBERS		molex	
DIMENSION UNITS: mm		SCALE: 8:1			
GENERAL TOLERANCES (UNLESS SPECIFIED)		EC NO: 644856		0.4 B/B CONN R/A REC HSG ASSY WITHOUT BOSS	
4 PLACES: ±		DRWN: RPRABHUM 2020/07/06		PRODUCT CUSTOMER DRAWING	
3 PLACES: ±		CHK'D: GGA 2020/10/07		DOCUMENT NUMBER: SD-54552-025	
2 PLACES: ±		APPR: GGA 2020/10/07		DOC TYPE: PSD	
1 PLACE: ±		INITIAL REVISION: DRWN: KTOYODA 2010/03/29		DOC PART: 001	
0 PLACES: ±		APPR: MSASAO 2010/03/29		REVISION: B	
ANGULAR TOL: ± 3.0°		DRAFT WHERE APPLICABLE MUST REMAIN WITHIN DIMENSIONS		MATERIAL NUMBER: SEE TABLE	
THIRD ANGLE PROJECTION		DRAWING: A3-SIZE		CUSTOMER: GENERAL MARKET	
		SERIES: 54552		SHEET NUMBER: 1 OF 1	

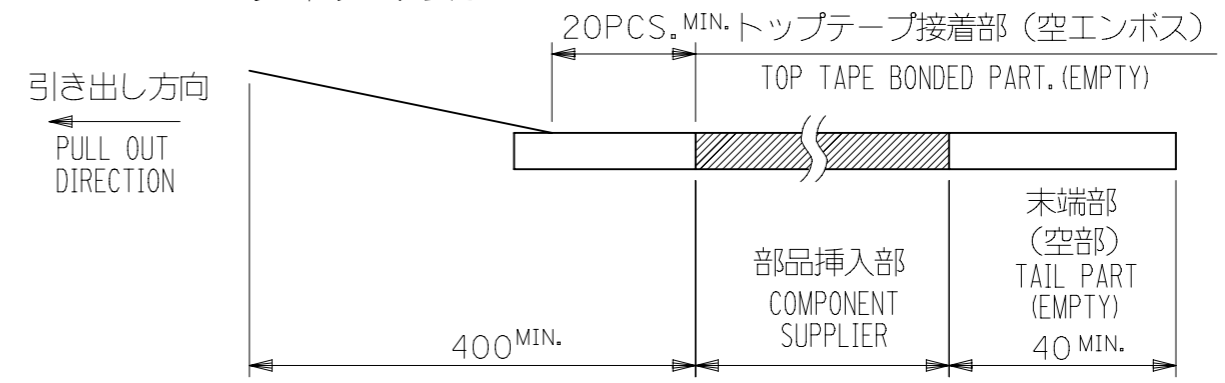


DETAIL D

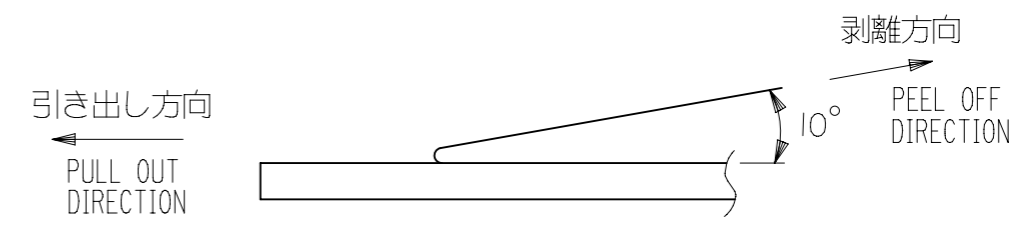


NOTES

- 製品詳細寸法については SD-54552-025 を参照下さい。
RE DETAILED DIMENSION, SEE SD-54552-025.
- 梱包数量：1500個/リール
NUMBER OF CONNECTORS : 1500PCS/REEL
- リードテープ長さ LEAD TAPE LENGTH



- トッパテープの剥離強度：0.1～1.3N {10～130gf} (剥離方向は下図参照)
尚、本規格値は出荷時に適用。(但し、輸送時に剥離が発生しないこと。)
PEELING OFF FORCE OF TOP TAPE : 0.1～1.3N {10～130gf}
(PEELING DIRECTION AS SHOWN IN FOLLOWING FIG.)
THIS REQUIREMENT SHOULD BE APPLIED AT SHIPMENT.
PEEL OFF SHOULD NOT BE ALLOWED , DURING TRANSPORTATION.



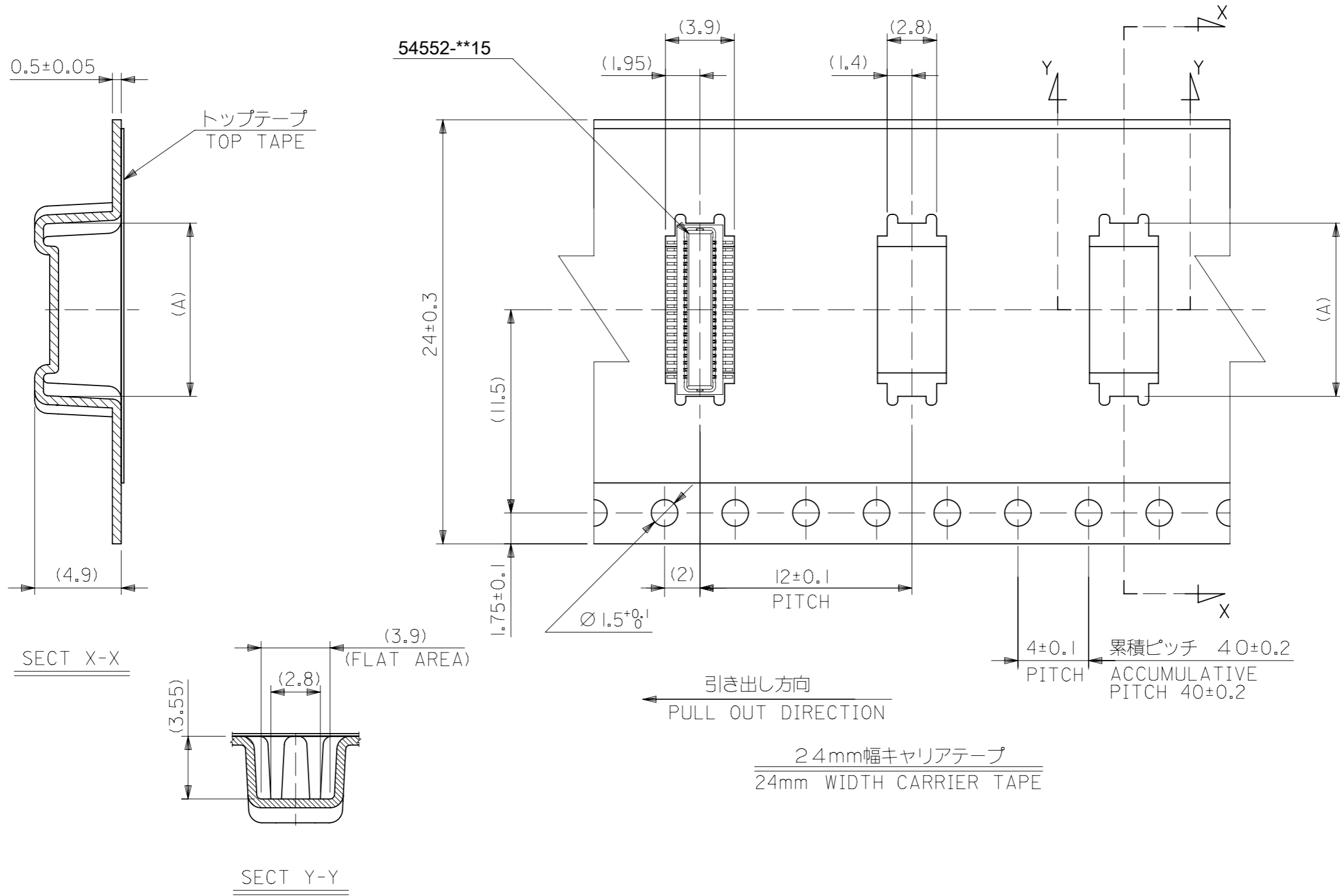
- 材料 (MATERIAL)
キャリアテープ (CARRIER TAPE) : ポリプロピレン (POLYPROPYLENE)
トッパテープ (TOPTAPE) : PET , PE , PEF
リール (REEL) : ポリスチレン (PS) <リサイクル材を含む>
POLYSTYRENE (PS) <RECYCLE MATERIAL CONTAINED>

- ELV及びRoHS適合品
ELV AND RoHS COMPLIANT

54552-4016	40
54552-3016	30
EMBOSSED TAPE	CKT.
ORDER No. オーダー番号	

GENERAL TOLERANCES (UNLESS SPECIFIED)		
10 UNDER	±0.2	
10 OVER 30 UNDER	±0.25	
30 OVER	±0.3	

THIS DRAWING CONTAINS INFORMATION THAT IS PROPRIETARY TO MOLEX ELECTRONIC TECHNOLOGIES, LLC AND SHOULD NOT BE USED WITHOUT WRITTEN PERMISSION		CURRENT REV DESC: OBSOLETE PART NUMBERS	
DIMENSION UNITS	SCALE		
mm	NTS		
GENERAL TOLERANCES (UNLESS SPECIFIED)			
	MM	INCH	
4 PLACES	±	±	
3 PLACES	±	±	
2 PLACES	±	±	
1 PLACE	±	±	
0 PLACES	±	±	
ANGULAR TOL ± 3.0°			
DRAFT WHERE APPLICABLE MUST REMAIN WITHIN DIMENSIONS		THIRD ANGLE PROJECTION	
		DRAWING	SERIES
		A3-SIZE	54552
		MATERIAL NUMBER	CUSTOMER
		SEE TABLE	GENERAL MARKET
		DOCUMENT NUMBER	DOC TYPE DOC PART REVISION
		SD-54552-026	PSD 001 B
		SHEET NUMBER	
		1 OF 2	



24	29.4	25.4	9.8	54552-4016	40
			7.8	54552-3016	30
キャリアテープ幅 CARRIER TAPE WIDTH	C	B	(A)	EMBOSSED TAPE	極数 CIRCUITS
				ORDER No. オーダー番号	

THIS DRAWING CONTAINS INFORMATION THAT IS PROPRIETARY TO MOLEX ELECTRONIC TECHNOLOGIES, LLC AND SHOULD NOT BE USED WITHOUT WRITTEN PERMISSION

SCALE: mm NTS

GENERAL TOLERANCES (UNLESS SPECIFIED)

	MM	INCH
4 PLACES	±	±
3 PLACES	±	±
2 PLACES	±	±
1 PLACE	±	±
0 PLACES	±	±

ANGULAR TOL ± 3.0°

DRAFT WHERE APPLICABLE MUST REMAIN WITHIN DIMENSIONS

THIRD ANGLE PROJECTION

DRAWING: A3-SIZE

SERIES: 54552

DOCUMENT NUMBER: SD-54552-026

DOC TYPE: PSD

DOC PART: 001

REVISION: B

SHEET NUMBER: 2 OF 2

EC NO: 644856
 DRWN: RPRABHUM
 CHK'D: GGA
 APPR: GGA
 INITIAL REVISION:
 DRWN: KTOYODA
 APPR: MSASAO

2020/07/06
 2020/10/07
 2020/10/07
 2010/03/29
 2010/03/29

PRODUCT CUSTOMER DRAWING

EMBSTP PKG FOR 0.4 B/B
 CONN RA REC HSG ASSY

GENERAL TOLERANCES (UNLESS SPECIFIED)

10 UNDER	±0.2
10 OVER 30 UNDER	±0.25
30 OVER	±0.3