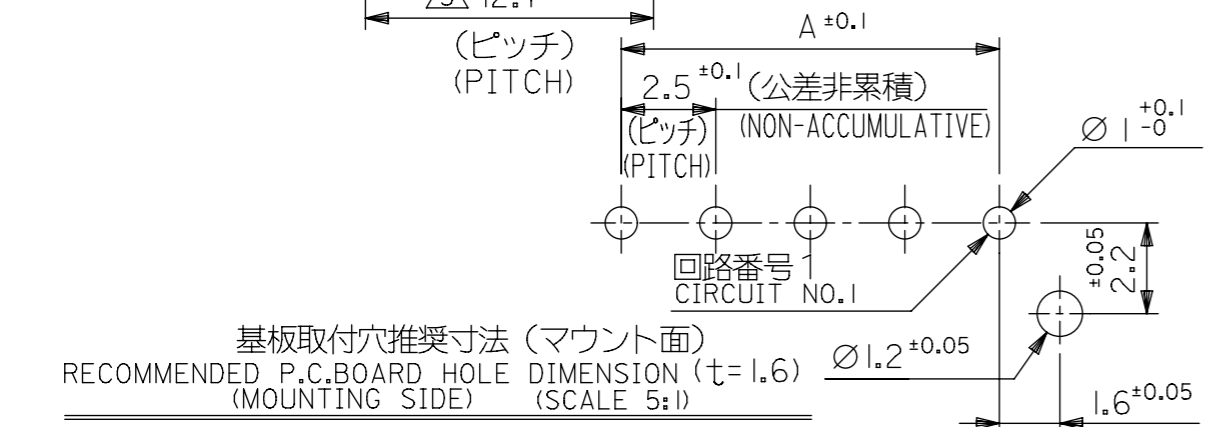


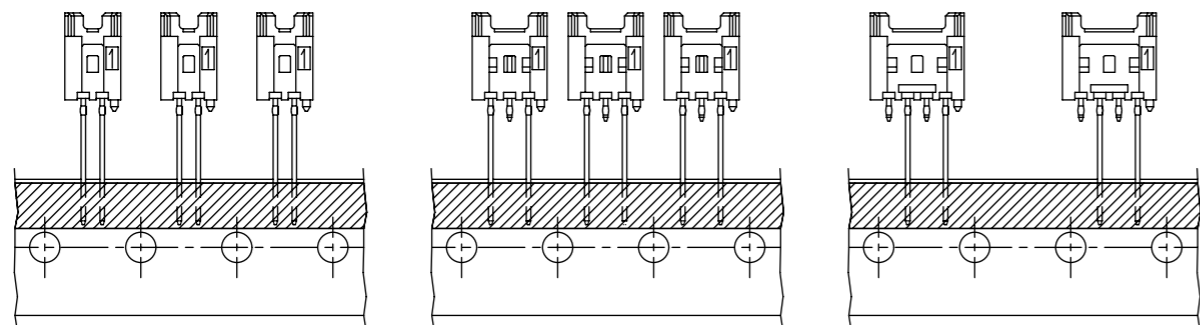
注記 NOTES

- △1 偶数極品に適用。
APPLIES ONLY TO EVEN NO. CKT. SIZES.
- 2. 嵌合相手：51103 シリーズ
MATES WITH: 51103 SERIES.
- △3 累積ピッチの許容差は、20ピッチで ±1.0mm とする。
ACCUMULATED TOLERANCE IS TO BE ±1.0mm PER 20 PITCH.
- △4 粘着テープは台紙からはみ出さない事。
THE ADHESIVE TAPE SHOULD NOT BE PROTRUDED FROM THE BASE TAPE.
- △5 リード線の曲がりの許容差は 1mm MAX. とする。
CAMBER OF THE LEADS : 1mm MAX.
- △6 測定位置は、コネクタの先端とする。
INCLINED POSITION FROM THE CENTER-LINE, SHOULD BE 1mm MAX. MEASURING SHOULD BE DONE, USING THE TOP OF BASE TAPE AS DATUM.
- △7 測定値は台紙の上端とし、リード線との間隔とする。
DIM. 3.85 AND DIM. 5 SHOULD BE MEASURED ON THE TOP OF BASE TAPE. DIMENSIONS ARE A SPACING BETWEEN THE CENTER-LINES.
- 8. 製品番号の下 1 桁は色を表します。
LAST DIGIT OF PART NUMBER INDICATES COLOR.
0 : 白 WHITE 1 : 黒 BLACK 2 : 赤 RED
3 : 黄 YELLOW 4 : 青 BLUE 6 : 緑 GREEN



400	9.95	25.4	22.4	20.7	17.5	53375-089*	8
	7.45	↑	19.9	18.2	15	↑ -079*	7
500	7.45	↓	17.4	15.7	12.5	↑ -069*	6
	4.95	↓	14.9	13.2	10	↑ -059*	5
900	4.95	25.4	12.4	10.7	7.5	↓ -049*	4
	2.45	12.7	9.9	8.2	5	↓ -039*	3
	2.45	12.7	7.4	5.7	2.5	53375-029*	2
包装数量/箱 QTY/CARTON	E	D	C	B	A	MATERIAL NO. MODEL NO. 53375-**9*	極数 NO. OF CKTS.

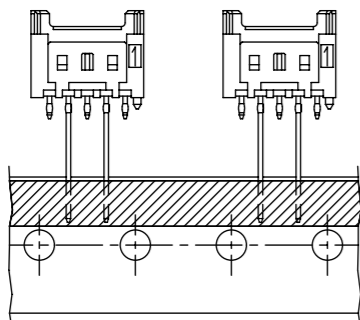
GENERAL TOLERANCES (UNLESS SPECIFIED)		THIS DRAWING CONTAINS INFORMATION THAT IS PROPRIETARY TO MOLEX ELECTRONIC TECHNOLOGIES, LLC AND SHOULD NOT BE USED WITHOUT WRITTEN PERMISSION	
0.25 UNDER	±0.03	DIMENSION UNITS	SCALE
0.25 OVER	0.5 UNDER ±0.05	mm	3:1
0.5 OVER	1.0 UNDER ±0.1	GENERAL TOLERANCES (UNLESS SPECIFIED)	
1.0 OVER	10 UNDER ±0.2	4 PLACES ±0.2	CURRENT REV DESC: OBSOLETE PART NO
10 OVER	30 UNDER ±0.25	3 PLACES ±0.25	
30 OVER	±0.3	2 PLACES ±0.3	EC NO: 629832
ANGULAR	±3°	1 PLACE ±	DRWN: VLOKESHA 2019/12/16
DRAFT WHERE APPLICABLE MUST REMAIN WITHIN DIMENSIONS		0 PLACES ±	CHK'D: GGA 2020/01/22
		ANGULAR TOL ±3.0°	APPR: GGA 2020/01/22
		DRAFT WHERE APPLICABLE MUST REMAIN WITHIN DIMENSIONS	INITIAL REVISION:
		THIRD ANGLE PROJECTION	DRWN: M.UMEDA 2005/01/21
		DRAWING	APPR: N.UKITA 2005/01/21
		SERIES	MATERIAL NUMBER
		A3-SIZE	53375
		CUSTOMER	GENERAL MARKET
		SHEET NUMBER	1 OF 3



(2 極)
(2 CKT.)

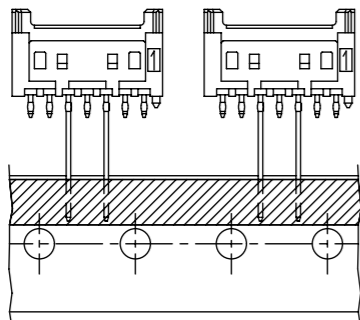
(3 極)
(3 CKT.)

(4 極)
(4 CKT.)



(5 極)
(5 CKT.)

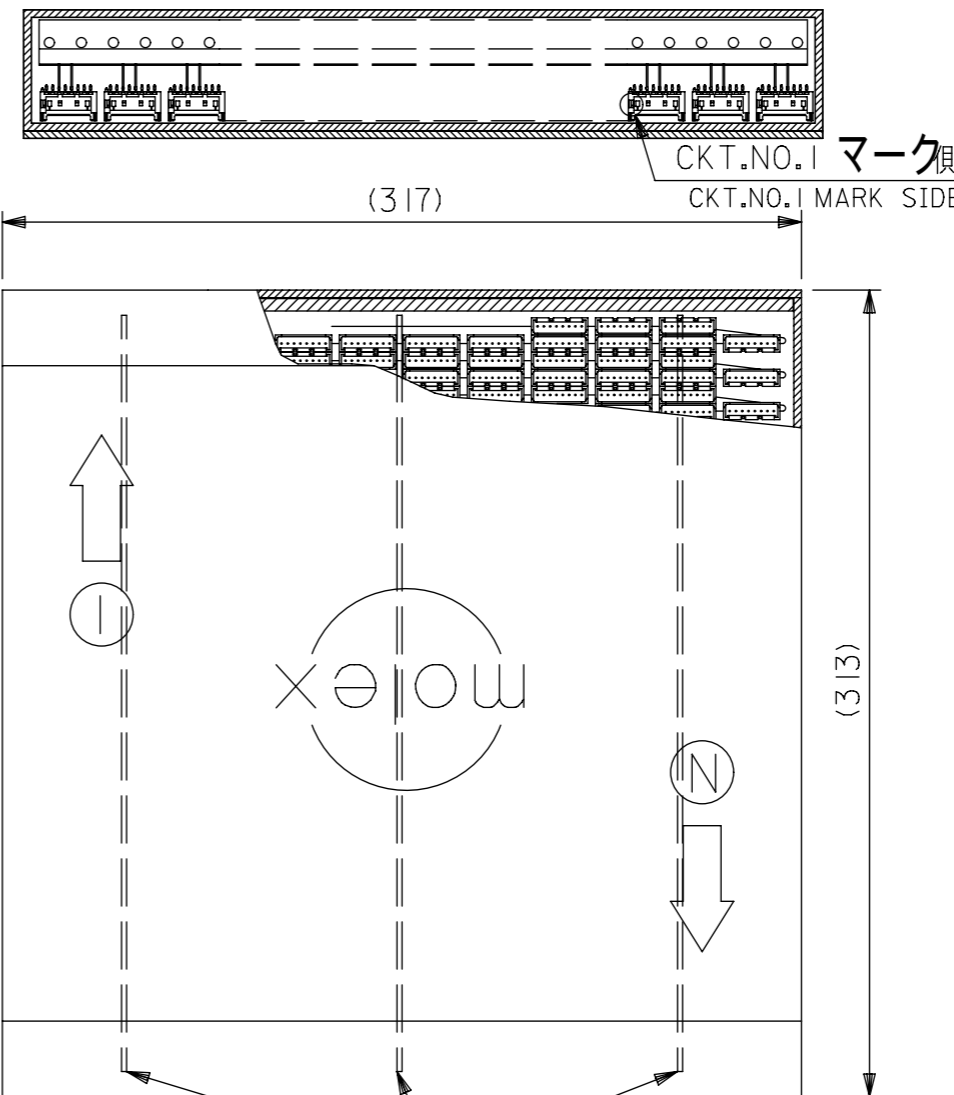
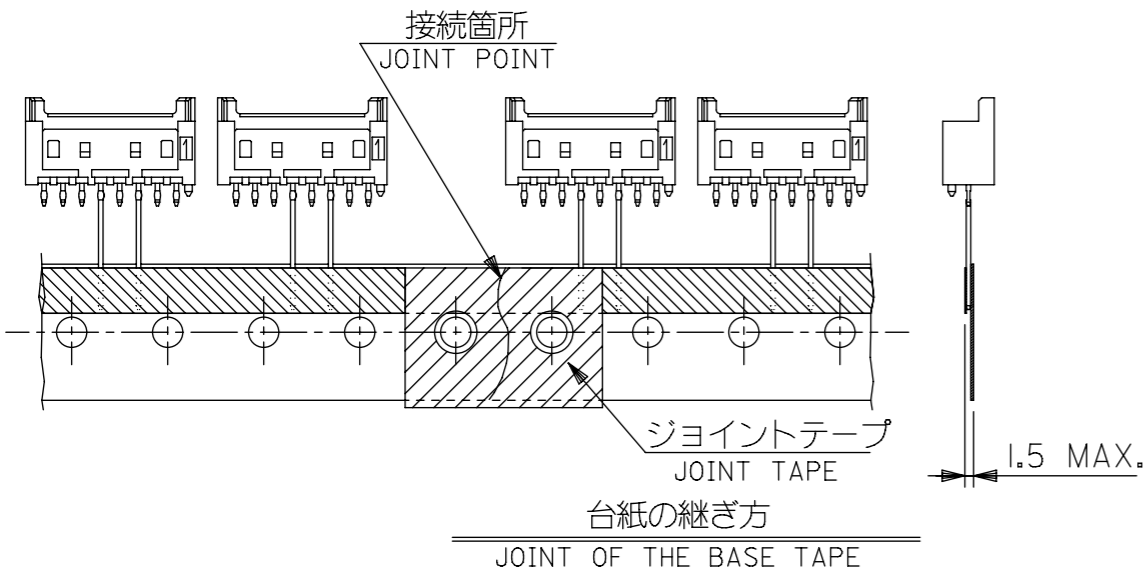
(6 極)
(6 CKT.)



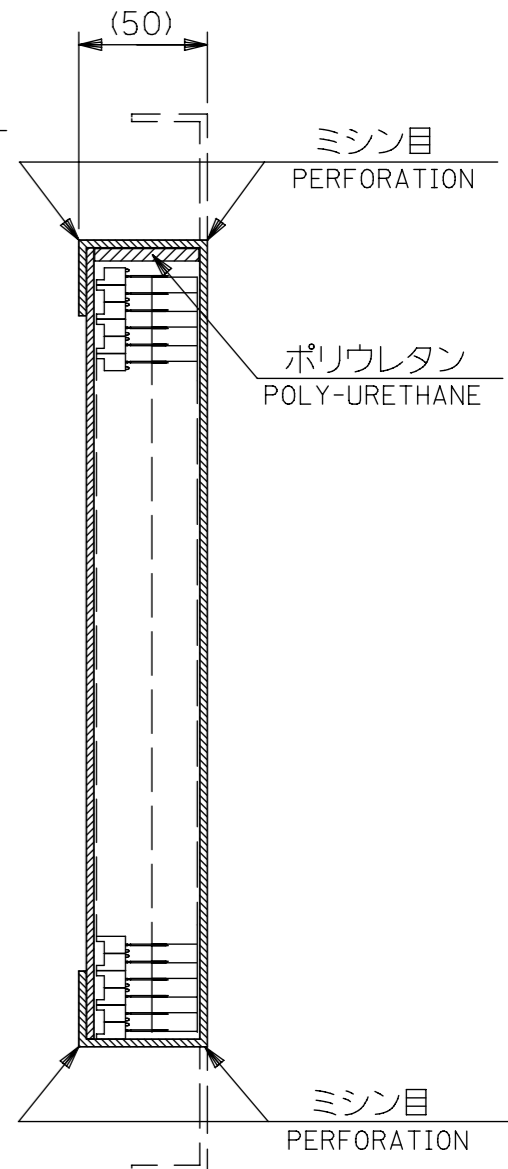
(7 極)
(7 CKT.)

(8 極)
(8 CKT.)

極数別テーピング状態図
CKT. TAPING FORM



包装状態図
PACKAGING FORM

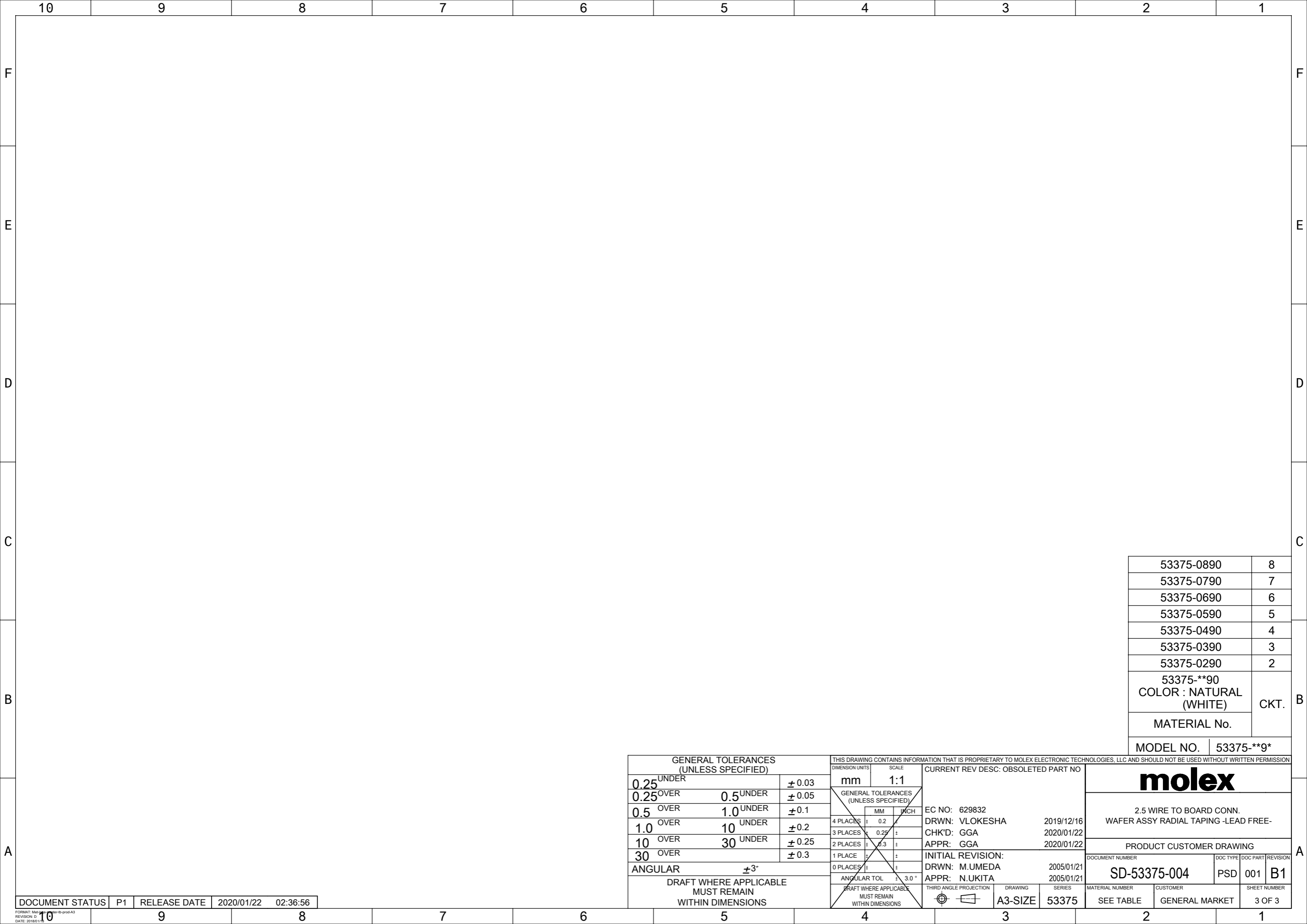


注記 NOTES

- 包装形態はつづら折りで箱詰め。
RADIAL TAPE IS FOLDED AND PILED IN THE CARTON.
- テーピングの両端には、5個以上の送り穴を設けること。
BOTH ENDS OF TAPING, MORE THAN 5 FEEDING HOLES SHOULD BE PROVIDED.
- コネクタの欠落数は、D 寸法 (SHEET 1 OF 2 参照) が 12. 7 の場合連続 3 個まで、25. 4 の場合 1 個とする。(折り目ごとの 1 個抜きも含む)
ALLOWABLE NUMBERS OF CONSECUTIVE MISSING CONNECTORS:
FOR CONNECTORS WHERE D=12.7,=3(REFER TO SHEET 1 OF 2)
FOR CONNECTORS WHERE D=25.4,=1
- 台紙の継ぎ目のずれは、いかなる方向からも ±0.3mm 以内とする。
MISMATCHED JOINT OF THE BASE TAPE SHOULD BE KEPT WITHIN ±0.3mm IN EVERY DIRECTIONS.
- 図中以外の項目は、日本工業規格 JIS C0805 “電子部品のテーピング” を適用。
ITEMS UNLESS OTHERWISE SPECIFIED, JIS C 0805 (TAPING OF ELECTRONIC COMPONENTS) SHOULD BE APPLIED.

MODEL NO, 53375-**9*

GENERAL TOLERANCES (UNLESS SPECIFIED)			DIMENSION UNITS		SCALE		THIS DRAWING CONTAINS INFORMATION THAT IS PROPRIETARY TO MOLEX ELECTRONIC TECHNOLOGIES, LLC AND SHOULD NOT BE USED WITHOUT WRITTEN PERMISSION					
UNDER	OVER		mm	INCH	1:1		CURRENT REV DESC: OBSOLETE PART NO					
0.25	0.5	±0.03	GENERAL TOLERANCES (UNLESS SPECIFIED)			EC NO: 629832 DRWN: VLOKESHA 2019/12/16 CHK'D: GGA 2020/01/22 APPR: GGA 2020/01/22						
0.5	1.0	±0.05										
1.0	3.0	±0.1	4 PLACES ± 0.2	INCH	INITIAL REVISION: DRWN: M.UMEDA 2005/01/21 APPR: N.UKITA 2005/01/21							
3.0	10	±0.2	3 PLACES ± 0.25									
10	30	±0.25	2 PLACES ± 0.3		PRODUCT CUSTOMER DRAWING DOCUMENT NUMBER SD-53375-004 DOC TYPE PSD DOC PART 001 REVISION B1							
30		±0.3	1 PLACE ±									
ANGULAR		±3°	0 PLACES ±		MATERIAL NUMBER SEE TABLE CUSTOMER GENERAL MARKET SHEET NUMBER 2 OF 3							
DRAFT WHERE APPLICABLE MUST REMAIN WITHIN DIMENSIONS			ANGULAR TOL ± 3.0°									
DRAFT WHERE APPLICABLE MUST REMAIN WITHIN DIMENSIONS			THIRD ANGLE PROJECTION		DRAWING A3-SIZE	SERIES 53375						

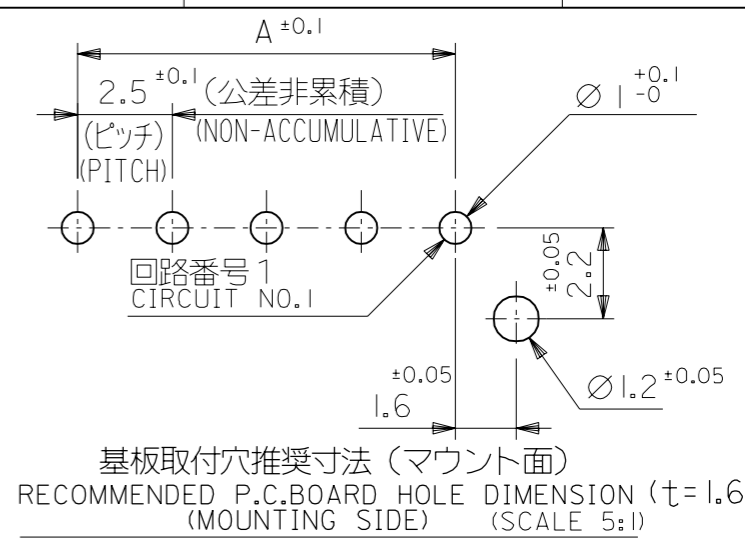
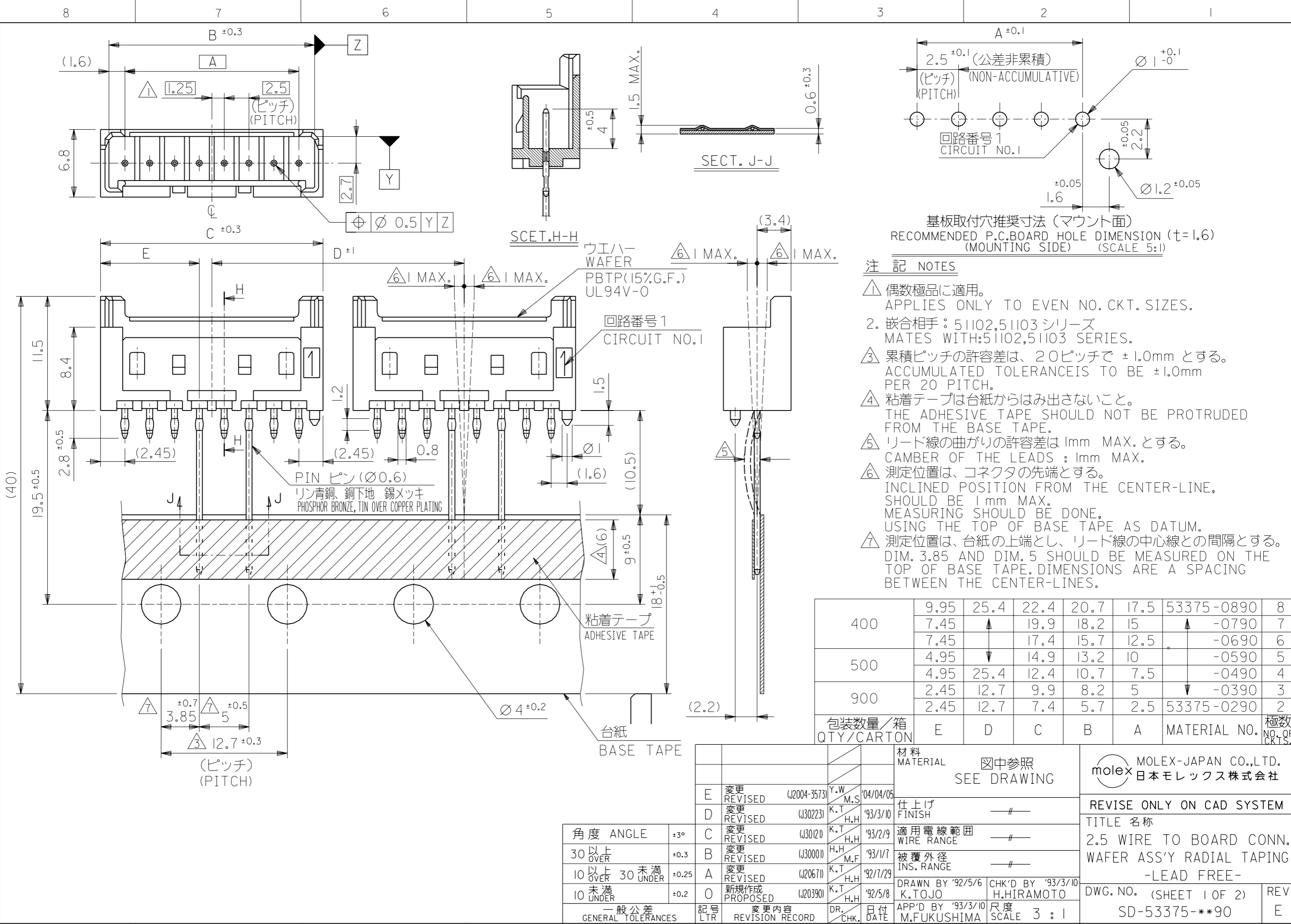


53375-0890	8
53375-0790	7
53375-0690	6
53375-0590	5
53375-0490	4
53375-0390	3
53375-0290	2
53375-**90 COLOR : NATURAL (WHITE)	CKT.
MATERIAL No.	
MODEL NO.	53375-**9*

GENERAL TOLERANCES (UNLESS SPECIFIED)			THIS DRAWING CONTAINS INFORMATION THAT IS PROPRIETARY TO MOLEX ELECTRONIC TECHNOLOGIES, LLC AND SHOULD NOT BE USED WITHOUT WRITTEN PERMISSION								
0.25 UNDER	± 0.03	mm	SCALE	CURRENT REV DESC: OBSOLETE PART NO							
0.25 OVER	0.5 UNDER	1:1	GENERAL TOLERANCES (UNLESS SPECIFIED)								
0.5 OVER	1.0 UNDER	MM	INCH	EC NO: 629832 DRWN: VLOKESHA 2019/12/16 CHK'D: GGA 2020/01/22 APPR: GGA 2020/01/22							
1.0 OVER	10 UNDER	± 0.2	4 PLACES ± 0.2								
10 OVER	30 UNDER	± 0.25	3 PLACES ± 0.25	INITIAL REVISION: DRWN: M.UMEDA 2005/01/21 APPR: N.UKITA 2005/01/21							
30 OVER	± 0.3	1 PLACE ±	2 PLACES ± 0.3								
ANGULAR	± 3°	0 PLACES ±	1 PLACE ±	THIRD ANGLE PROJECTION DRAWING SERIES MATERIAL NUMBER CUSTOMER SHEET NUMBER							
DRAFT WHERE APPLICABLE MUST REMAIN WITHIN DIMENSIONS		ANGULAR TOL ± 3.0°	DRAFT WHERE APPLICABLE MUST REMAIN WITHIN DIMENSIONS								
DOCUMENT STATUS	P1	RELEASE DATE	2020/01/22	02:36:56	SD-53375-004	PSD	001	B1	SEE TABLE	GENERAL MARKET	3 OF 3

DOCUMENT STATUS	P1	RELEASE DATE	2020/01/22	02:36:56
-----------------	----	--------------	------------	----------

DIMENSIONS IN METRIC DO NOT SCALE DRAWING



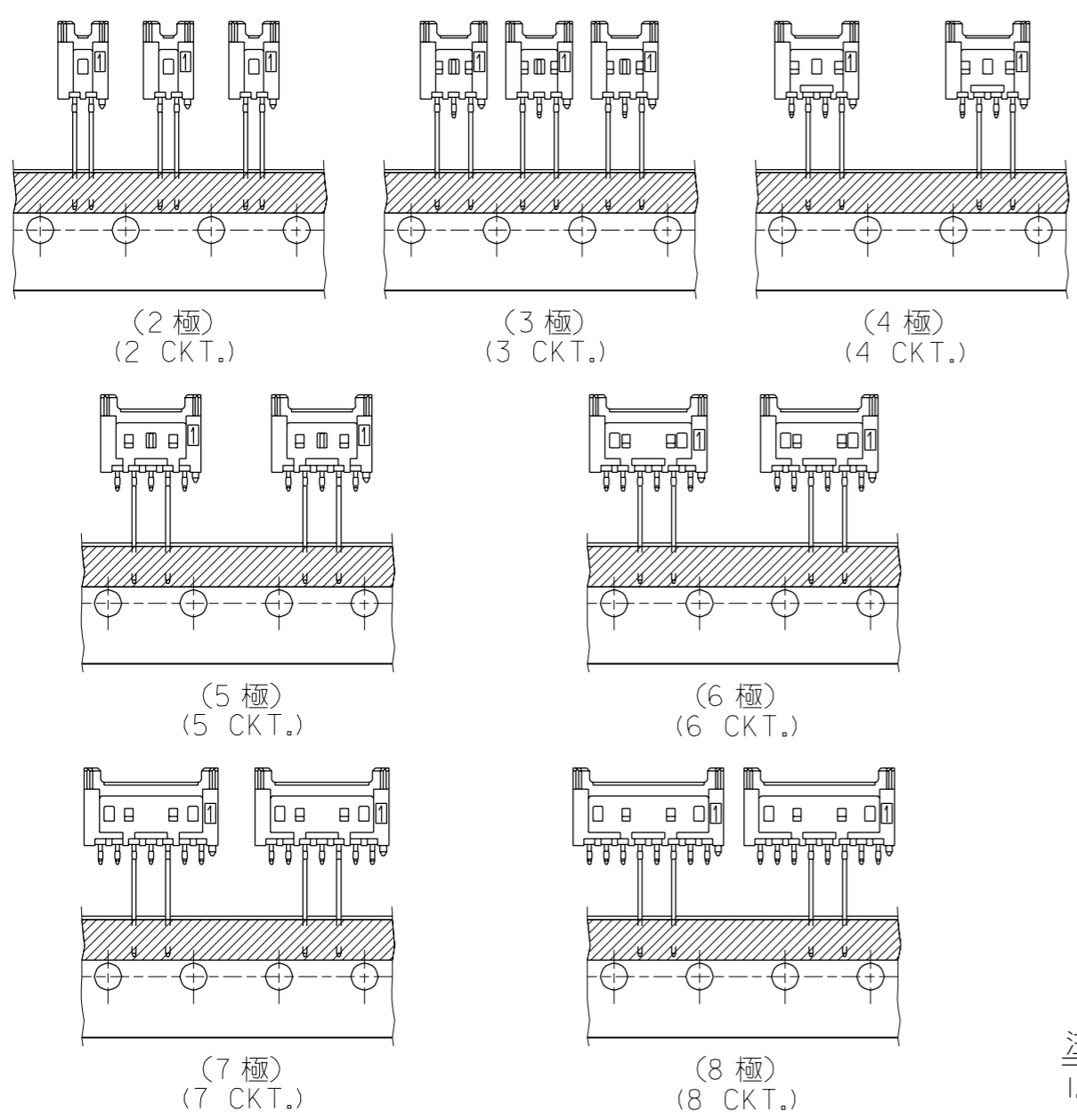
- 注記 NOTES
- △1 偶数極品に適用。
APPLIES ONLY TO EVEN NO. CKT. SIZES.
 - 2. 嵌合相手: 51102, 51103 シリーズ
MATES WITH: 51102, 51103 SERIES.
 - △3 累積ピッチの許容差は、20ピッチで ±1.0mm とする。
ACCUMULATED TOLERANCE IS TO BE ±1.0mm PER 20 PITCH.
 - △4 粘着テープは台紙からはみ出さないこと。
THE ADHESIVE TAPE SHOULD NOT BE PROTRUDED FROM THE BASE TAPE.
 - △5 リード線の曲がりの許容差は 1mm MAX. とする。
CAMBER OF THE LEADS: 1mm MAX.
 - △6 測定位置は、コネクタの先端とする。
INCLINED POSITION FROM THE CENTER-LINE, SHOULD BE 1mm MAX. MEASURING SHOULD BE DONE, USING THE TOP OF BASE TAPE AS DATUM.
 - △7 測定位置は、台紙の上端とし、リード線の中心線との間隔とする。
DIM. 3.85 AND DIM. 5 SHOULD BE MEASURED ON THE TOP OF BASE TAPE. DIMENSIONS ARE A SPACING BETWEEN THE CENTER-LINES.

400	9.95	25.4	22.4	20.7	17.5	53375-0890	8
	7.45	↑	19.9	18.2	15	↑ -0790	7
500	7.45	↑	17.4	15.7	12.5	↑ -0690	6
	4.95	↓	14.9	13.2	10	↓ -0590	5
900	4.95	25.4	12.4	10.7	7.5	↓ -0490	4
	2.45	12.7	9.9	8.2	5	↓ -0390	3
包装数量/箱 QTY/CARTON	2.45	12.7	7.4	5.7	2.5	53375-0290	2
	E	D	C	B	A	MATERIAL NO.	極数 NO. OF CKTS.

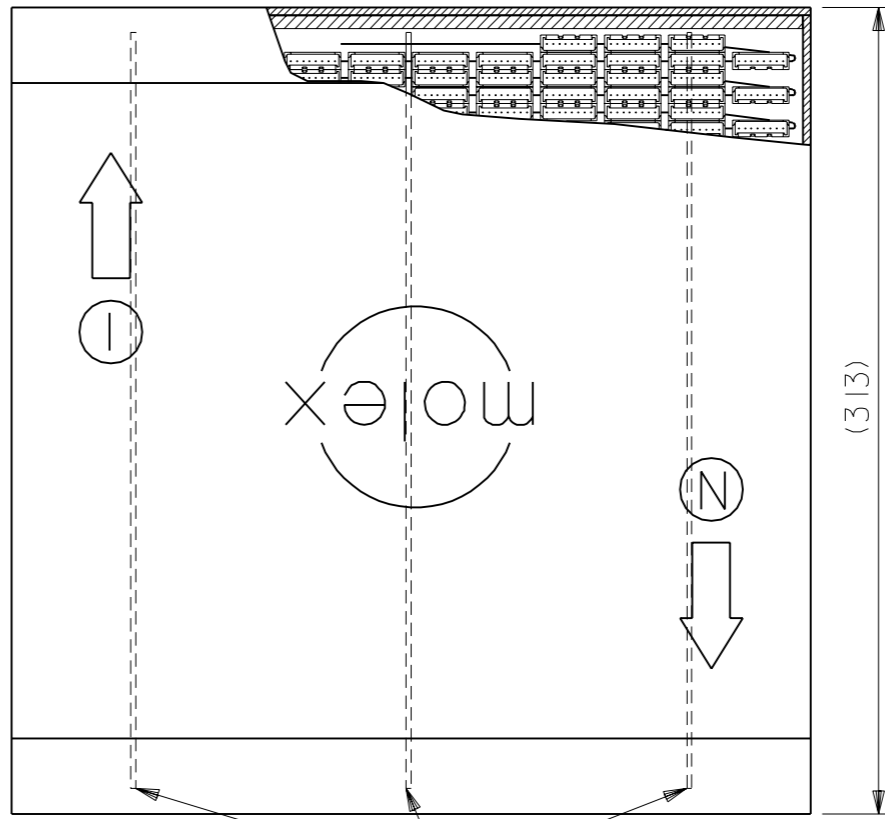
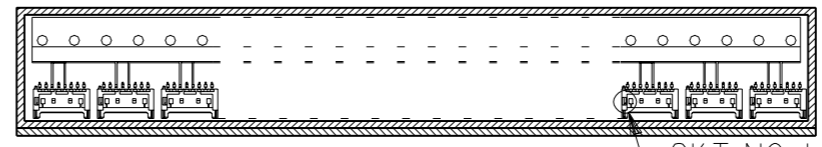
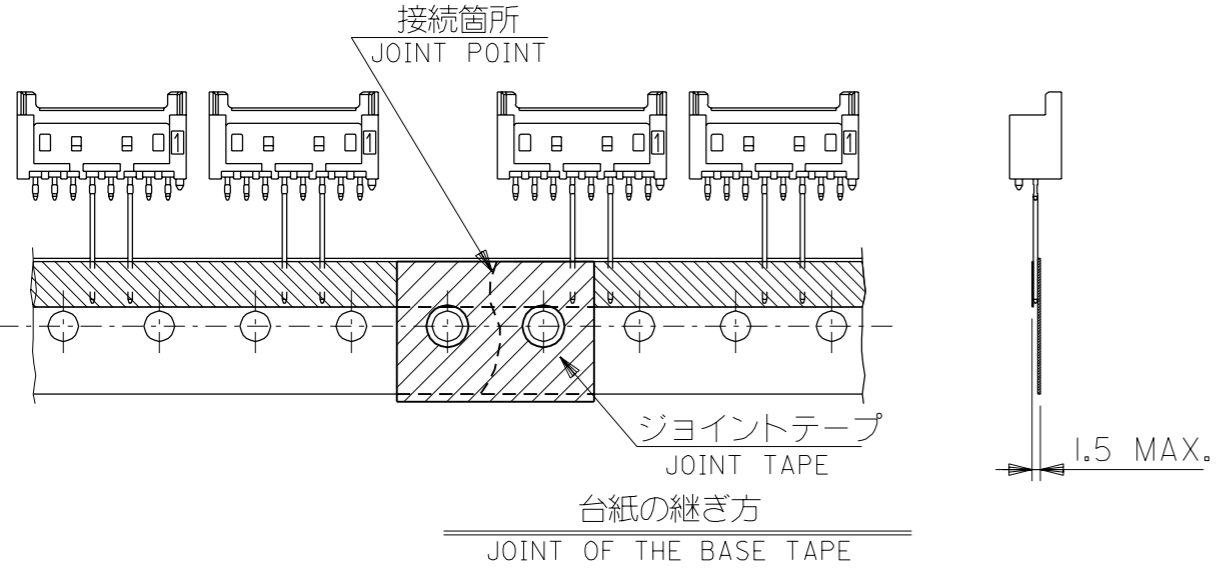
材料 MATERIAL		中参照 SEE DRAWING		MOLEX-JAPAN CO., LTD. 日本モレックス株式会社		
E	変更 REVISED	(J2004-3573)	Y.W. M.S.	'04/04/05	仕上げ FINISH —#—	
D	変更 REVISED	(J30223)	K.T. H.H.	'93/3/10		
C	変更 REVISED	(J30121)	K.T. H.H.	'93/2/9	適用電線範囲 WIRE RANGE —#—	
B	変更 REVISED	(J30001)	H.H. M.F.	'93/1/7	被覆外径 INS. RANGE —#—	
A	変更 REVISED	(J20671)	K.T. H.H.	'92/7/29	DRAWN BY '92/5/6 K.TOJO	
O	新規作成 PROPOSED	(J20390)	K.T. H.H.	'92/5/8	CHK'D BY '93/3/10 H.HIRAMOTO	
一般公差 GENERAL TOLERANCES		記号 LTR	変更内容 REVISION RECORD	DR. CHK.	日付 DATE	APP'D BY '93/3/10 M.FUKUSHIMA
角度 ANGLE	±3°					尺度 SCALE 3:1
30 以上 OVER	±0.3					
10 以上 30 未満 OVER UNDER	±0.25					
10 未満 UNDER	±0.2					

REVISE ONLY ON CAD SYSTEM	
TITLE 名称 2.5 WIRE TO BOARD CONN. WAFER ASS'Y RADIAL TAPING -LEAD FREE-	
DWG. NO. (SHEET 1 OF 2) SD-53375-**-90	REV E

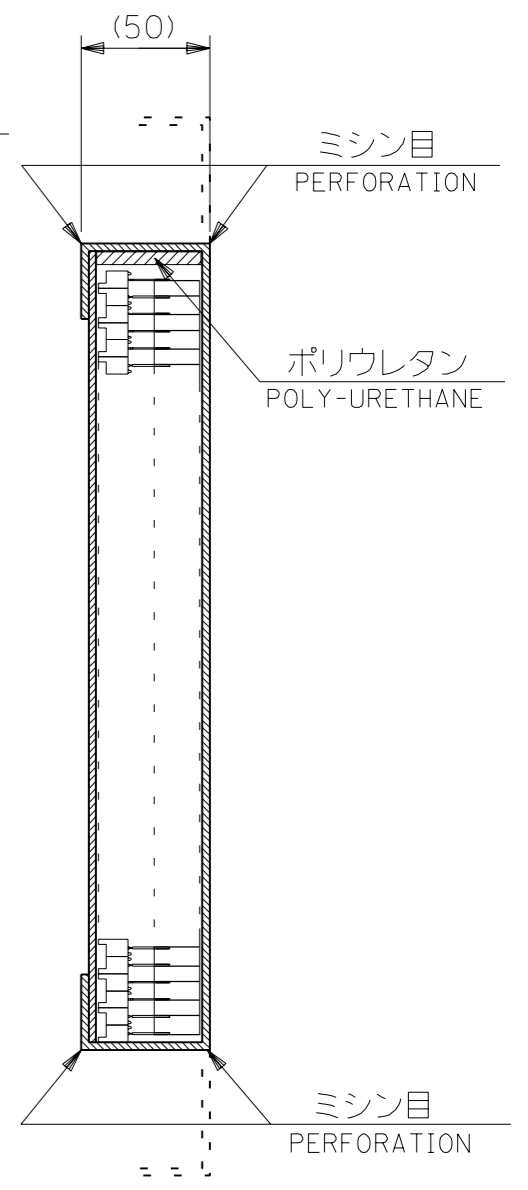
8 7 6 5 4 3 2 1



極数別テーピング状態図
CKT. TAPING FORM



包装状態図
PACKAGING FORM



注記 NOTES

- 包装形態はつづら折りで箱詰め。
RADIAL TAPE IS FOLDED AND PILED IN THE CARTON.
- テーピングの両端には、5個以上の送り穴を設けること。
BOTH ENDS OF TAPING, MORE THAN 5 FEEDING HOLES SHOULD BE PROVIDED.
- コネクタの欠落数は、D寸法 (SHEET 1 OF 2 参照) が12.7の場合連続3個まで、25.4の場合1個とする。(折り目ごとの1個抜きも含む)
ALLOWABLE NUMBERS OF CONSECUTIVE MISSING CONNECTORS:
FOR CONNECTORS WHERE D=12.7,=3(REFER TO SHEET 1 OF 2)
FOR CONNECTORS WHERE D=25.4,=1
- 台紙の継ぎ目のずれは、いかなる方向からでも ±0.3以内とする。
MISMATCHED JOINT OF THE BASE TAPE SHOULD BE KEPT WITHIN ±0.3mm IN EVERY DIRECTIONS.
- 図中指示以外の項目は、日本工業規格 JIS C0805 "電子部品のテーピング" を適用。
ITEMS UNLESS OTHERWISE SPECIFIED, JIS C 0805 (TAPING OF ELECTRONIC COMPONENTS) SHOULD BE APPLIED.

角度 ANGLE		±3°	材料 MATERIAL		SHEET 1 OF 2 参照 REFER TO SHEET 1 OF 2	
30 以上 OVER		±0.3	仕上げ FINISH		—#—	
10 以上 30 未満 OVER UNDER		±0.25	適用電線範囲 WIRE RANGE		—#—	
10 未満 UNDER		±0.2	被覆外径 INS. RANGE		—#—	
一般公差 GENERAL TOLERANCES			DRAWN BY '92/5/6		CHK'D BY '93/3/10	
記号 LTR	変更内容 REVISION RECORD		K.TOJO		H.HIRAMOTO	
			APP'D BY '93/3/10		尺度 SCALE	
			M.FUKUSHIMA		—#—	

MOLEX-JAPAN CO.,LTD.
日本モレックス株式会社

REVISE ONLY ON CAD SYSTEM

TITLE 名称
2.5 WIRE TO BOARD CONN.
WAFER ASS'Y RADIAL TAPING
-LEAD FREE-

DWG. NO. (SHEET 2 OF 2) REV
SD-53375-**-90 E

DIMENSIONS IN METRIC DO NOT SCALE DRAWING

8 7 6 5 4 3 2 1