

NOTES: VALID UNLESS OTHERWISE SPECIFIED

1. GENERAL:

- a. APPLICATION SPECIFICATION: AS-31386-200
- b. PRODUCT SPECIFICATION: PS-31387-200
- c. PACKAGING SPECIFICATION: PK-31301-916
- d. PARTS MUST BE IN COMPLIANCE TO MOLEX CHEMICAL SUBSTANCES FOR PRODUCTS AND PACKAGING SPECIFICATION: ES-40000-5016
- e. DATA MUST BE SUBMITTED UNDER THE MOLEX PART NUMBER TO IMDS (COMPANY ID#13255)
- f. DIMENSIONS AND TOLERANCES ARE VALID FOR AS SHIPPED SHROUD ASSEMBLY
- g. REFERENCE GM INTERFACE CONTROL DRAWINGS (ICD)
 - 1. 12582682 (Au)
 - 2. 12642695 (Ag)

2. DESIGN - MATERIALS:

- a. PLASTIC PBT 30% GF - SEE CHART FOR COLOR
- b. SIGNAL PIN PLATING:
 - UNDERPLATE: NICKEL 1.27-2.54 μ m
 - SELECT GOLD OPTION: 0.76 μ m MIN.
 - SELECT SILVER OPTION: 1.90-3.30 μ m MIN
 - SOLDER TAIL SELECT TIN: 5.08-10.16 μ m BRIGHT FINISH
- c. GROUND PIN PLATING:
 - UNDERPLATE: NICKEL 1.27-2.54 μ m
 - OVERPLATE: SELECT TIN 2.54-4.06 μ m, MATTE FINISH

3. DESIGN - GEOMETRY:

- a. THIS IS A 100% CAD GENERATED PART. THE CAD MATHEMATICAL DATA IS THE MASTER FOR ALL NON-DIMENSIONAL FEATURES. DRAWING DIMENSIONS SHALL BE MET WHEN DIFFERENCES EXIST BETWEEN THE DRAWING AND THE CAD MODEL. UNDERLINED DIMENSIONS OR DIMENSIONS INDICATED AS "EDITED" MAY BE DIFFERENT FROM THE 3D MODEL GEOMETRY. FOR DIMENSIONAL OR ANY INFORMATION NOT SHOWN ON THIS DRAWING, ANALYZE THE CAD MODEL.
- b. PRODUCT DESIGN MODEL NUMBER(S): SEE BOM TABLE
- c. GEOMETRIC DIMENSIONS AND TOLERANCES PER ASME Y14.5M-1994
- d. GENERAL TOLERANCES - SEE TABLE


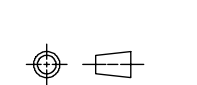
4. DESIGN - MANUFACTURING:

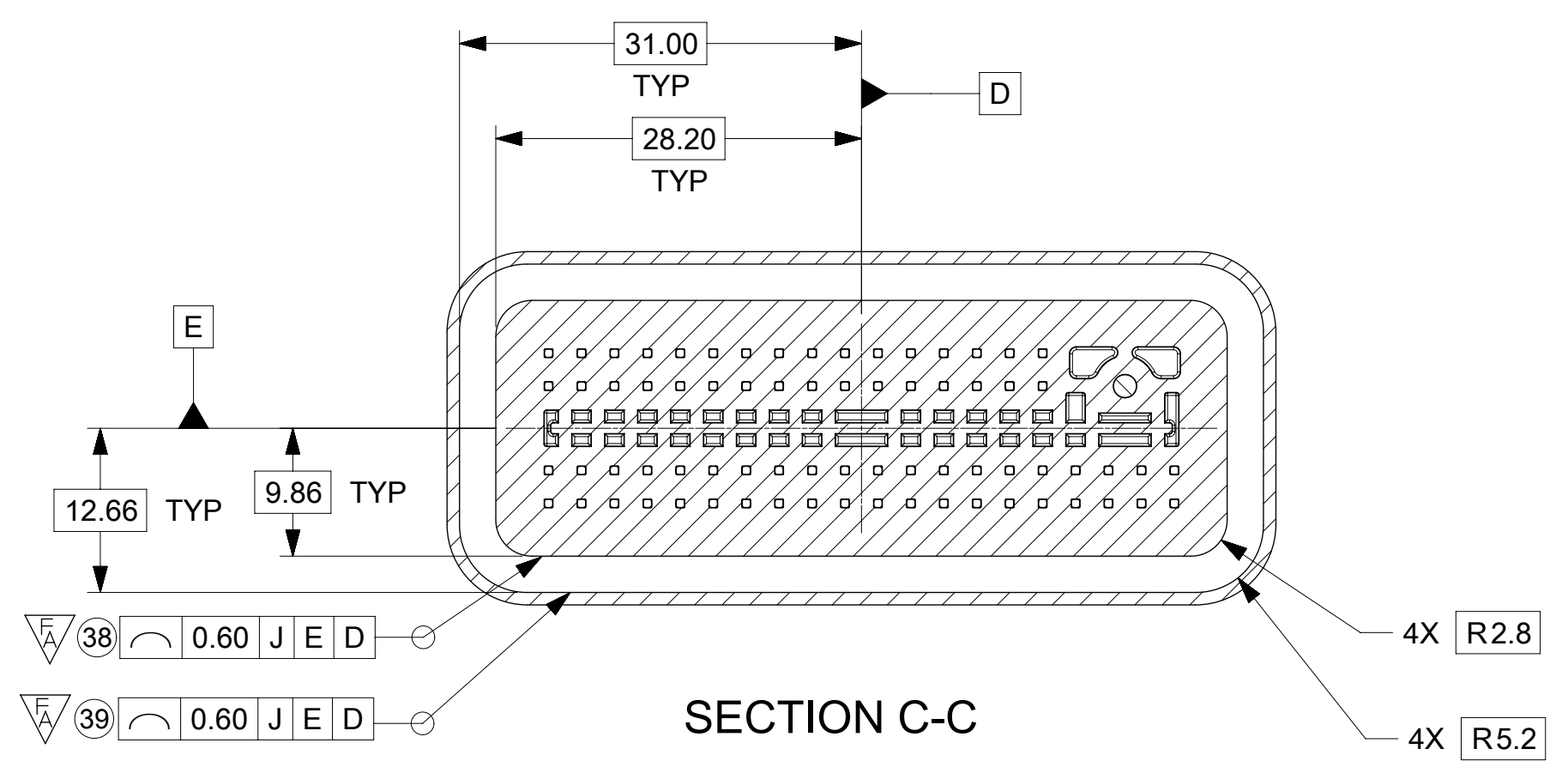
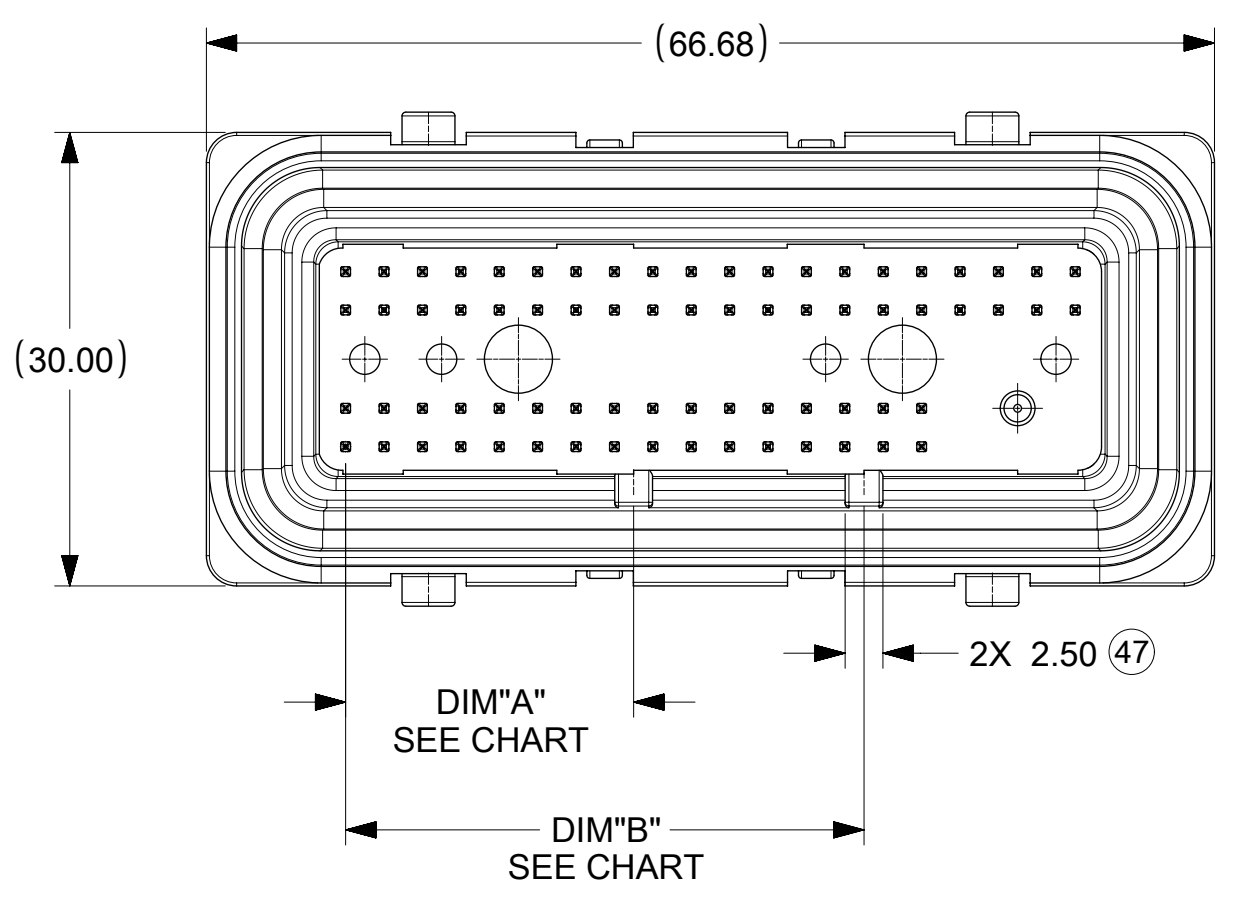
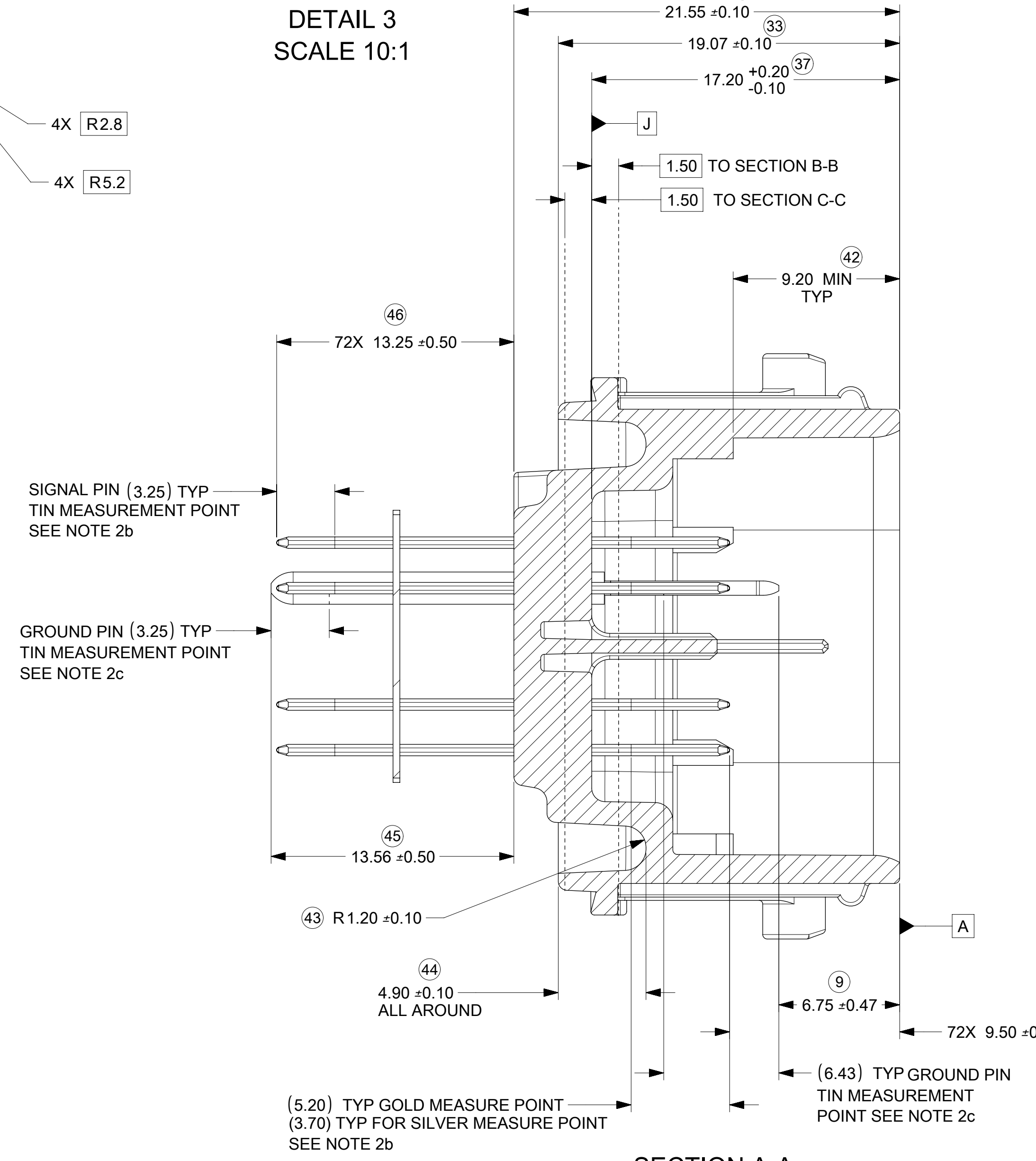
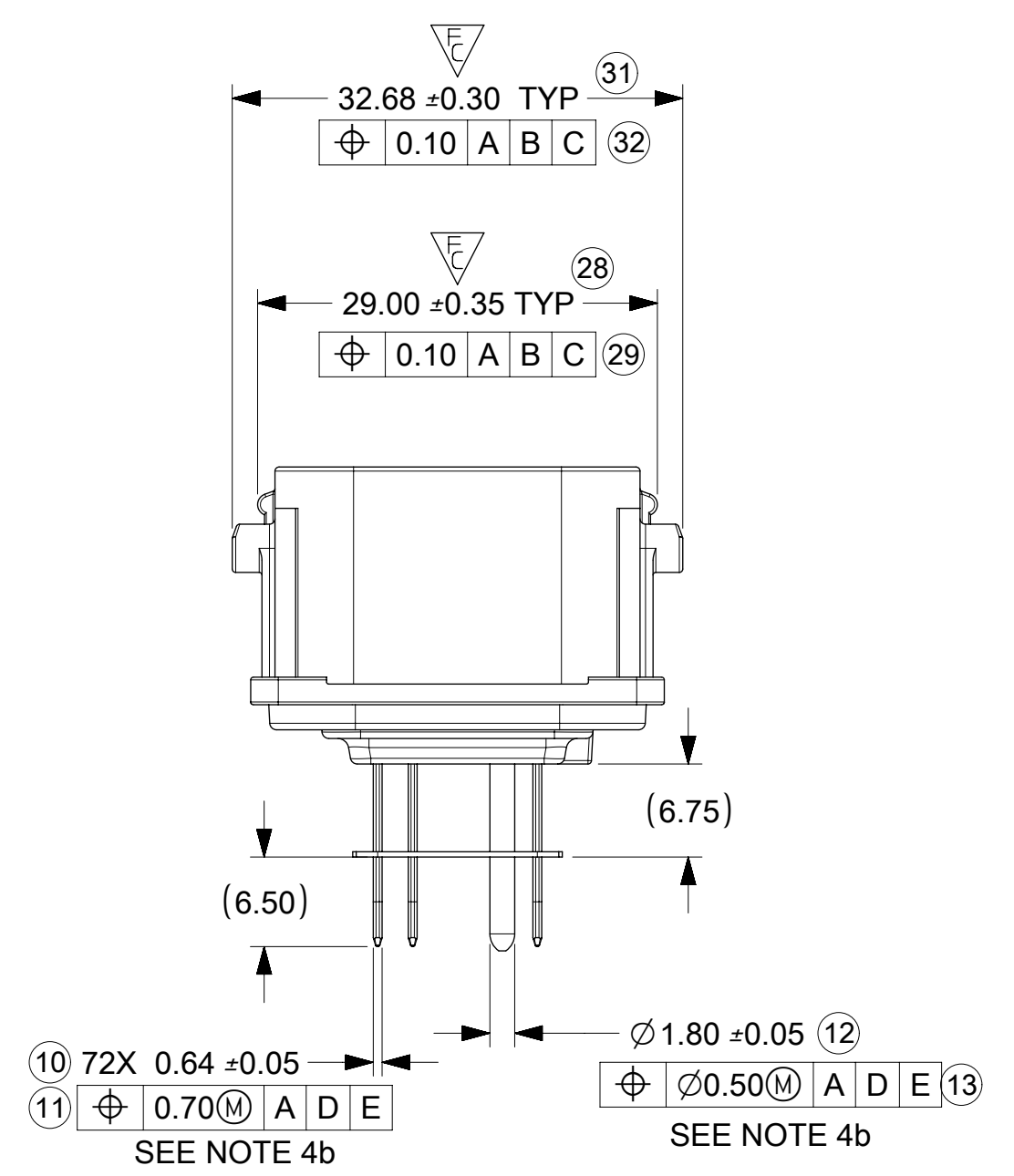
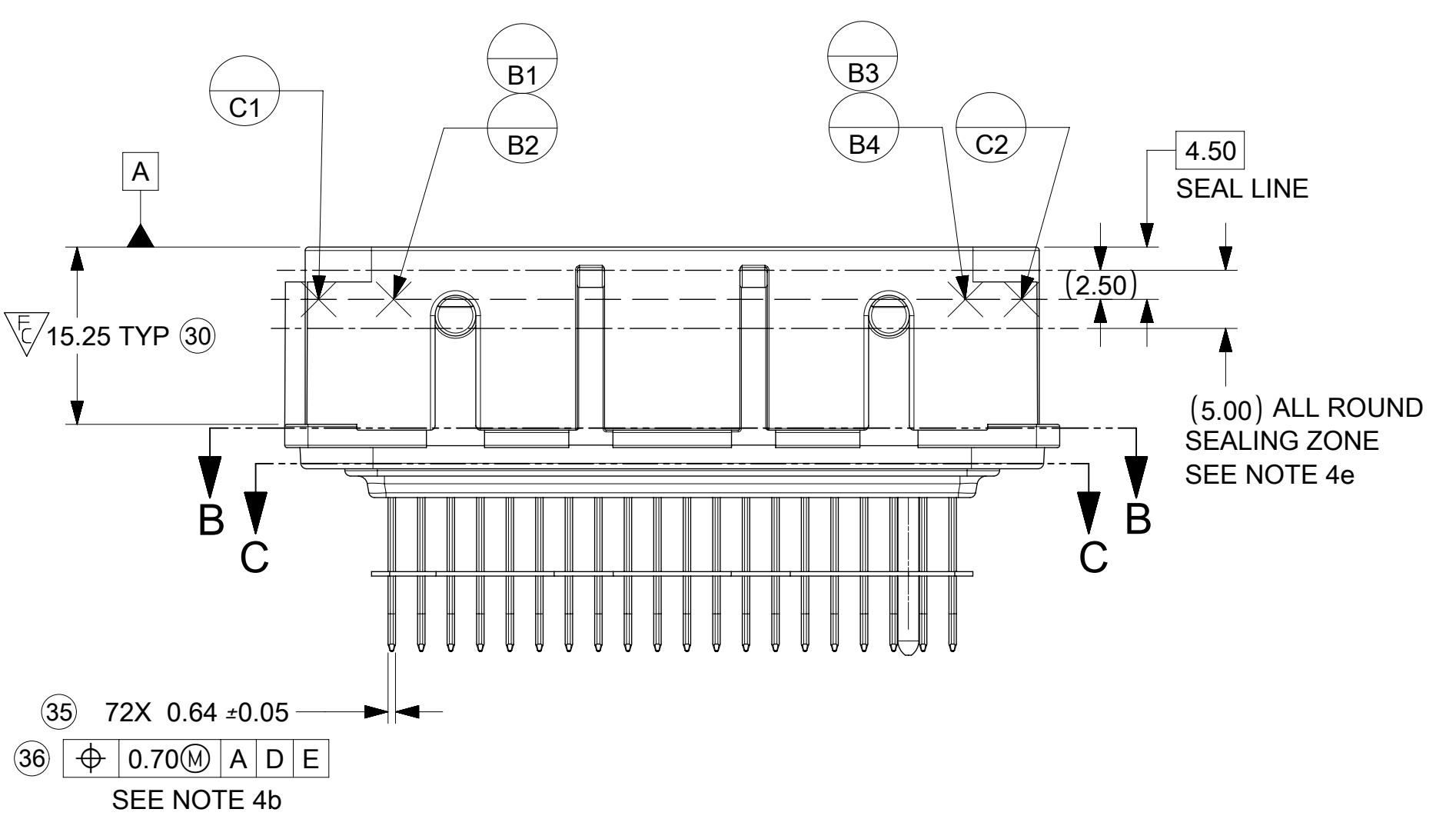
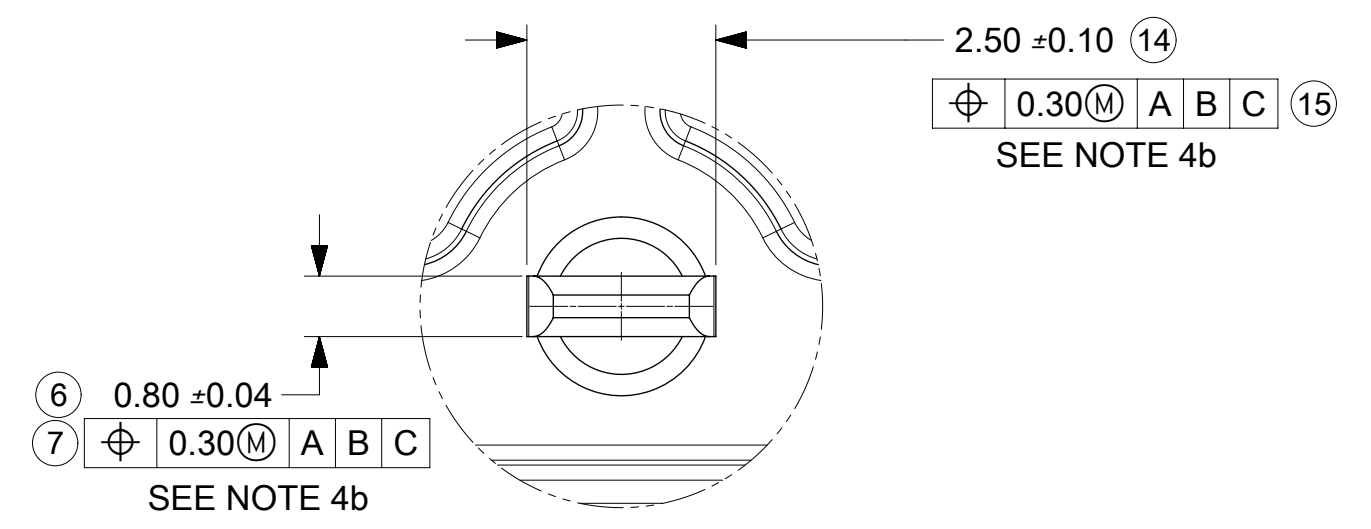
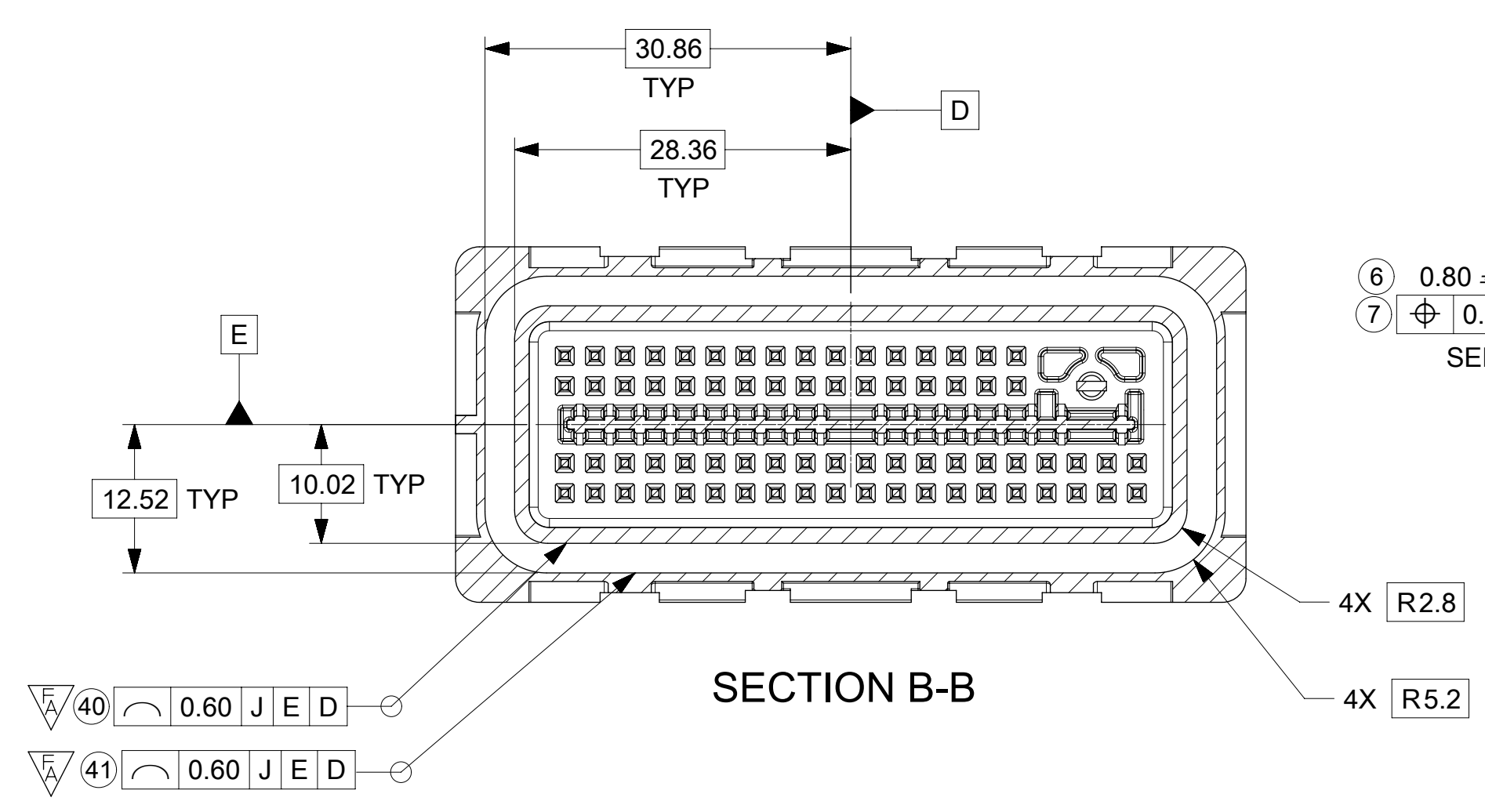
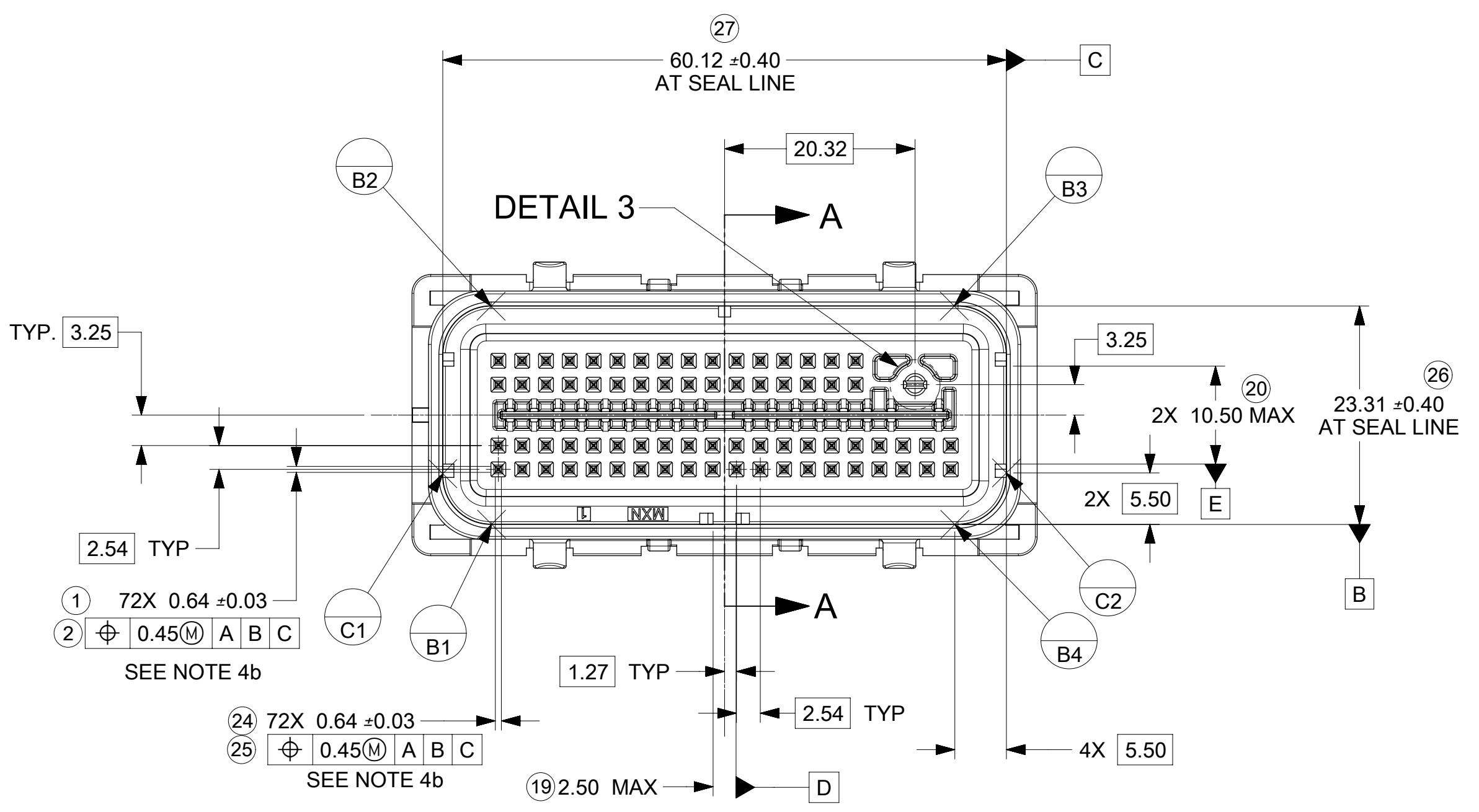
- a. HUMAN READABLE LASER MARKING
 - 1. INFORMATION TO BE PRINTED:
 - DDD - 4 DIGIT JULIAN DATE CODE
 - S_HH - STITHCER NUMBER_HOUR NUMBER (24 HOUR CLOCK)
 - MMMM - LAST FOUR DIGITS OF MOLEX MATERIAL NUMBER
 - 2. SIZE: HUMAN LEGIBLE
- b. PIN MATE SIDE AND PCB SIDE TRUE POSITION TO BE VERIFIED ONLINE WITH A GO/NO-GO FUNCTIONAL GAGE.
- c. ANTI-TARNISH FOR Ag PLATING ONLY: SYTHETIC HYDROCARBON CONTACT SURFACE FINISH OR EQUIVALENT APPLIED WITHOUT VOID TO CONTACT AREA (MIN. 3.7mm FROM PIN TIP).
- d. VISUAL DEFECTS SHALL MEET COSMETIC STANDARD PS-45499-002 (CLASS B).
- e. THERE SHALL BE NO PERMISSIBLE DEFECTS THAT COULD POTENTIALLY PROHIBIT THE FUNCTIONALITY WITHIN THE SEALING SURFACE/ZONE SUCH AS PARTING LINES, MISMATCHES, SINK, TEXTURE VARIATIONS, SCRATCHES/GOUGES, SHORT FILL, PROTRUSIONS, PITS, DENTS/NICKS, BLISTERS OR EJECTOR MARKS

B15	UPDATED PCN 505530 FOR MNOR DRAFT AND RADII
B14	NX REMASTERING
B13	CORRECTED REVISION COLUMN
B12	CORRECTED PCB KEY DIM A & DIM B FOR B & C KEYS
B11	UPDATED PCB KEY DIM A & DIM B FOR ALL KEYS UPDATE STATUS TO SALEABLE
B10	UPDATED NOTE 1c (Au & Ag PACKAGING ARE THE SAME) SAP# 10607192
B9	UPDATED NOTE 1c SAP# 10595870
B8	ADDED NOTE 4d, e & SEALING ZONE DIMS ON PG 2 SAP# 10586362
B7	MODIFIED HIGH RETENTION CAVITY FOR 2.8 GROUND PIN SAP# 10584227
B6	ADDED BALLOONS 1,2,6-15,19,20, 24-47; DELETED BALLOONS 3-5,17, 18,21-23 EDITED ALL NOTES, STATUS & MATING HARNESS PART NUMBER SAP# 10580347
REV	DESCRIPTION

INSPECTION BALLOON LOG	
PER DRAWING REVISION: B8	
LAST INSPECTION BALLOON: 47	
ADDED BALLOON NUMBERS: 1 2 6 7 8 9 10 11 12 13 14 15 19 20 24 25 26 27 28 29 30 31 32 33 34 35 36 37 38 39 40 41 42 43 44 45 46 47	
REMOVED BALLOON NUMBERS: 3 4 5 16 17 18 21 22 23	

THIS DRAWING CONTAINS INFORMATION THAT IS PROPRIETARY TO MOLEX ELECTRONIC TECHNOLOGIES, LLC AND SHOULD NOT BE USED WITHOUT WRITTEN PERMISSION

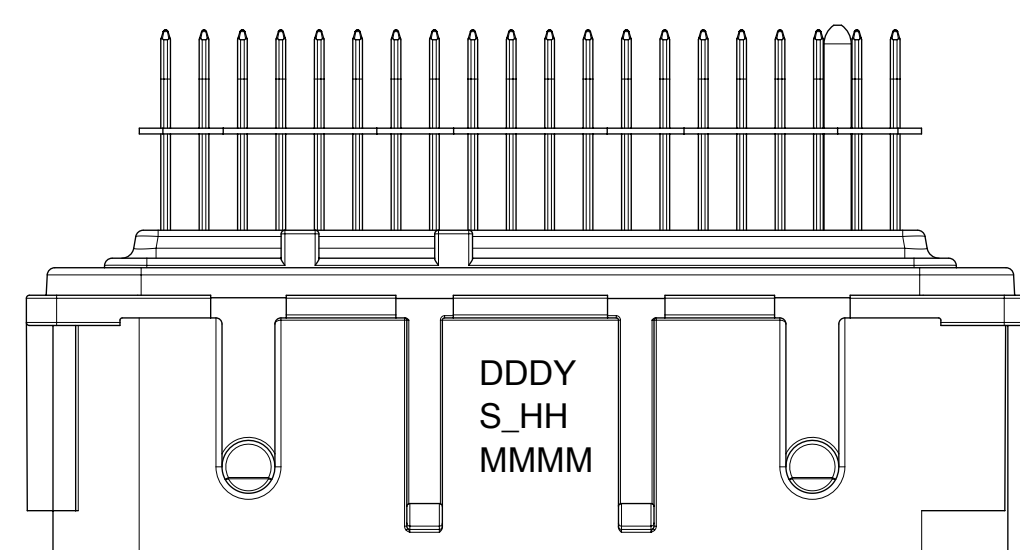
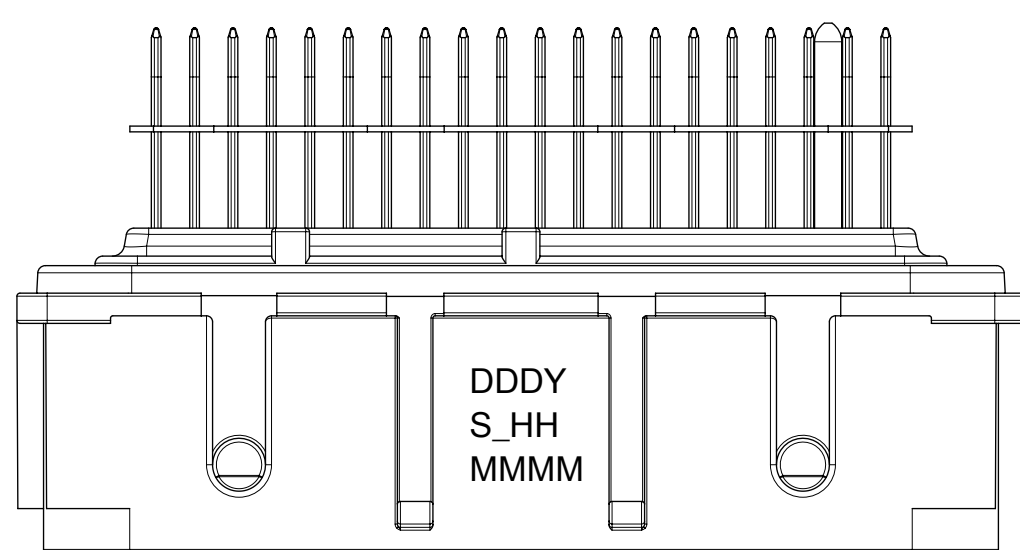
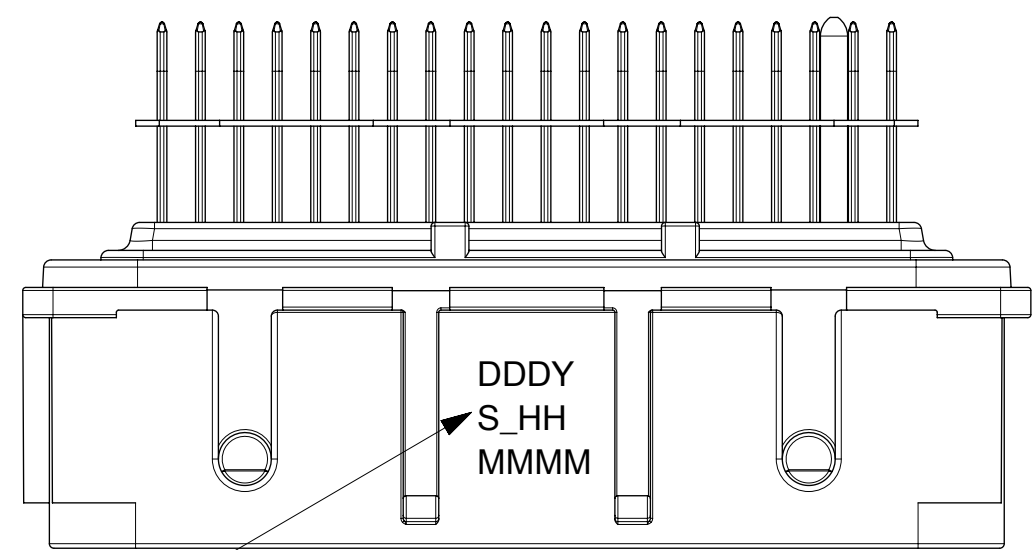
EC NO: 606583 DRWN: BSKANTHARAJU CHKD: DKRAWCZYK REV APPR: DKRAWCZYK	2018/10/12	GENERAL TOLERANCES (UNLESS SPECIFIED)	DIMENSION UNITS	SCALE		
	2018/12/10	ANGULAR TOL \pm 3.0 °	MM	2:1		
	2018/12/10	4 PLACES \pm	DRWN BY	DATE		FJAKLIC 04/30/08
		3 PLACES \pm	CHKD BY	DATE		FJAKLIC 04/30/08
		2 PLACES \pm 0.13	APPR BY	DATE		GPRATT 05/05/08
		1 PLACE \pm 0.25	DRAWING SIZE	THIRD ANGLE PROJECTION		31387 SEE CHART GENERAL MARKET
	0 PLACES \pm	DRAFT WHERE APPLICABLE MUST REMAIN WITHIN DIMENSIONS	D		SERIES: 31387 MATERIAL NUMBER: SEE CHART CUSTOMER: GENERAL MARKET	
B15					DOCUMENT NUMBER: SD-31387-073 DOC TYPE: PSD DOC PART: 000 SHEET NUMBER: 1 OF 3	



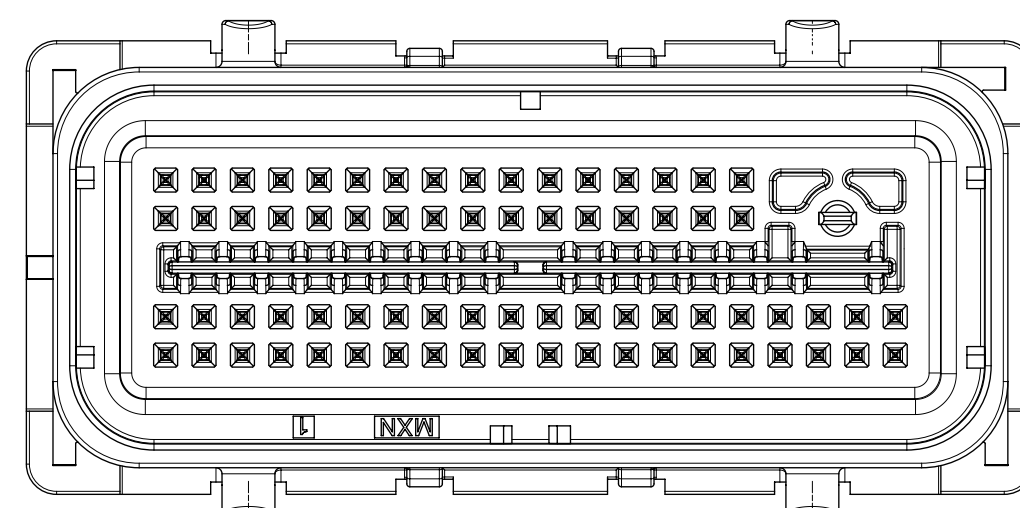
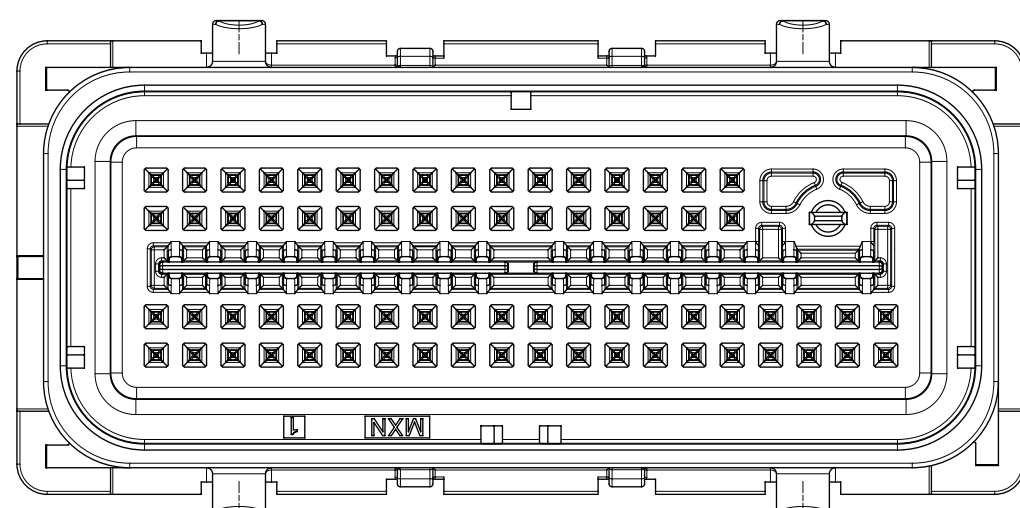
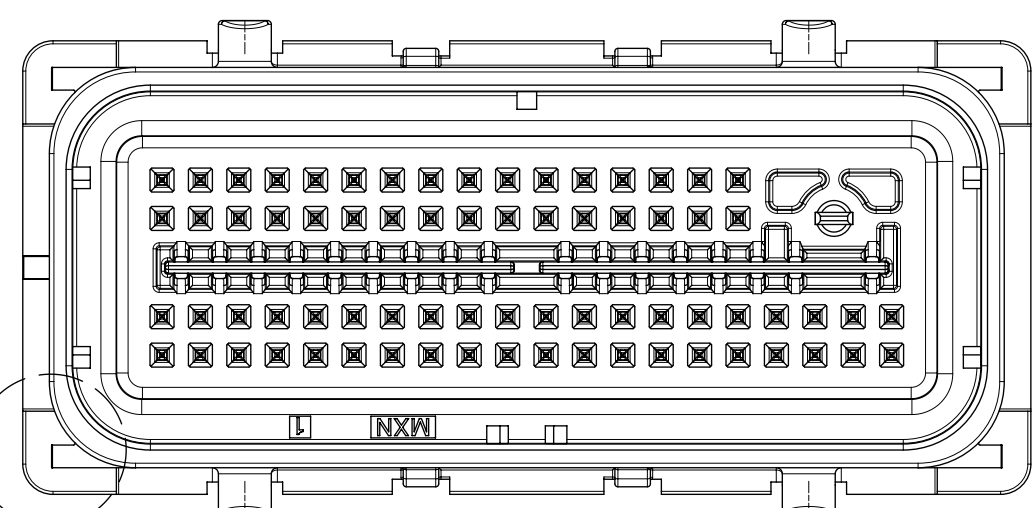
THIS DRAWING CONTAINS INFORMATION THAT IS PROPRIETARY TO MOLEX ELECTRONIC TECHNOLOGIES, LLC AND SHOULD NOT BE USED WITHOUT WRITTEN PERMISSION

EC NO: 606583	DRWN: BSKANTHARAJU	CHKD: DKRAWCZYK	APP: DKRAWCZYK	2018/10/12	2018/12/10	2018/12/10	GENERAL TOLERANCES (UNLESS SPECIFIED)	DIMENSION UNITS	SCALE				
4 PLACES ± 3 PLACES ± 2 PLACES ± 0.13 1 PLACE ± 0.25 0 PLACES ±							ANGULAR TOL ± 3.0 °	MM	2:1	73 CKT SHROUD ASSEMBLY 0.64 SQ. PINS MX123			
DRAFT WHERE APPLICABLE MUST REMAIN WITHIN DIMENSIONS							DRAWING SIZE	THIRD ANGLE PROJECTION	DRWN BY: FJAKLIC DATE: 04/30/08 CHKD BY: FJAKLIC DATE: 04/30/08 APPR BY: GPRATT DATE: 05/05/08		PRODUCT CUSTOMER DRAWING		
B15		SD-31387-073		PSD		000		2 OF 3		SERIES: 31387 MATERIAL NUMBER: SEE CHART CUSTOMER: GENERAL MARKET			

SHROUD ASSEMBLY NUMBER	MATE SIDE PIN FINISH	COLOR	HARNESS SIDE KEY CODE	PCB SIDE KEY LOCATION		MATING HARNESS PART NUMBER (OPT 0, OPT 9)	STATUS
				DIM. "A" ±0.30	DIM. "B" ±0.30		
31387-2014	GOLD	BLACK	A	19.05	34.29	345660103 345661303	SALEABLE
31387-2002	GOLD	GRAY	B	8.89	24.13	345660203 345661403	SALEABLE
31387-2003	GOLD	BLUE	C	8.89	19.05	345660303 345661503	SALEABLE
31387-2034	SILVER	BLACK	A	19.05	34.29	345660103 345661303	SALEABLE
31387-2032	SILVER	GRAY	B	8.89	24.13	345660203 345661403	SALEABLE
31387-2033	SILVER	BLUE	C	8.89	19.05	345660303 345661503	SALEABLE



SHROUD ASSEMBLY TRACEABILITY INFORMATION FOR MOLEX INTERNAL USE ONLY (SEE NOTE 4a)

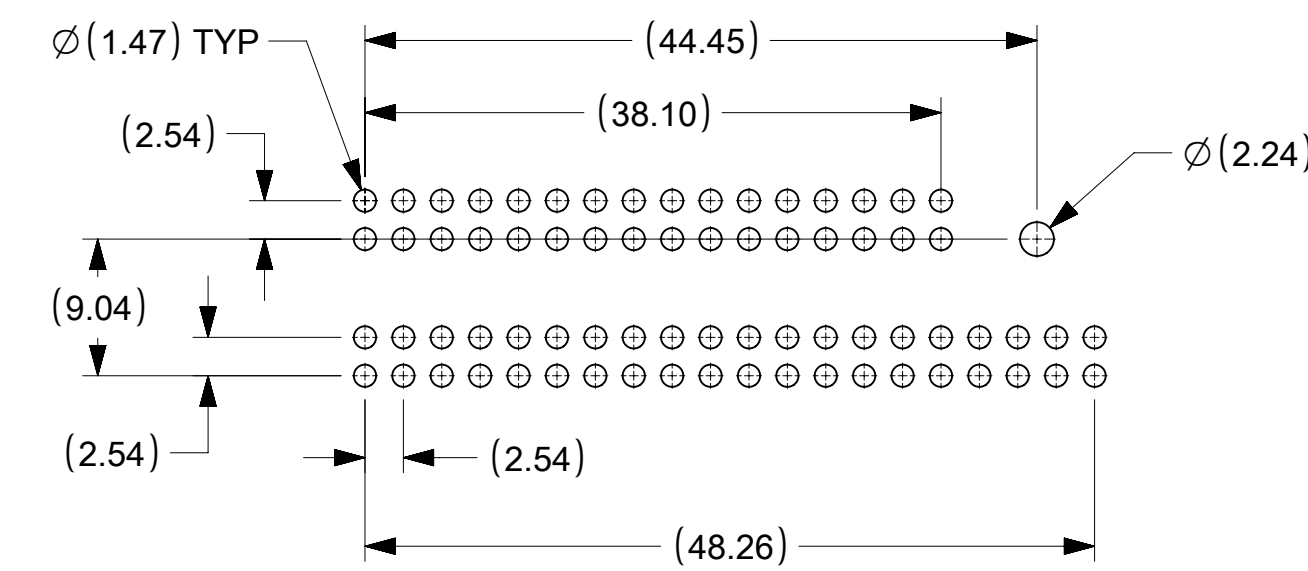


MATE SIDE POLARIZATION KEY AT CORNERS

KEY OPTION "A"

KEY OPTION "B"

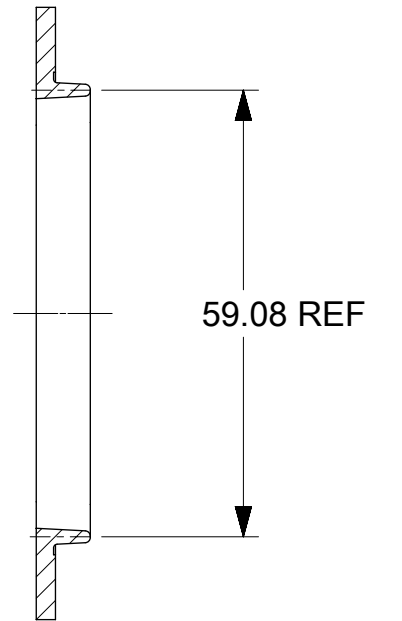
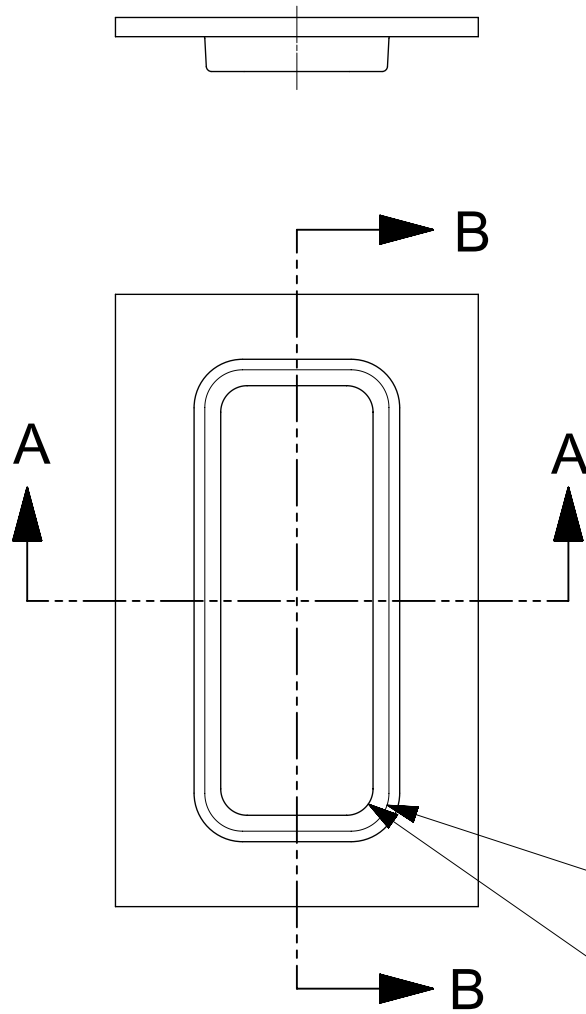
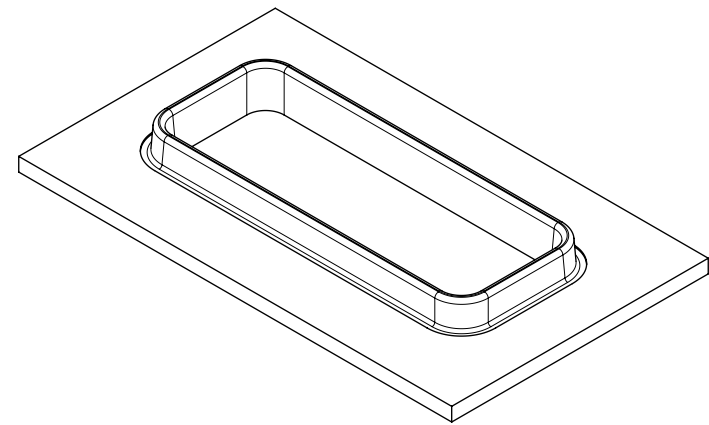
KEY OPTION "C"



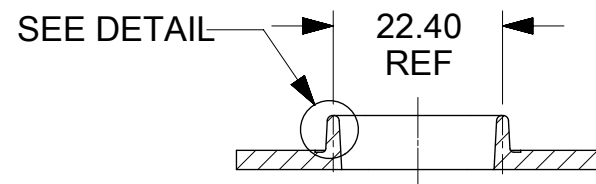
PCB LAYOUT FOR REFERENCE ONLY

THIS DRAWING CONTAINS INFORMATION THAT IS PROPRIETARY TO MOLEX ELECTRONIC TECHNOLOGIES, LLC AND SHOULD NOT BE USED WITHOUT WRITTEN PERMISSION

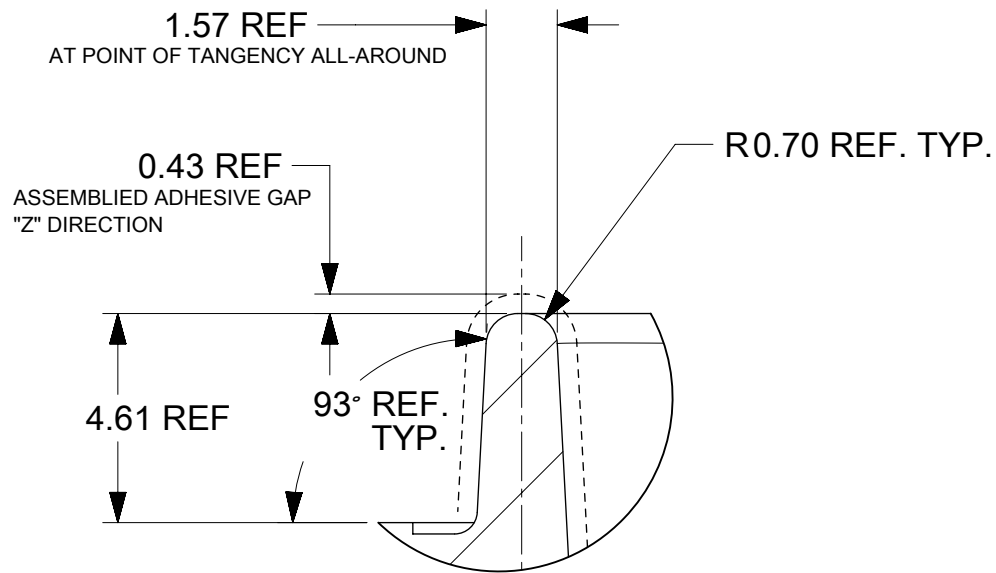
EC NO: 606583 DRWN: BSKANTHARAJU CHKD: DKRAWCZYK APPR: DKRAWCZYK	2018/10/12	GENERAL TOLERANCES (UNLESS SPECIFIED)	DIMENSION UNITS	SCALE		
	2018/12/10	ANGULAR TOL ± 3.0 °	MM	2:1		
	2018/12/10	4 PLACES ±	DRWN BY	DATE		FJAKLIC 04/30/08
		3 PLACES ±	CHKD BY	DATE		FJAKLIC 04/30/08
		2 PLACES ± 0.13	APPR BY	DATE		GPRATT 05/05/08
		1 PLACE ± 0.25	DRAWING SIZE	THIRD ANGLE PROJECTION		D
	0 PLACES ±	DRAFT WHERE APPLICABLE MUST REMAIN WITHIN DIMENSIONS				
B15		PRODUCT CUSTOMER DRAWING		SERIES: 31387 MATERIAL NUMBER: SEE CHART CUSTOMER: GENERAL MARKET		
RELEASE STATUS		RELEASE DATE		DOCUMENT NUMBER: SD-31387-073 DOC TYPE: PSD DOC PART: 000 SHEET NUMBER: 3 OF 3		



SECTION B-B



SECTION A-A



SCALE 6:1

THIS DRAWING CONTAINS INFORMATION THAT IS PROPRIETARY TO MOLEX ELECTRONIC TECHNOLOGIES, LLC AND SHOULD NOT BE USED WITHOUT WRITTEN PERMISSION											
QUALITY SYMBOLS	EC NO: 121890 DRWN: BSKANTHARAJU CHKD: APPR: DKRAWCZYK	2017/03/28 2017/10/12	GENERAL TOLERANCES (UNLESS SPECIFIED)		DIMENSION UNITS	SCALE					
			ANGULAR TOL ± °		MM	1:1					
▽ = 0	B1	REV	4 PLACES ±	DRWN BY	DATE		<p>LARGE FOOTPRINT ADHESIVE TONGUE GEOMETRY</p>				
▽ = 0			3 PLACES ±	FJAKLIC	11/21/2008						
▽ = 0			2 PLACES ±	CHK'D BY	DATE						
▼ = 0			1 PLACE ±	GPRATT	11/21/2008		<p>PRODUCT CUSTOMER DRAWING</p>				
▽ = 0			0 PLACES ±	APPR BY	DATE						
⊠ = 0			DRAFT WHERE APPLICABLE MUST REMAIN WITHIN DIMENSIONS		DRAWING SIZE	THIRD ANGLE PROJECTION			SERIES	MATERIAL NUMBER	CUSTOMER
■ = 0			B				31387		GENERAL MARKET		
▽ = 0						DOCUMENT NUMBER	DOC TYPE	DOC PART	SHEET NUMBER		
						SD-31387-173	PSD	000	1 OF 1		

RELEASE STATUS	RELEASE DATE
----------------	--------------