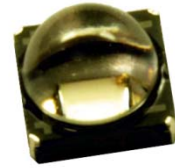


LuxiGen™ High Efficiency VIOLET LED Emitter

LZ1-00UB0R



Key Features

- High Efficiency VIOLET (385-420nm) LED emitter
- Ultra-small foot print – 4.4mm x 4.4mm
- Surface mount ceramic package with integrated glass lens
- Very low Thermal Resistance (4.2°C/W)
- Electrically neutral thermal path
- Very high Radiant Flux density
- JEDEC Level 1 for Moisture Sensitivity Level
- Lead (Pb) free and RoHS compliant
- Emitter available on Star MCPCB (optional)

Typical Applications

- Ink and adhesive curing
- Dental Curing and Teeth Whitening
- Counterfeit Identification
- Leakage Detection
- Sterilization and Medical
- DNA Gel

Description

The LZ1-00UB0R VIOLET LED emitter provides superior radiometric power in the wavelength range specifically required for sterilization, dental curing lights, and numerous medical applications. With a 4.4mm x 4.4mm ultra-small footprint, this package provides exceptional optical power density. The radiometric power performance and optimal peak wavelength of this LED are matched to the response curves of dental resins, inks and adhesives, resulting in a significantly reduced curing time. The patented design has unparalleled thermal and optical performance. The high quality materials used in the package are chosen to optimize light output, have excellent VIOLET resistance, and minimize stresses which results in monumental reliability and radiant flux maintenance.



Part number options

Base part number

| Part number | Description |
|-----------------|------------------------------------|
| LZ1-00UB0R-xxxx | LZ1 emitter |
| LZ1-10UB0R-xxxx | LZ1 emitter on Standard Star MCPCB |

Bin kit option codes

Single wavelength bin

| Kit number suffix | Min flux Bin | Color Bin Range | Description |
|-------------------|--------------|-----------------|---|
| 00U4 | M1 | U4 | M1 minimum flux; wavelength U4 bin only |
| 00U5 | M1 | U5 | M1 minimum flux; wavelength U5 bin only |
| 00U6 | M1 | U6 | M1 minimum flux; wavelength U6 bin only |
| 00U7 | M1 | U7 | M1 minimum flux; wavelength U7 bin only |
| 00U8 | M1 | U8 | M1 minimum flux; wavelength U8 bin only |

Radiant Flux Bins

Table 1:

| Bin Code | Minimum Radiant Flux (Φ) @ $I_F = 700\text{mA}^{[1]}$ (mW) | Maximum Radiant Flux (Φ) @ $I_F = 700\text{mA}^{[1]}$ (mW) |
|----------|--|--|
| M1 | 1100 | 1375 |
| N1 | 1375 | 1760 |

Notes for Table 1:

1. Radiant flux performance is measured at specified current, 10ms pulse width, $T_c = 25^\circ\text{C}$. LED Engin maintains a tolerance of $\pm 10\%$ on flux measurements.

Peak Wavelength Bins

Table 2:

| Bin Code | Minimum Peak Wavelength (λ_P) @ $I_F = 700\text{mA}^{[1]}$ (nm) | Maximum Peak Wavelength (λ_P) @ $I_F = 700\text{mA}^{[1]}$ (nm) |
|----------|--|--|
| U4 | 385 | 390 |
| U5 | 390 | 395 |
| U6 | 395 | 400 |
| U7 | 400 | 405 |
| U8 | 405 | 410 |

Notes for Table 2:

1. Peak wavelength is measured at specified current, 10ms pulse width, $T_c = 25^\circ\text{C}$. LED Engin maintains a tolerance of $\pm 2.0\text{nm}$ on peak wavelength measurements.

Forward Voltage Bins

Table 3:

| Bin Code | Minimum Forward Voltage (V_F) @ $I_F = 700\text{mA}^{[1]}$ (V) | Maximum Forward Voltage (V_F) @ $I_F = 700\text{mA}^{[1]}$ (V) |
|----------|---|---|
| 0 | 3.20 | 4.20 |

Notes for Table 3:

1. Forward voltage is measured at specified current, 10ms pulse width, $T_c = 25^\circ\text{C}$. LED Engin maintains a tolerance of $\pm 0.04\text{V}$ for forward voltage measurements.

Absolute Maximum Ratings

Table 4:

| Parameter | Symbol | Value | Unit |
|--|-----------|------------|------|
| DC Forward Current ^[1] | I_F | 1000 | mA |
| Peak Pulsed Forward Current ^[2] | I_{FP} | 1000 | mA |
| Reverse Voltage | V_R | See Note 3 | V |
| Storage Temperature | T_{stg} | -40 ~ +150 | °C |
| Junction Temperature | T_J | 130 | °C |
| Soldering Temperature ^[4] | T_{sol} | 260 | °C |

Notes for Table 4:

1. Maximum DC forward current is determined by the overall thermal resistance and ambient temperature. Follow the curves in Figure 11 for current derating.
2. Pulse forward current conditions: Pulse Width \leq 10msec and Duty Cycle \leq 10%.
2. LEDs are not designed to be reverse biased.
3. T_{J-max} 130C was tested while T_{C-max} 70C
4. Solder conditions per JEDEC 020D. See Reflow Soldering Profile Figure 3
5. LED Engin recommends taking reasonable precautions towards possible ESD damages and handling the LZ1-00UB0R in an electrostatic protected area (EPA). An EPA may be adequately protected by ESD controls as outlined in ANSI/ESD S6.1.

Optical Characteristics @ $T_C = 25^\circ\text{C}$

Table 5:

| Parameter | Symbol | Typical | | | | Unit |
|---|-----------------|-----------|-----------|-----------|-----------|---------|
| | | 385-390nm | 390-400nm | 400-410nm | 410-420nm | |
| Radiant Flux (@ $I_F = 700\text{mA}$) | Φ | 1350 | 1350 | 1230 | 1230 | mW |
| Radiant Flux (@ $I_F = 1000\text{mA}$) | Φ | 1822 | 1822 | 1660 | 1660 | mW |
| Peak Wavelength ^[1] | λ_p | 385 | 395 | 405 | 415 | nm |
| Viewing Angle ^[2] | $2\theta_{1/2}$ | 68 | | | | Degrees |
| Total Included Angle ^[3] | $\theta_{0.9V}$ | 100 | | | | Degrees |

Notes for Table 5:

1. When operating the VIOLET LED, observe IEC 60825-1 class 3B rating. Avoid exposure to the beam.
2. Viewing Angle is the off axis angle from emitter centerline where the radiometric power is $\frac{1}{2}$ of the peak value.
3. Total Included Angle is the total angle that includes 90% of the total radiant flux.

Electrical Characteristics @ $T_C = 25^\circ\text{C}$

Table 6:

| Parameter | Symbol | Typical | Unit |
|--|---------------------------|---------|-------|
| Forward Voltage (@ $I_F = 700\text{mA}$) | V_F | 3.7 | V |
| Forward Voltage (@ $I_F = 1000\text{mA}$) | V_F | 3.9 | V |
| Temperature Coefficient of Forward Voltage | $\Delta V_F / \Delta T_J$ | -2.2 | mV/°C |
| Thermal Resistance (Junction to Case) | $R_{\theta J-C}$ | 4.2 | °C/W |

IPC/JEDEC Moisture Sensitivity Level

Table 7 - IPC/JEDEC J-STD-20D.1 MSL Classification:

| Level | Soak Requirements | | | | | |
|-------|-------------------|-------------------|--------------|-----------------|-------------|------------|
| | Floor Life | | Standard | | Accelerated | |
| | Time | Conditions | Time (hrs) | Conditions | Time (hrs) | Conditions |
| 1 | Unlimited | ≤ 30°C/ 85% RH | 168 +5/-0 | 85°C/ 85% RH | n/a | n/a |

Notes for Table 7:

1. The standard soak time includes a default value of 24 hours for semiconductor manufacturer's exposure time (MET) between bake and bag and the floor life of maximum time allowed out of the bag at the end user of distributor's facility.

Preliminary

Mechanical Dimensions (mm)

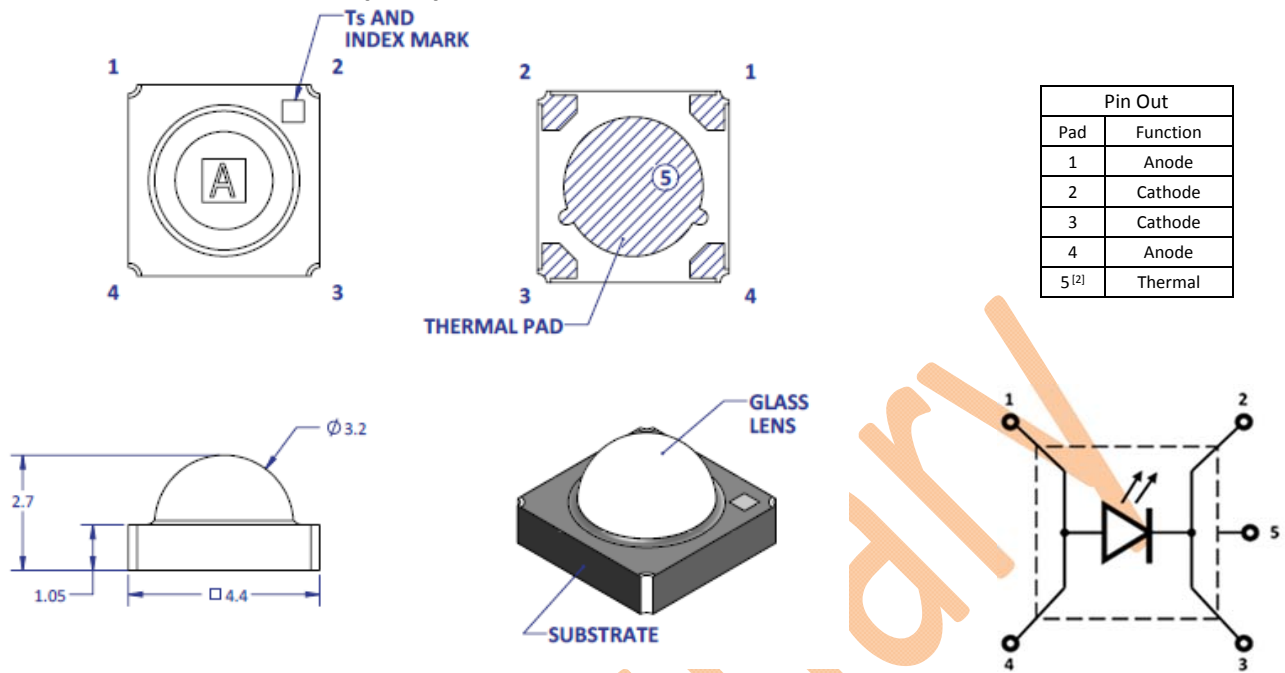


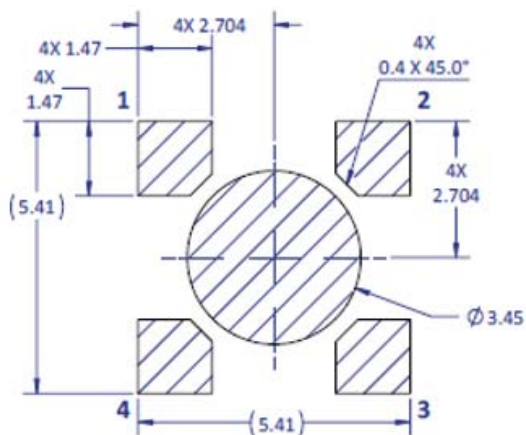
Figure 1: Package outline drawing.

Notes for Figure 1:

1. Unless otherwise noted, the tolerance = ± 0.20 mm.
2. Thermal contact, Pad 5, is electrically neutral.
3. Tc point = index mark

Recommended Solder Pad Layout (mm)

Non-pedestal MCPCB Design



Pedestal MCPCB Design

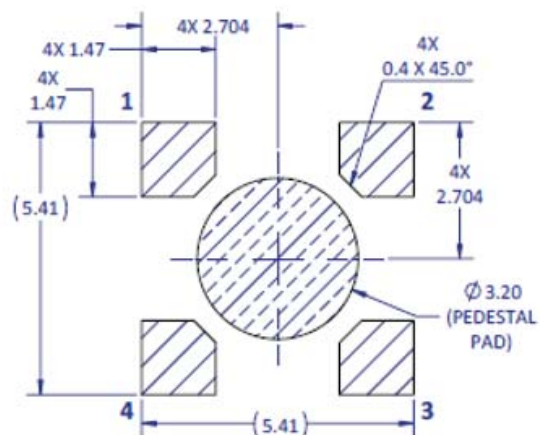


Figure 2a:

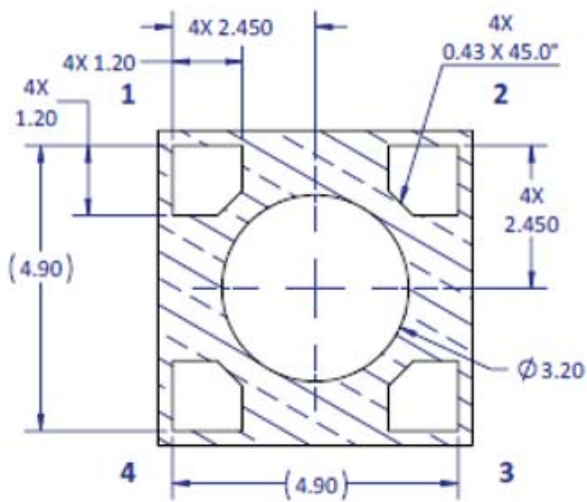
Recommended solder pad layout for anode, cathode, and thermal pad for non-pedestal and pedestal design

Note for Figure 2a:

1. Unless otherwise noted, the tolerance = ± 0.20 mm.
2. Pedestal MCPCB allows the emitter thermal slug to be soldered directly to the metal core of the MCPCB. Such MCPCB eliminate the high thermal resistance dielectric layer that standard MCPCB technologies use in between the emitter thermal slug and the metal core of the MCPCB, thus lowering the overall system thermal resistance.
3. LED Engin recommends x-ray sample monitoring for solder voids underneath the emitter thermal slug. The total area covered by solder voids should be less than 20% of the total emitter thermal slug area. Excessive solder voids will increase the emitter to MCPCB thermal resistance and may lead to higher failure rates due to thermal over stress.
4. This emitter is compatible with all LZ1 MCPCBs provided that the MCPCB design follows the recommended solder mask layout (Figure 2b).

Recommended Solder Mask Layout (mm)

Non-pedestal MCPCB Design



Pedestal MCPCB Design

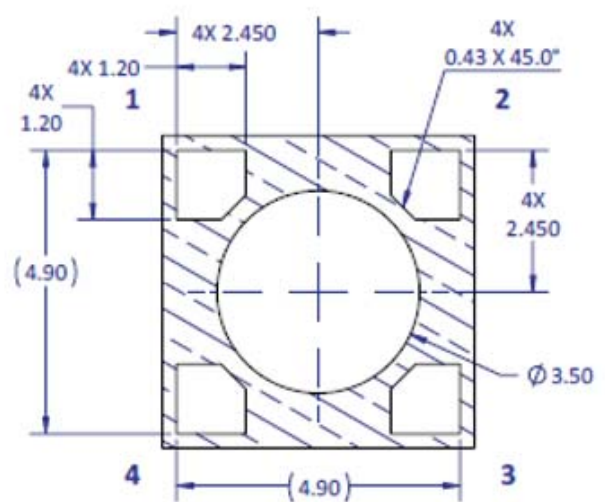


Figure 2b: Recommended solder mask opening for anode, cathode, and thermal pad for non-pedestal and pedestal design

Note for Figure 2b:

1. Unless otherwise noted, the tolerance = ± 0.20 mm.

Recommended 8mil Stencil Apertures Layout (mm)

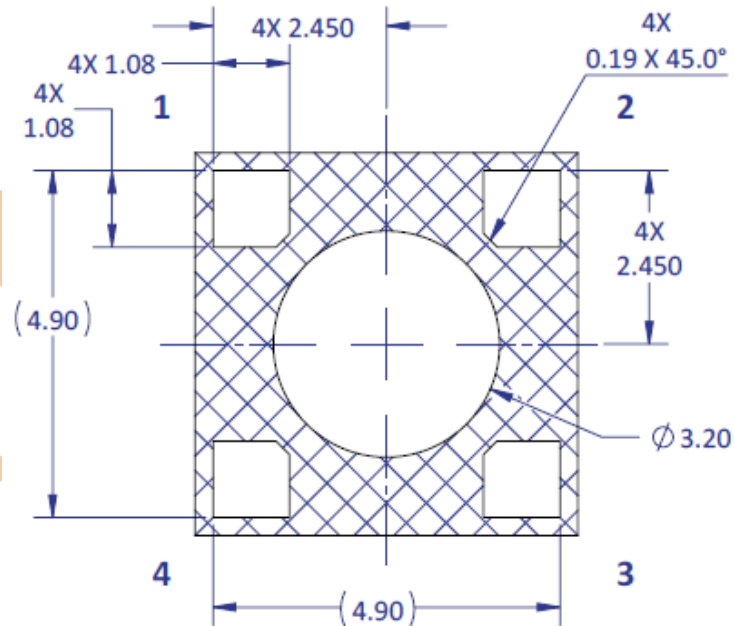


Figure 2c: Recommended solder mask opening for anode, cathode, and thermal pad for non-pedestal and pedestal design

Note for Figure 2c:

1. Unless otherwise noted, the tolerance = ± 0.20 mm

Reflow Soldering Profile

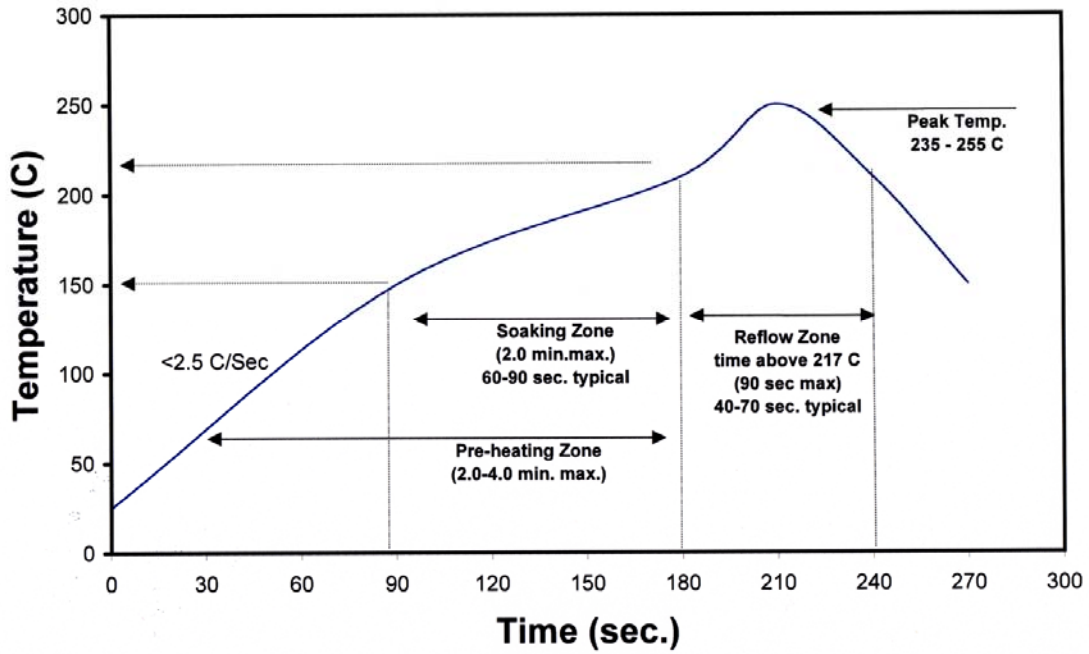


Figure 3: Reflow soldering profile for lead free soldering.

Typical Radiation Pattern

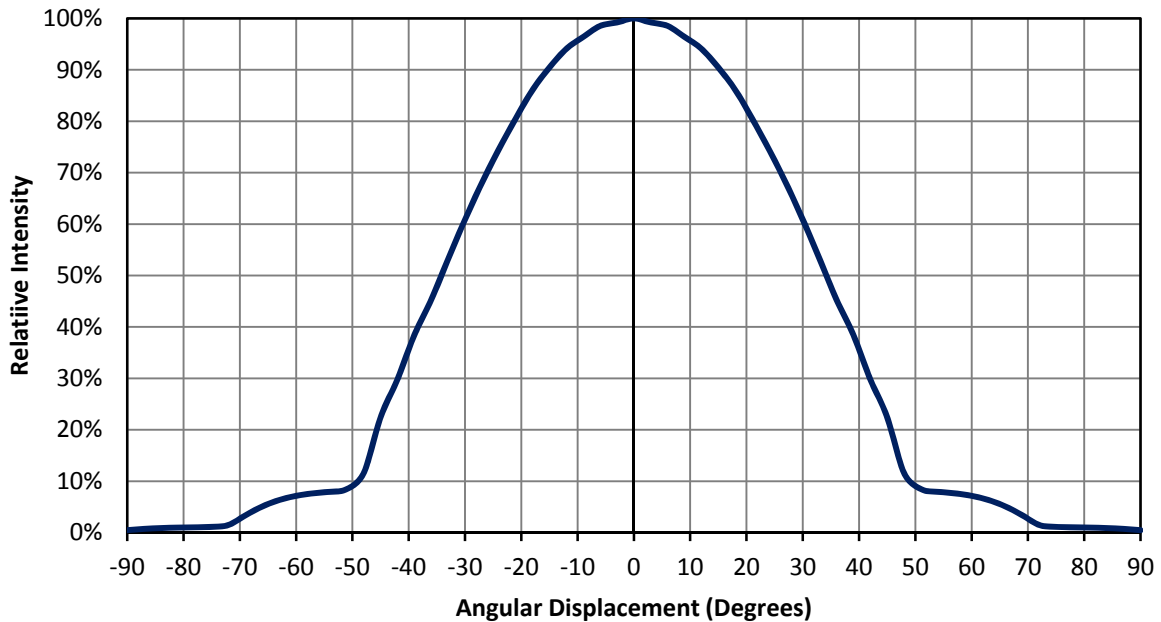


Figure 4: Typical representative spatial radiation pattern

Typical Relative Spectral Power Distribution

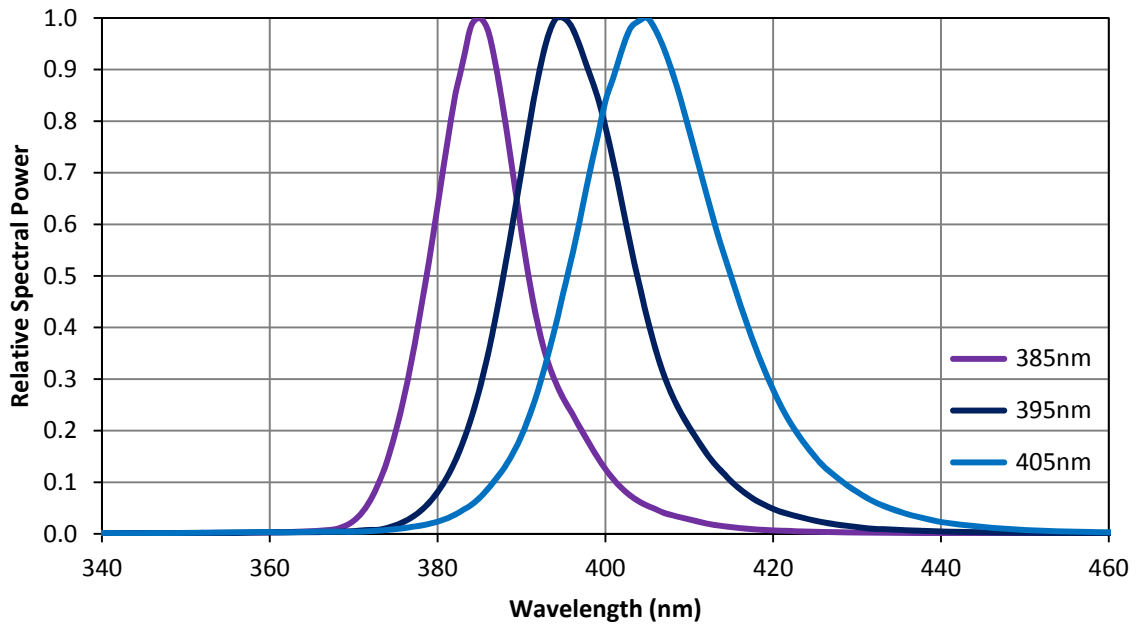


Figure 5: Typical relative spectral power vs. wavelength @ $T_c = 25^\circ\text{C}$.

Typical Forward Current Characteristics

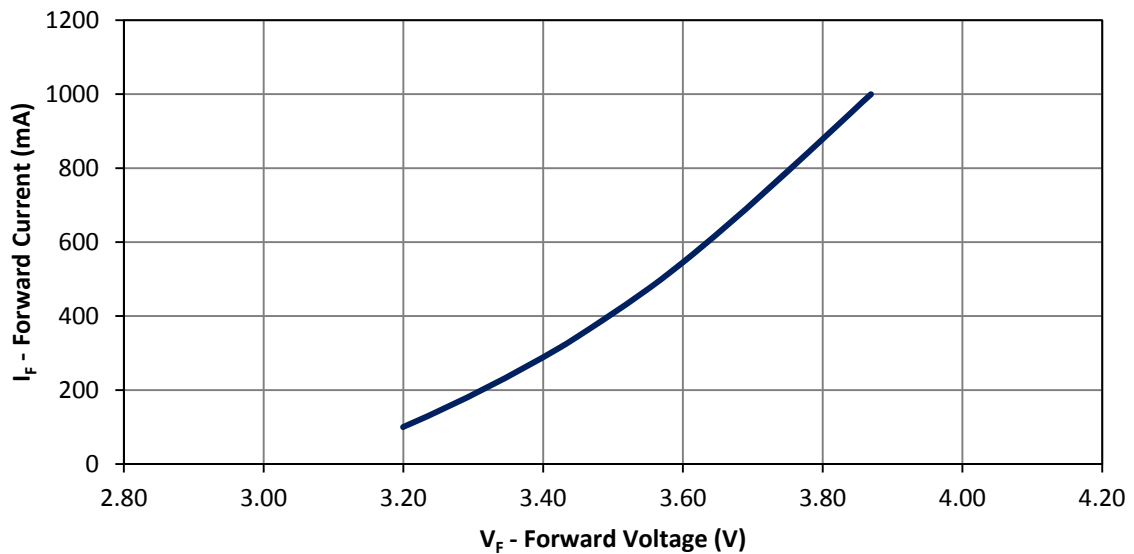


Figure 6: Typical forward current vs. forward voltage @ $T_c = 25^\circ\text{C}$.

Typical Normalized Radiant Flux over Current

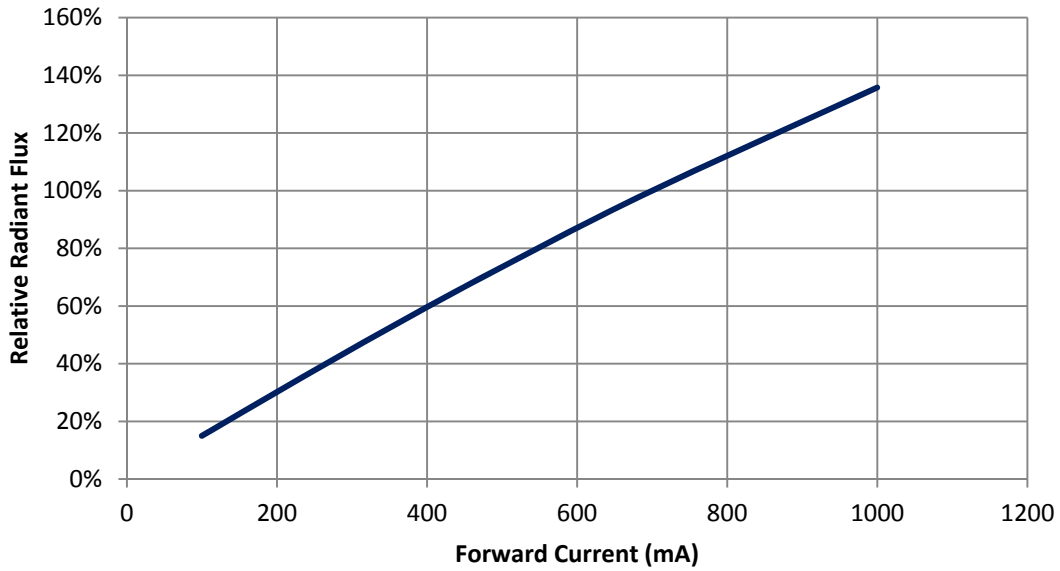


Figure 7: Typical normalized radiant flux vs. forward current @ $T_c = 25^\circ\text{C}$.

Typical Normalized Radiant Flux over Temperature

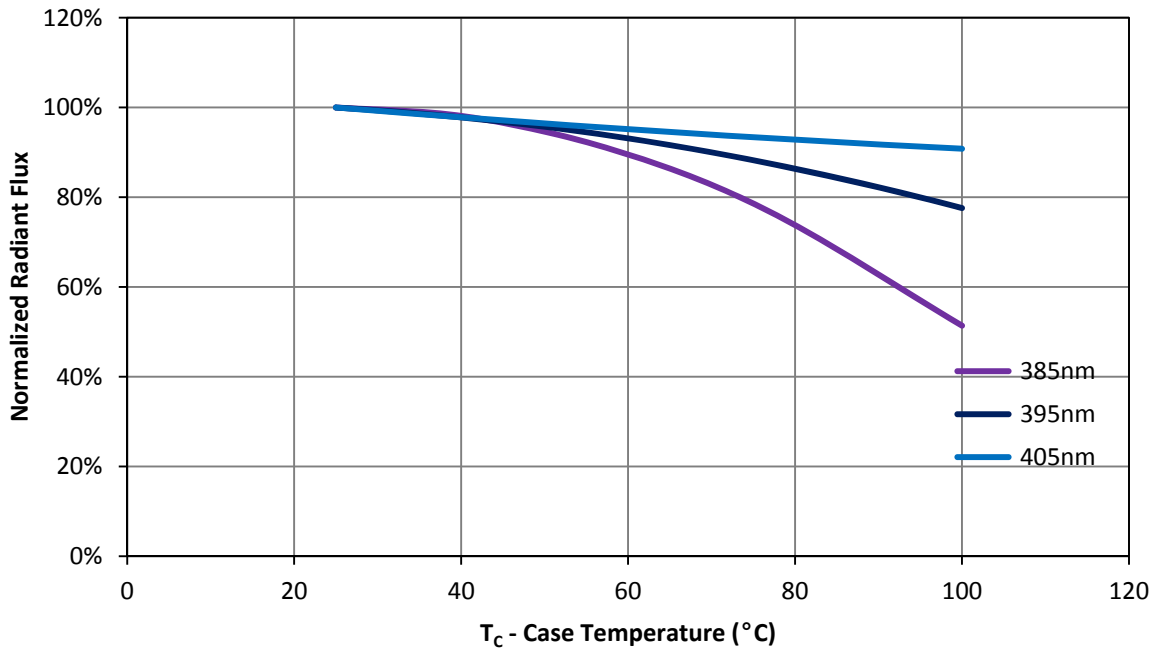


Figure 8: Typical normalized radiant flux vs. case temperature @ 700mA

Typical Peak Wavelength Shift over Current

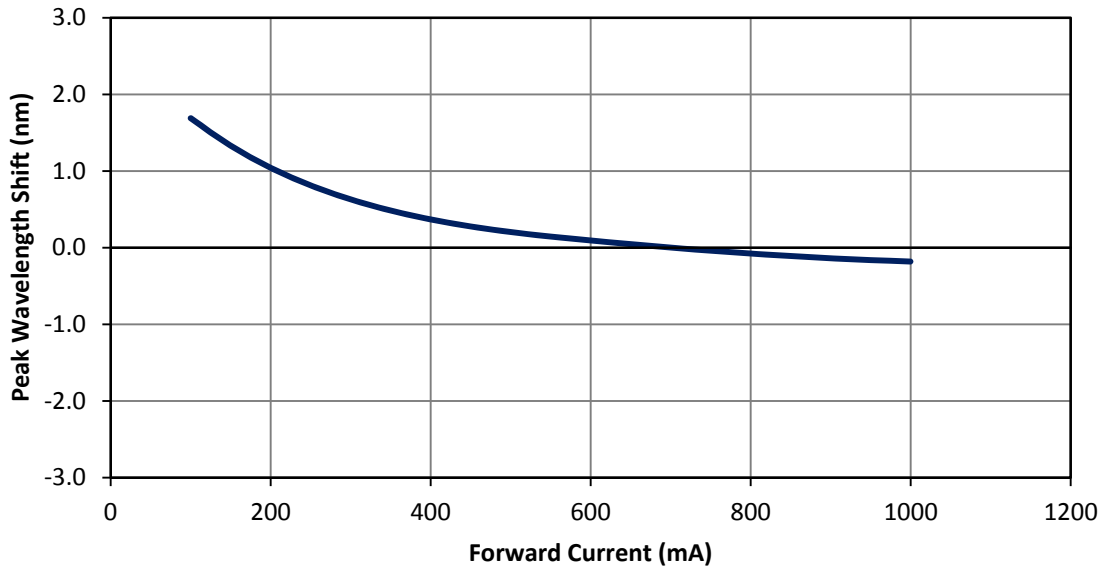


Figure 9: Typical peak wavelength shift vs. forward current @ Tc = 25°C

Typical Peak Wavelength Shift over Temperature

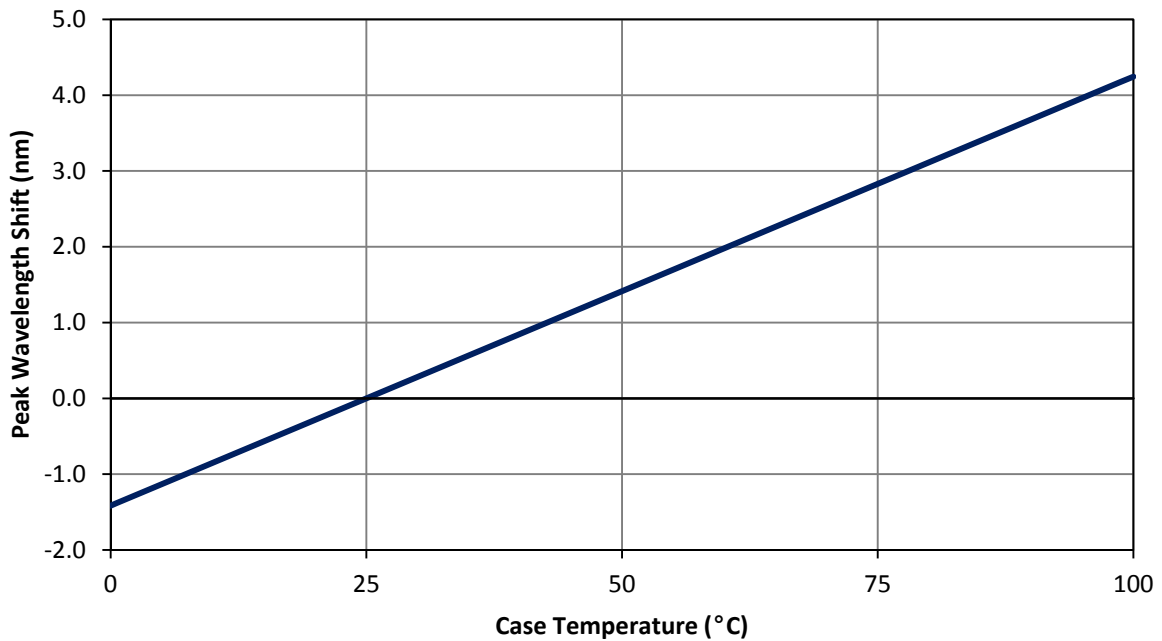


Figure 10: Typical peak wavelength shift vs. case temperature @700mA

Current De-rating

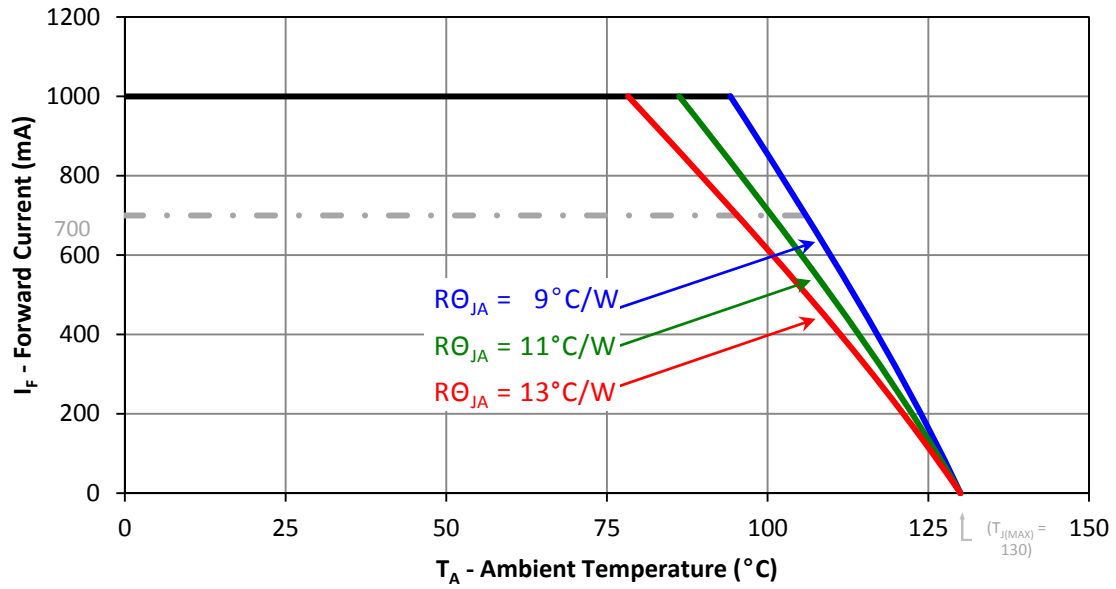


Figure 11: Maximum forward current vs. ambient temperature based on $T_{j(\text{MAX})} = 130^\circ\text{C}$.

Notes for Figure 11:

1. $R\theta_{j-c}$ [Junction to Case Thermal Resistance] for the LZ1-00UB0R is typically 4.2°C/W .
2. $R\theta_{j-a}$ [Junction to Ambient Thermal Resistance] = $R\theta_{j-c}$ + $R\theta_{c-a}$ [Case to Ambient Thermal Resistance].

Preliminary

Emitter Tape and Reel Specifications (mm)

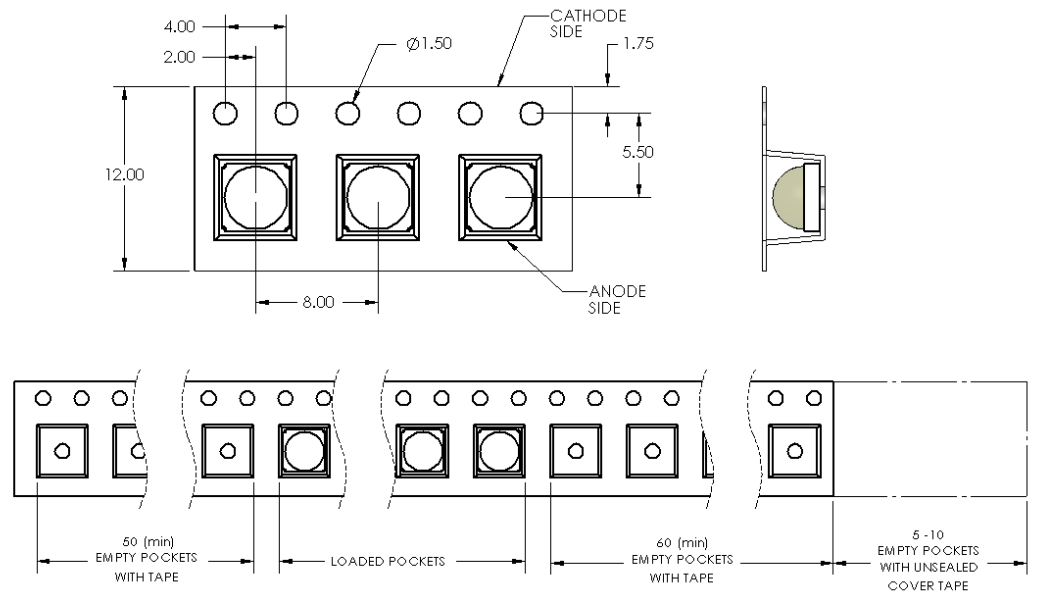


Figure 12: Emitter carrier tape specifications (mm).

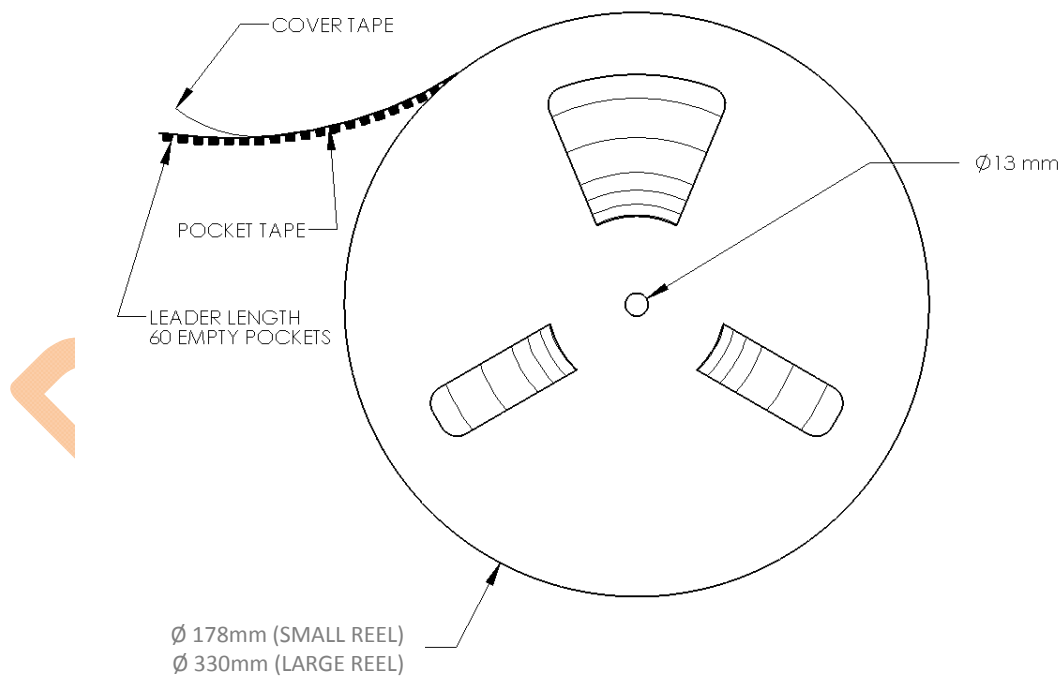


Figure 13: Emitter reel specifications (mm).

Notes:

1. Small reel quantity: up to 500 emitters
2. Large reel quantity: 501-2500 emitters.
3. Single flux bin and single wavelength bin per reel.

LZ1 MCPCB Family

| Part number | Type of MCPCB | Diameter (mm) | Emitter + MCPCB Thermal Resistance (°C /W) | Typical V _F (V) | Typical I _F (mA) |
|-------------|----------------|---------------|--|----------------------------|-----------------------------|
| LZ1-1xxxxx | 1-channel Star | 19.9 | 4.2 + 1.5 = 5.7 | 3.7 | 700 |

Mechanical Mounting of MCPCB

- MCPCB bending should be avoided as it will cause mechanical stress on the emitter, which could lead to substrate cracking and subsequently LED dies cracking.
- To avoid MCPCB bending:
 - Special attention needs to be paid to the flatness of the heat sink surface and the torque on the screws.
 - Care must be taken when securing the board to the heat sink. This can be done by tightening three M3 screws (or #4-40) in steps and not all the way through at once. Using fewer than three screws will increase the likelihood of board bending.
 - It is recommended to always use plastics washers in combinations with the three screws.
 - If non-taped holes are used with self-tapping screws, it is advised to back out the screws slightly after tightening (with controlled torque) and then re-tighten the screws again.

Thermal interface material

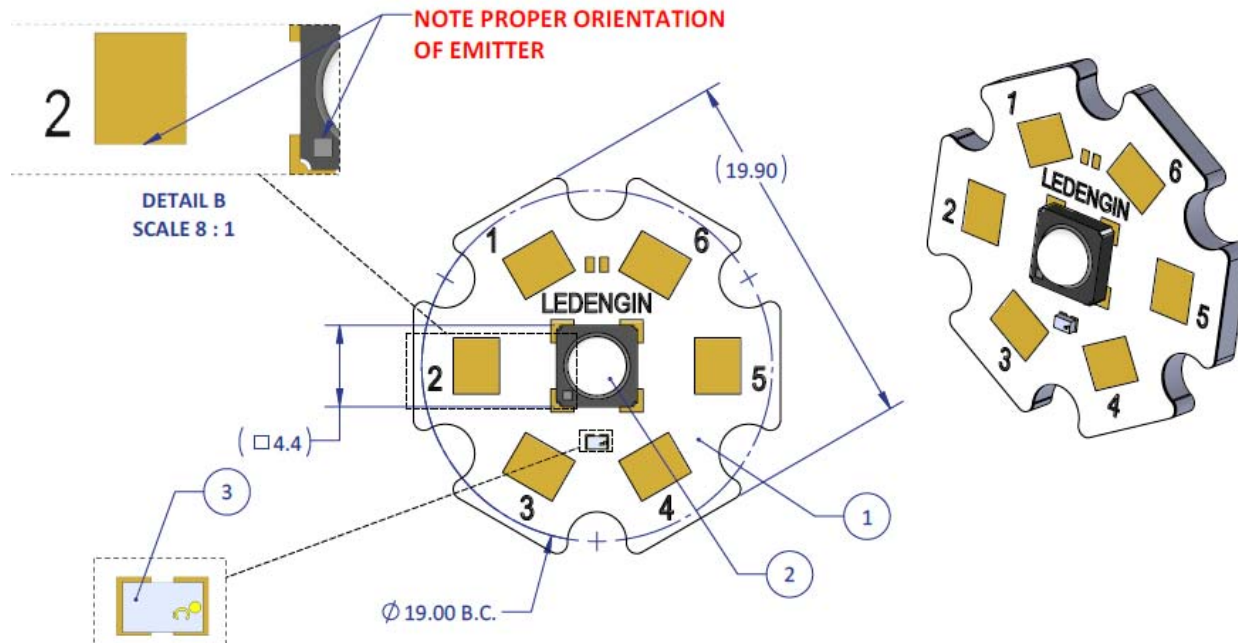
- To properly transfer heat from LED emitter to heat sink, a thermally conductive material is required when mounting the MCPCB on to the heat sink.
- There are several varieties of such material: thermal paste, thermal pads, phase change materials and thermal epoxies. An example of such material is Electrolube EHTC.
- It is critical to verify the material's thermal resistance to be sufficient for the selected emitter and its operating conditions.

Wire soldering

- To ease soldering wire to MCPCB process, it is advised to preheat the MCPCB on a hot plate of 125-150°C. Subsequently, apply the solder and additional heat from the solder iron will initiate a good solder reflow. It is recommended to use a solder iron of more than 60W.
- It is advised to use lead-free, no-clean solder. For example: SN-96.5 AG-3.0 CU 0.5 #58/275 from Kester (pn: 24-7068-7601)

LZ1-1xxxxx

1 channel, Standard Star MCPCB (1x1) Dimensions (mm)



Notes:

- Unless otherwise noted, the tolerance = ± 0.2 mm.
- Slots in MCPCB are for M3 or #4-40 mounting screws.
- LED Engin recommends plastic washers to electrically insulate screws from solder pads and electrical traces.
- LED Engin recommends using thermal interface material when attaching the MCPCB to a heat sink.
- The thermal resistance of the MCPCB is: $R_{\theta C-B} 1.5^{\circ}\text{C/W}$

Components used

MCPCB: HT04503 (Bergquist)
 ESD/TVS Diode: BZT52C5V1LP-7 (Diodes, Inc., for 1 LED die)
 VBUS05L1-DD1 (Vishay Semiconductors, for 1 LED die)

| Pad layout | | | |
|------------|----------------|------------|----------------------|
| Ch. | MCPCB Pad | String/die | Function |
| 1 | 1,2,3 4,5,6 | 1/A | Cathode - Anode + |

About LED Engin

LED Engin, an OSRAM business based in California's Silicon Valley, develops, manufactures, and sells advanced LED emitters, optics and light engines to create uncompromised lighting experiences for a wide range of entertainment, architectural, general lighting and specialty applications. LuxiGen™ multi-die emitter and secondary lens combinations reliably deliver industry-leading flux density, upwards of 5000 quality lumens to a target, in a wide spectrum of colors including whites, tunable whites, multi-color and UV LEDs in a unique patented compact ceramic package. Our LuxiTune™ series of tunable white lighting modules leverage our LuxiGen emitters and lenses to deliver quality, control, freedom and high density tunable white light solutions for a broad range of new recessed and downlighting applications. The small size, yet remarkably powerful beam output and superior in-source color mixing, allows for a previously unobtainable freedom of design wherever high-flux density, directional light is required. LED Engin is committed to providing products that conserve natural resources and reduce greenhouse emissions; and reserves the right to make changes to improve performance without notice.

For more information, please contact LEDE-Sales@osram.com or +1 408 922-7200.

Preliminary