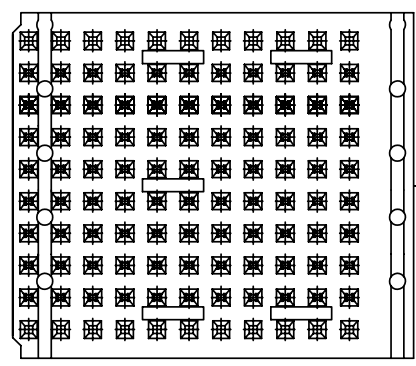
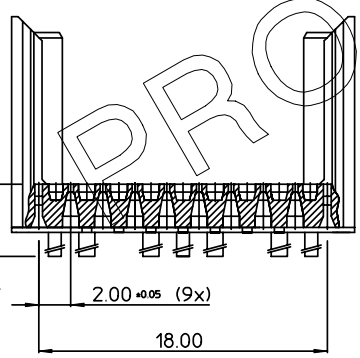
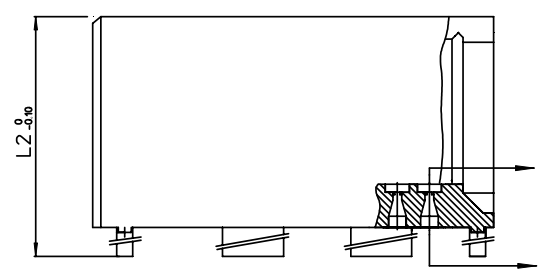


GEN. ST.	01	02	03	04	05	06	07	08	0D	50	60	70	80	90																	
INT. ST.	10	11	12	13	14	18	20	31	32	33	34	38	39	40	42	43	44	45	46	48	56	70	72	73	75	76	81	82	83	84	88

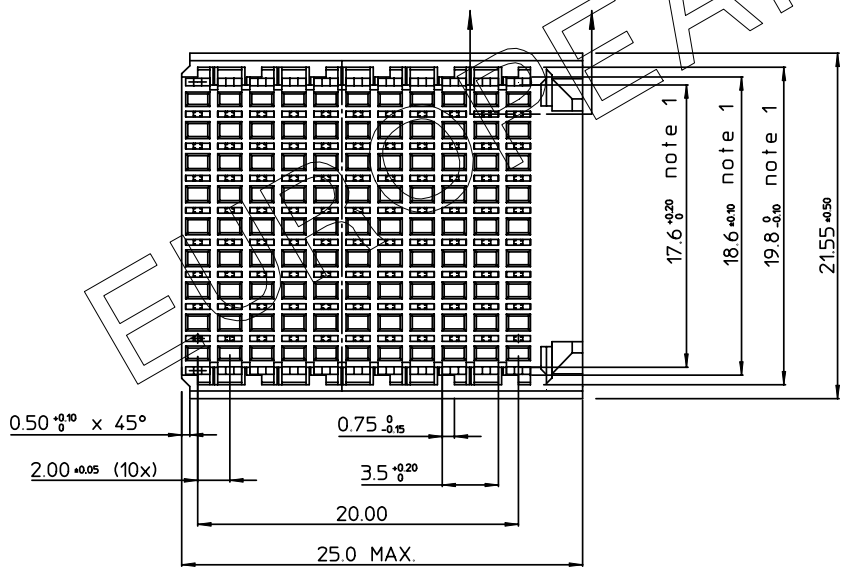
REV.	DATE	DESCRIPTION	BY	C'K'D'
B	2002-10-16	B20174	MF	
C	2003-07-23	B20174	BKP	
D	2005-11-22	I05-0241	ALEX B	BKP
E	2006-08-08	I06-0144	ALEX B	BKP




- NOTES: 1. MEASURED AT THE BOTTOM
 2. MATERIAL: GLASSREINFORCED POLYESTER UL94 - V0
 3. THE *LF* PRODUCT MEETS EUROPEAN UNION DIRECTIVES AND OTHER COUNTRY REGULATIONS AS DESCRIBED IN GS-22-008.
 4. PARTS WITH AND WITHOUT SUFFIX LF TO THE PRODUCT PART NUMBER ARE IDENTICAL IN FORM, FIT AND FUNCTION. LF SUFFIX IS ADDED TO THE PART NUMBER OF THIS PRODUCT TO HAVE UNIFORM IDENTIFICATION OF ALL RoHS COMPATIBLE PRODUCTS.

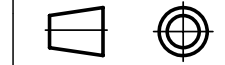


RoHS COMPATIBLE
 (DIGIT 11 & 12)
 HM2H89P1--LF
 STANDOFF HEIGHT INDICATOR



PART NUMBER	L1	L2	
HM2H89P1LF	3.0	13.45	AVAILABLE
HM2H89P109LF	3.9	14.35	AVAILABLE
HM2H89P111LF	4.1	14.55	AVAILABLE
HM2H89P113LF	4.3	14.75	AVAILABLE
HM2H89P115LF	4.5	14.95	AVAILABLE
HM2H89P117LF	4.7	15.15	AVAILABLE
HM2H89P119LF	4.9	15.35	AVAILABLE

1DEC ±0.2 2DEC ±0.1 ANGLES ±1°	APPR.	DATE	SIGN.	MPACS 8+2R SHROUD TYPE F
	DRAFT	1997-05-13	M.Fret	CAT. No. HM2H89P1--LF
	CHECKED			
WE RESERVE THE RIGHT TO CHANGE DIMENSIONS OR REQUIREMENTS WITHOUT PRIOR NOTICE.	PROD. MGR.			 www.fciconnect.com
	PR. ENG. MGR.			
ALL DIMENSIONS IN MM	PR. MGT. MGR.			3/1



REFERENCES

THIS IS OUR EXCLUSIVE PROPERTY. IT IS NOT TO BE COPIED, REPRINTED OR DISCLOSED TO A THIRD PARTY, NOR USED FOR MANUFACTURING WITHOUT OUR WRITTEN CONSENT, AND HAS TO BE RETURNED TO US IN CASE OF NO USAGE
 DIT IS ONZE EIGENDOM EN MAG NIET VERMEERD, HERDRUKT, OVERGEMAKT AAN DERDEN, NOCH VOOR FABRIKATIE GEBRUIKT WORDEN, ZONDER ONZE SCHRIFTELIJKE TOELATING. BIJ NIET GEBRUIK IS TERUGZENDING VERPLICHT.