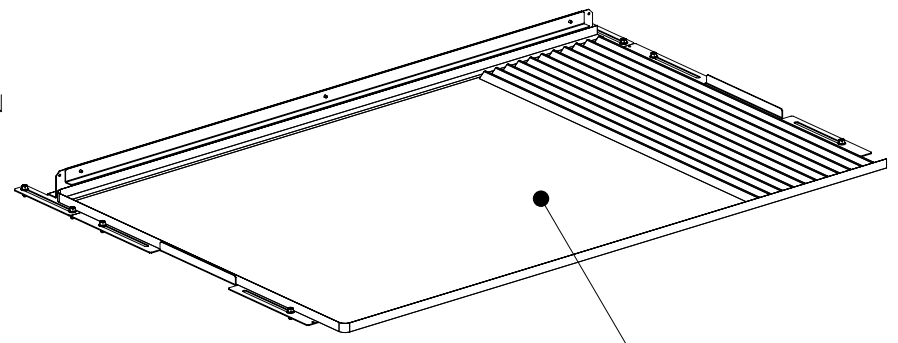
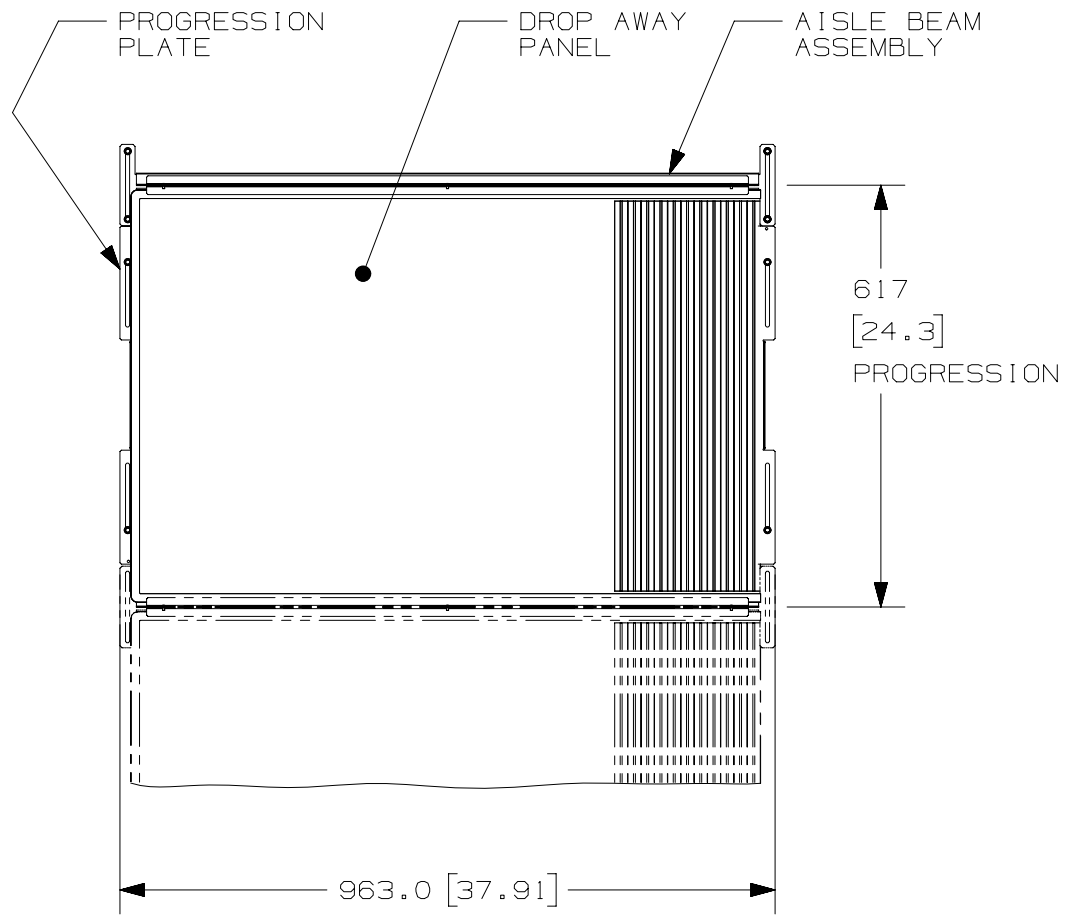


THIS COPY IS PROVIDED ON A RESTRICTED BASIS AND IS NOT TO BE USED IN ANY WAY DETRIMENTAL TO THE INTERESTS OF PANDUIT CORP.

PANDUIT P/N	DESCRIPTION	COLOR	WEIGHT
CUCGF03DPB1	CEILING GRID	BLACK	1.8 Kg/EACH [4.0 LBS/EACH]
CUCGF03DPW1	CEILING GRID	WHITE	1.8 Kg/EACH [4.0 LBS/EACH]

- VISIT OUR ON-LINE CATALOG AT WWW.PANDUIT.COM FOR A LIST OF CURRENT PARTS APPLICABLE FOR USE WITH THIS PRODUCT.
- PARTS SUPPLIED:
 1- DROP AWAY PANEL
 1- AISLE BEAM ASSEMBLY
 2- STOP/PROGRESSION PLATES
 1- HARDWARE KIT
 1- INSTRUCTION SHEET
- PRIMARY DIMENSIONS ARE IN MILLIMETERS.
- DROP AWAY PANELS ARE FM APPROVED CLASS NUMBER 4651
- FOR USE WITH PANDUIT 900mm WIDTH AISLE NET-CONTAIN UNIVERSAL AISLE CONTAINMENT (UAC) SYSTEM.
- ORDER ONE KIT PER 617mm OF POD LENGTH, ROUND UP ALL FRACTIONAL VALUES.
- SEE CUSTOMER DRAWINGS 00047NWB FOR RELATED COMPONENTS.



TITLE		DROP AWAY CEILING GRID - 900mm (CUCGF03DP**) CUSTOMER DRAWING	
ITEM REVISION NAME		00047NWA/00	
DATASET FILE NAME		00047NWA_DC/00A	
MATERIAL:		N/A	
DRAWING NUMBER:		00047NWA-DC	
THIRD ANGLE PROJECTION			
DRAWN BY	DATE	CHK	SCALE
LEE	4-24-18	MSH	NONE
REV	DATE	BY	CHK
00A	4-24-18	LEE	MSH
APR		SJP	
DESCRIPTION		ECN	
RELEASED TO PRODUCTION		V09001QD/01	
SHT 1 OF 1		A	

D10100DA/16