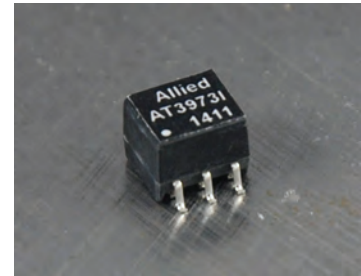




Isolation Transformer

AT39731

- Ethernet based LAN, WAN and other networking applications
- Designed to meet IEEE802.3u Requirements
- Industrial Operating Temperature: -40°C to +85°C
- Maximum Reflow Temperature is 250°C/-5°C, 20~40 sec (Ref to IPC/JEDEC J-STD-020C Standard)



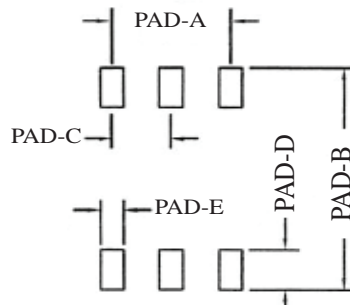
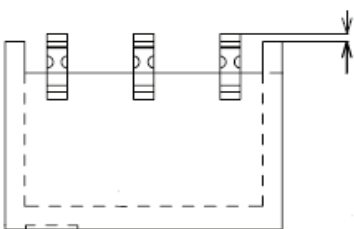
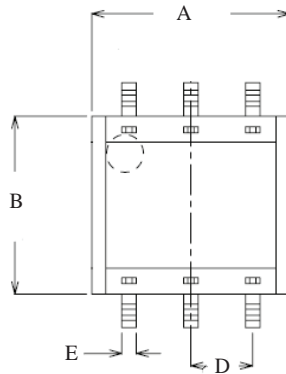
Electrical Specifications @ 25°C

Part Number	Turns Ratio		OCL @100KHz/0.1V with 8mA DC Bias	Insertion Loss 0.1 ~ 100 MHz (dB Max)	Return Loss (MHz min)				DCR (Ω max)	Hi-Pot (Vrms Min)
	TX	RX			0.5-30	40	50	60-80		
AT39731	1:1	1:1	350uH min	1-1	-18dB	-15.5dB	-13.6dB	-12dB	1.0	1500

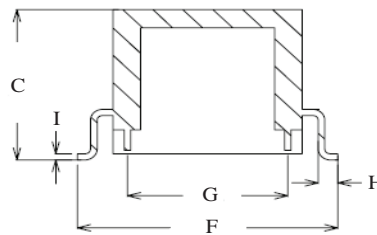
All specifications subject to change without notice.

MECHANICAL

(Dimensions in mm)

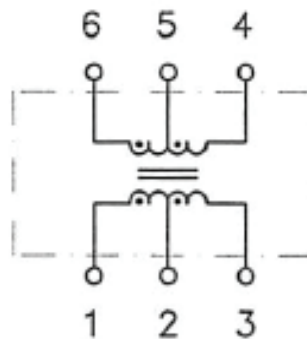


SUGGESTED PCB PAD LAYOUT



SCHEMATICS

.004/0,10
06 SURFACES



Unit : mm/inch

A=8.15/0.321

B=7.20/0.283

C=6.25/0.246

D=2.54/0.100

E=0.60/0.0236

F=9.90/0.400

G=6.1/0.240

H=0.60/0.023

I=0.25/0.010

J=0.25/0.010

PAD-A=5.08/0.200

PAD-B=12.0/0.472

PAD-C=2.54/0.100

PAD-D=1.02/0.040