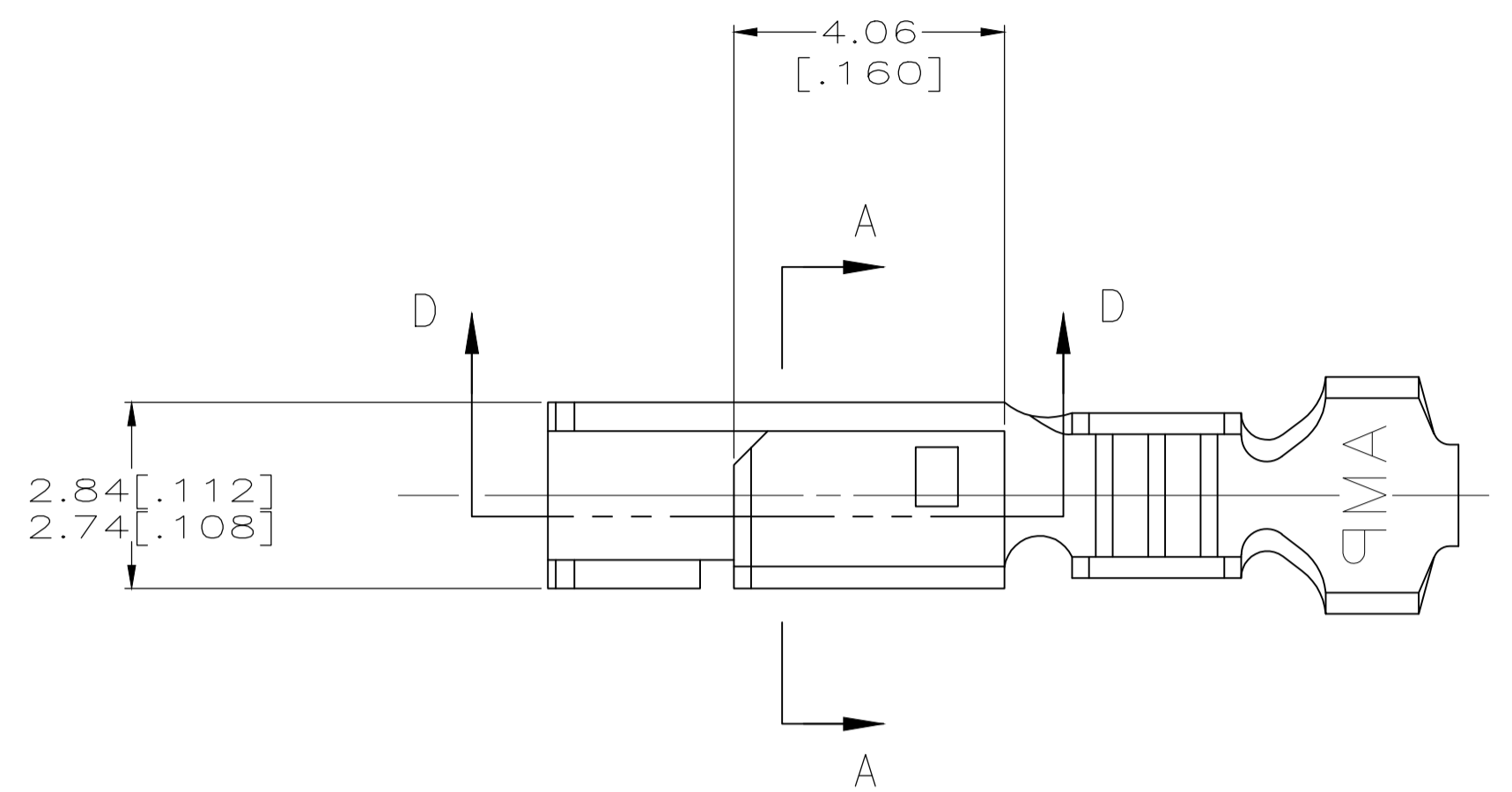
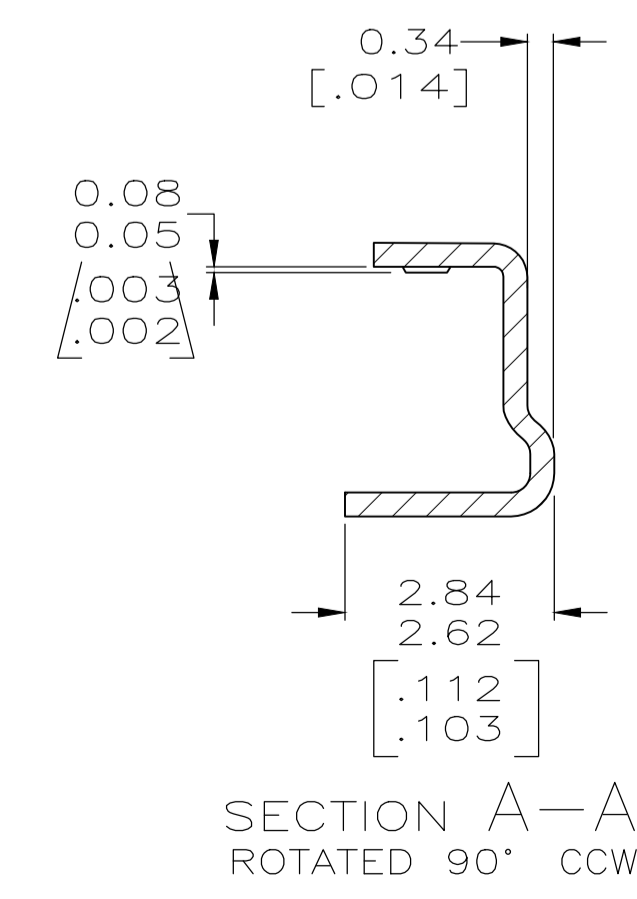
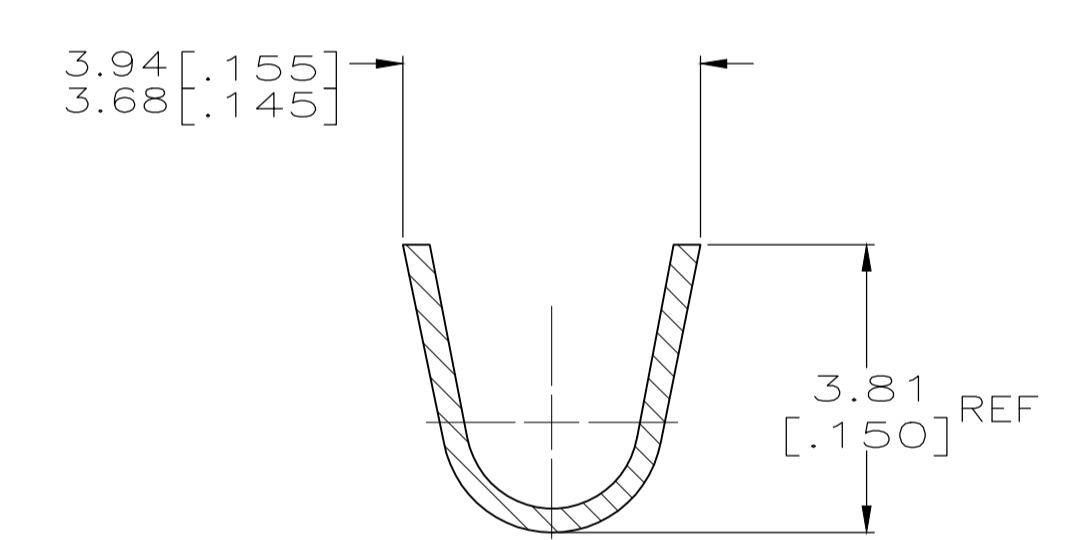
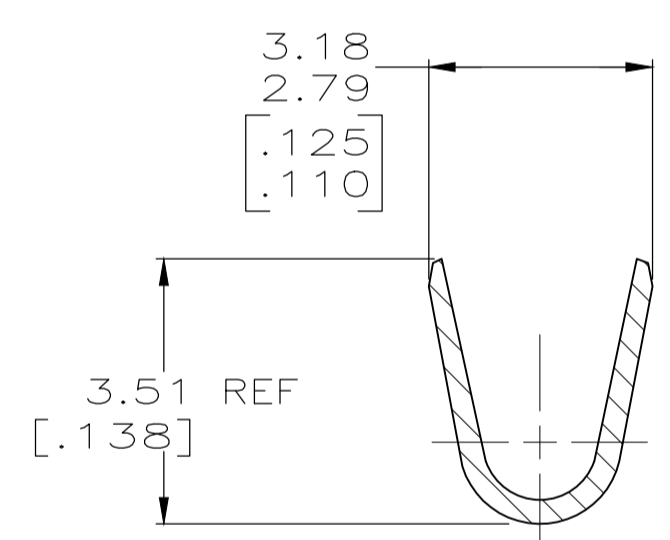
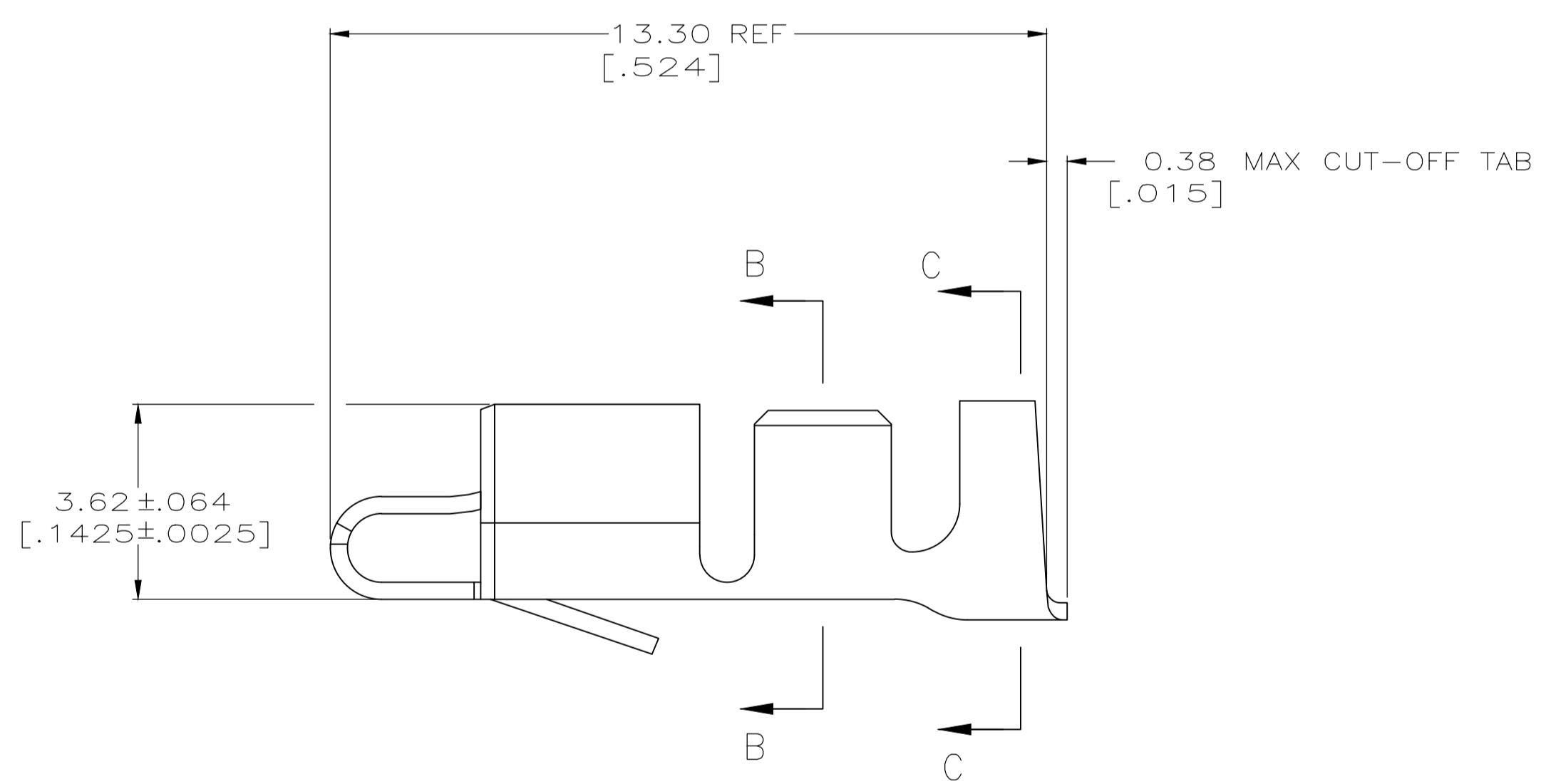
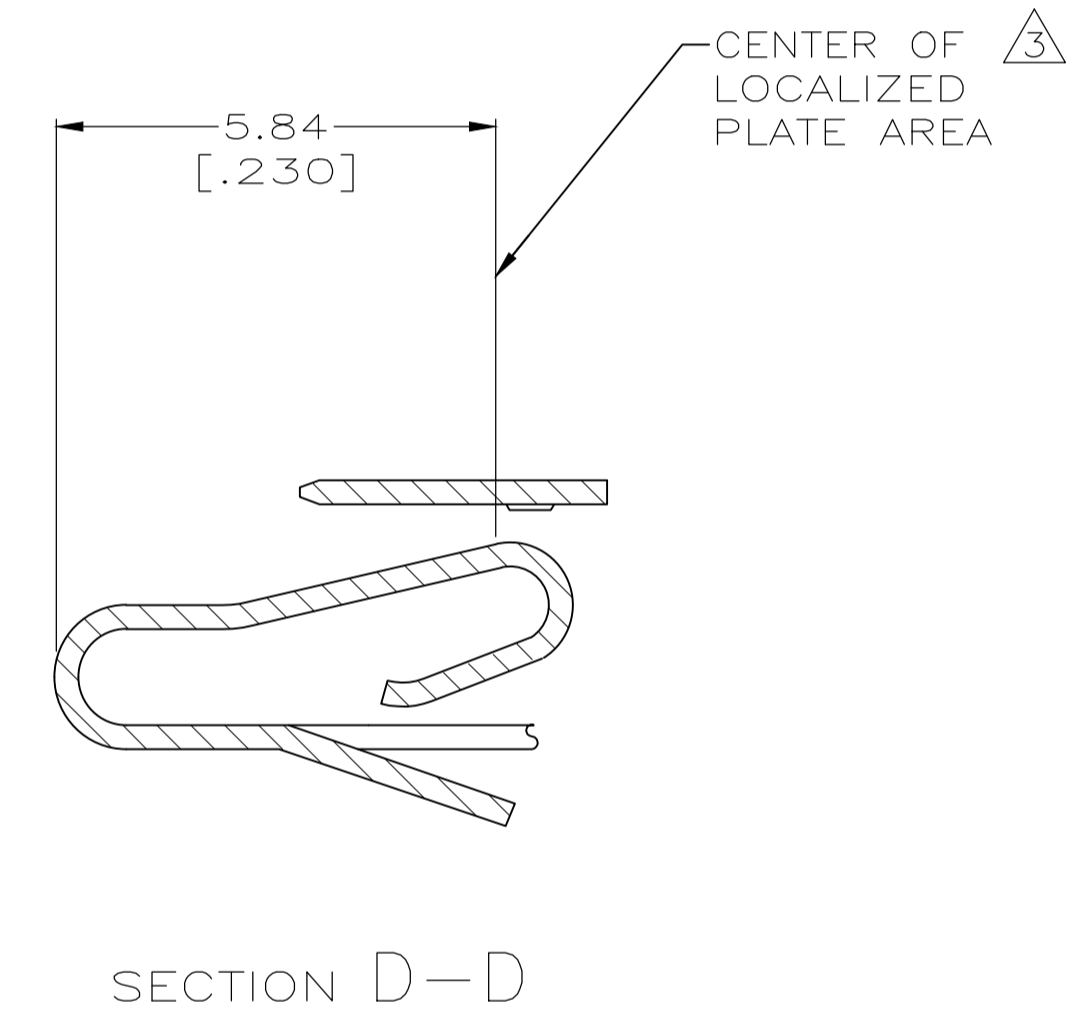


| REVISIONS |     |                           |           |        |
|-----------|-----|---------------------------|-----------|--------|
| P         | LTR | DESCRIPTION               | DATE      | BY     |
| B         |     | REVISED PER ECR-18-019874 | 19MAR2019 | BDA SG |



- INSULATION RANGE: 1.78-2.84 [.070-.112]  
WIRE RANGE: NOT TO EXCEED 2550-2800 CMA (1.29-1.42 mm<sup>2</sup>) (LIMITED 16 AWG RANGE).
- 0.00203 [.000080] MIN MATTE TIN-LEAD OVER  
0.00127 [.000050] MIN NICKEL.
- 0.00076 [.000030] MIN THICK GOLD STRIPES IN LOCALIZED PLATE AREA ON BEAM AND DIMPLE OVER  
0.00127 [.000050] MIN THICK NICKEL OVER ENTIRE CONTACT.
- DIMENSIONS IN BRACKETS ARE IN INCHES.
- FOR USE ONLY WITH LID STYLE HOUSING.
- 0.00203 [.000080] MIN MATTE TIN OVER  
0.00127 [.000050] MIN NICKEL.
- OBSELETE



|        |             |
|--------|-------------|
| △6     | 3-647485-1  |
| △3     | 647485-2    |
| △2     | 647485-1    |
| FINISH | PART NUMBER |

|  |                   |   |                            |                    |
|--|-------------------|---|----------------------------|--------------------|
| THIS DRAWING IS A CONTROLLED DOCUMENT. |                   | DWG: K. WHITAKER 15-JAN-2001                                    | TE Connectivity            |                    |
| DIMENSIONS: mm [INCHES]                |                   | CHK: J. ELLIS 15-JAN-2001                                       | APVD: J. ELLIS 15-JAN-2001 |                    |
| TOLERANCES UNLESS OTHERWISE SPECIFIED: |                   | NAME: SL-156 HOODED RECEPTACLE, LARGE WIRE CONTACT, LOOSE PIECE |                            |                    |
| 0 PLC ± -                              | 1 PLC ± -         | PRODUCT SPEC: 108-1049  |                            |                    |
| 2 PLC ± -                              | 3 PLC ± .005      | APPLICATION SPEC: 114-1021                                      |                            |                    |
| 4 PLC ± -                              | ANGLES ± -        | SIZE: A1  | CAGE CODE: 00779           | DRAWING NO: 647485 |
| MATERIAL: PH BRZ                       | FINISH: SEE TABLE | WEIGHT: 0.000000  | SCALE: 10:1                | SHEET: 1 OF 1      |
| CUSTOMER DRAWING                       |                   | REV: B  |                            |                    |