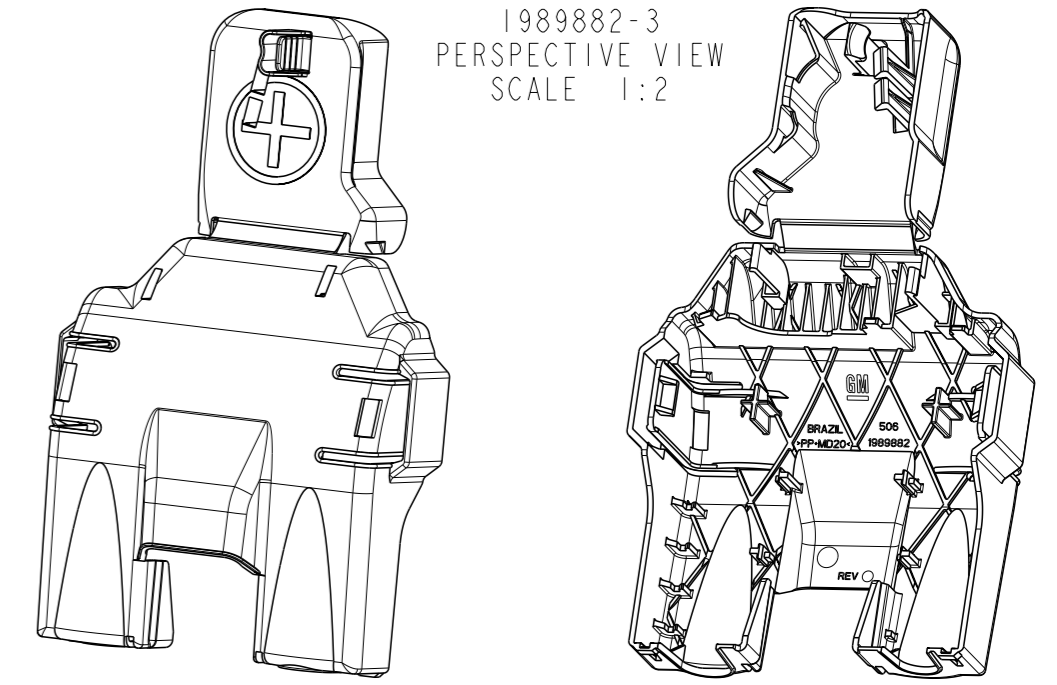
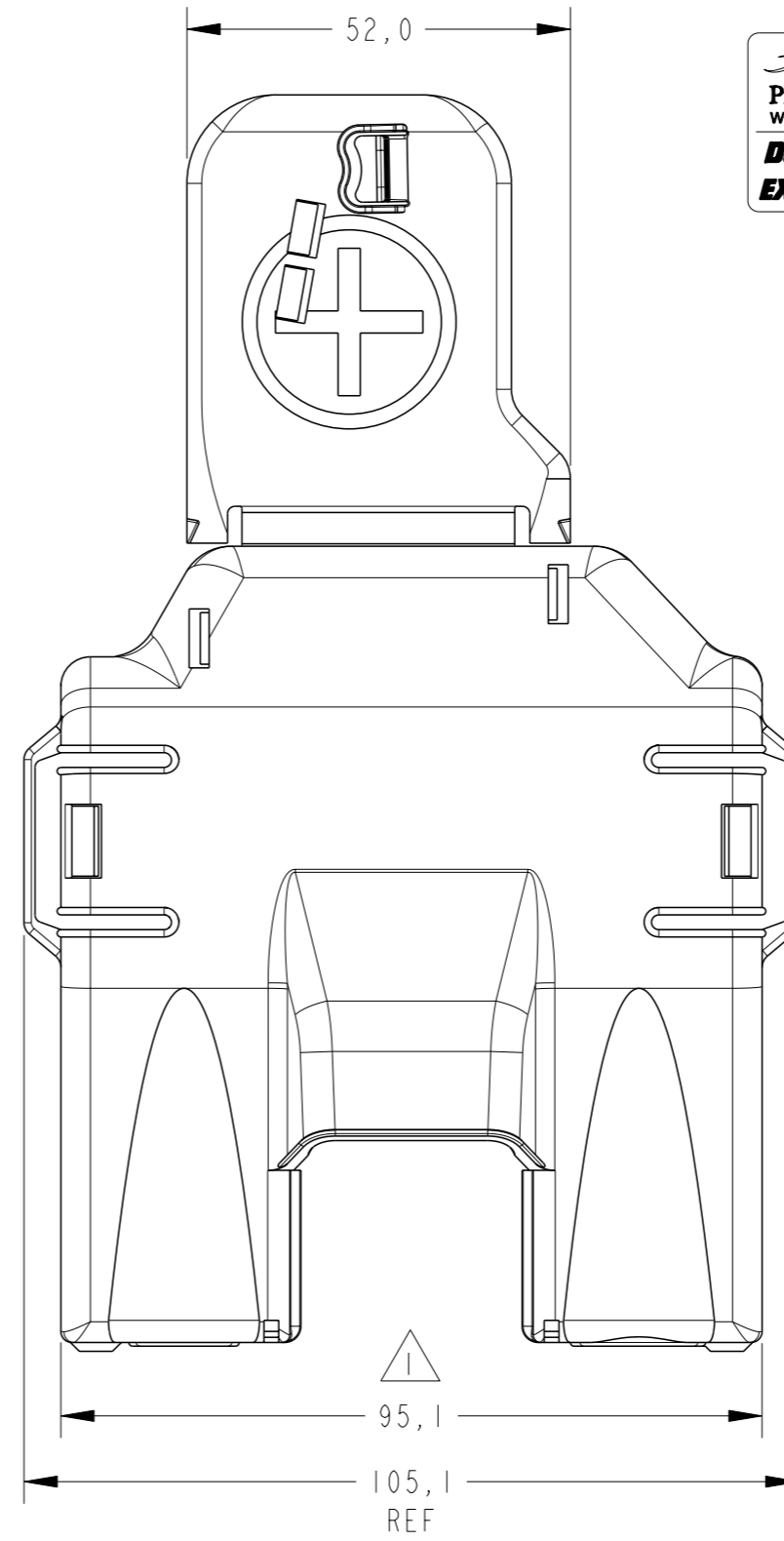
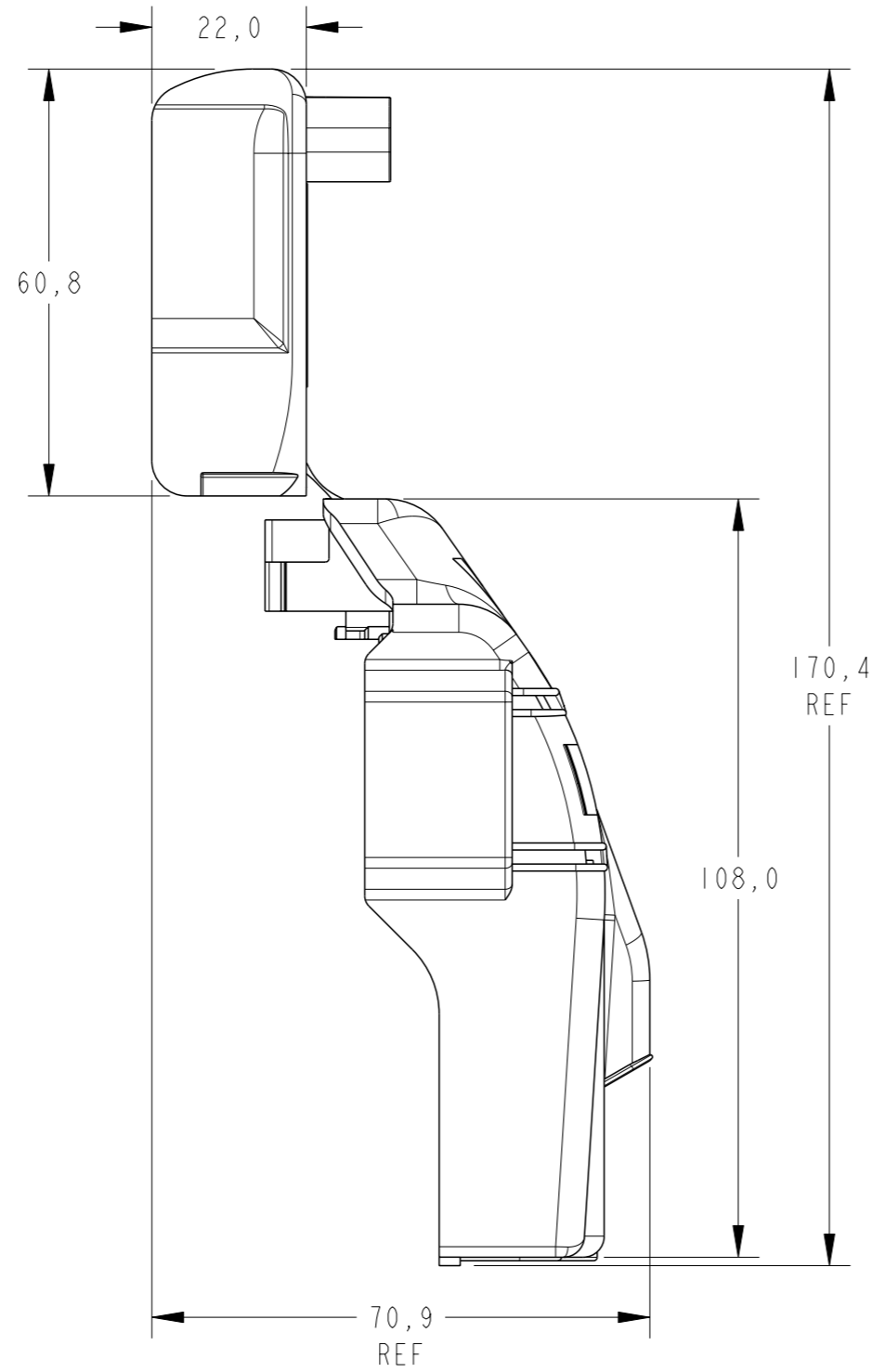
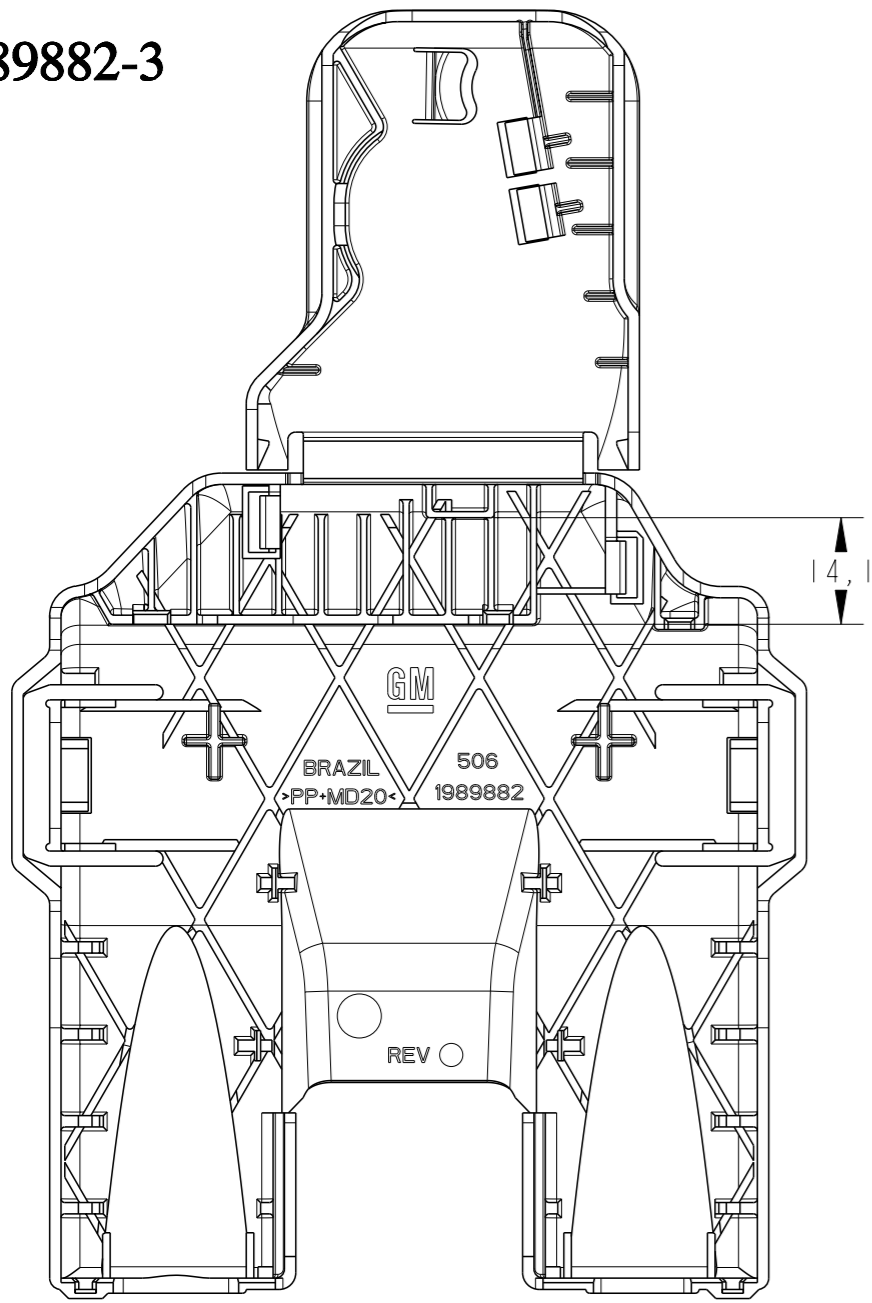


THIS DRAWING IS UNPUBLISHED. RELEASED FOR PUBLICATION 20  
 © COPYRIGHT 20 ALL RIGHTS RESERVED.

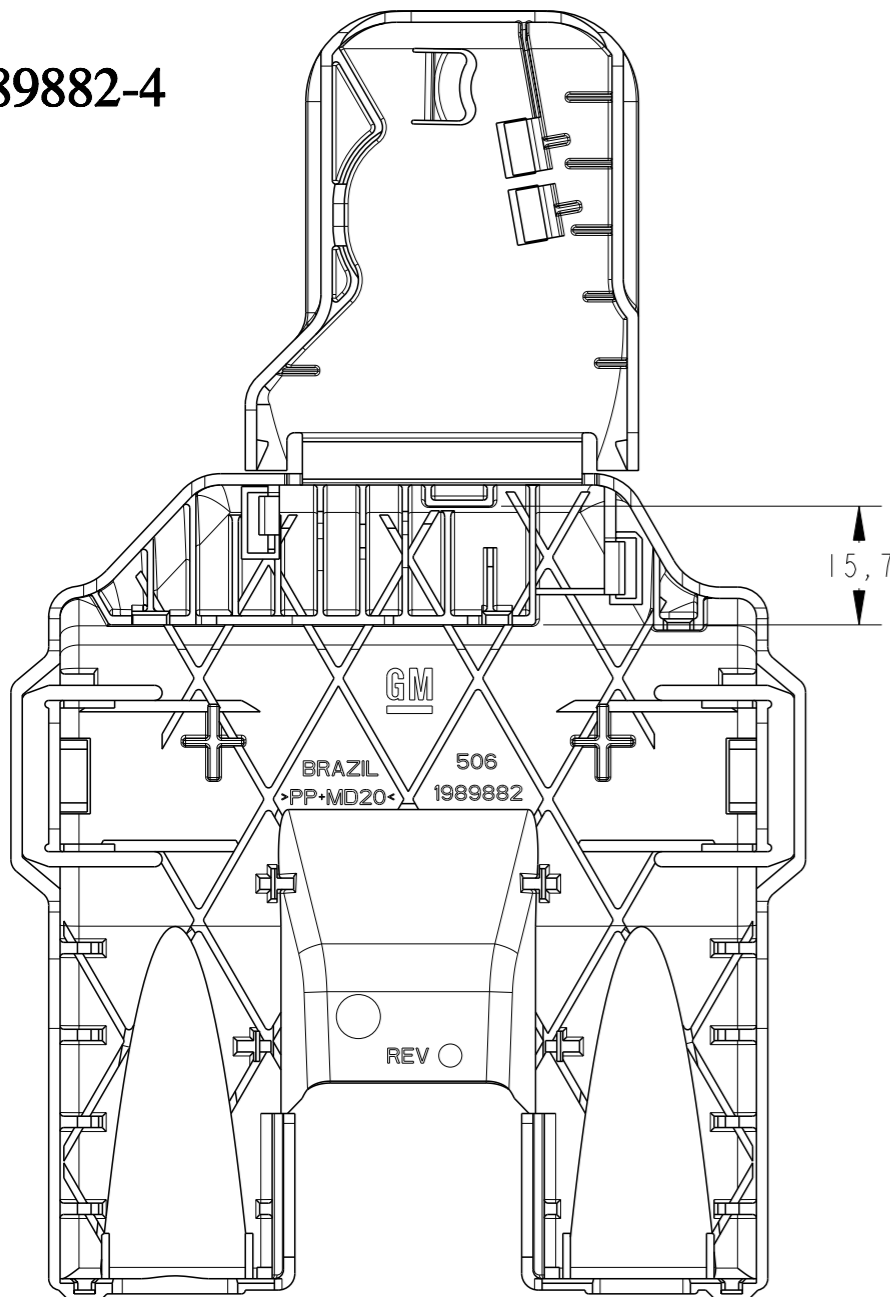
LOC	DIST	REVISIONS					
AP	-	P	LTR	DESCRIPTION	DATE	DWN	APVD
		A		RELEASED BY ECO-11-022322	17NOV2011	MAS	DO
		B		CHANGED BY ECO-12-011151	15JUN2012	PP	GB
		B1		CHANGED BY ECO-12-013772	27JUL2012	PP	MG
		B2		REVISED DESIGN ECO-12-018871	05NOV2012	NCL	NMS

**ProENGINEER**  
**WILDFIRE 4.0**  
**DO NOT REVISE**  
**EXCEPT BY CAD**

1989882-3

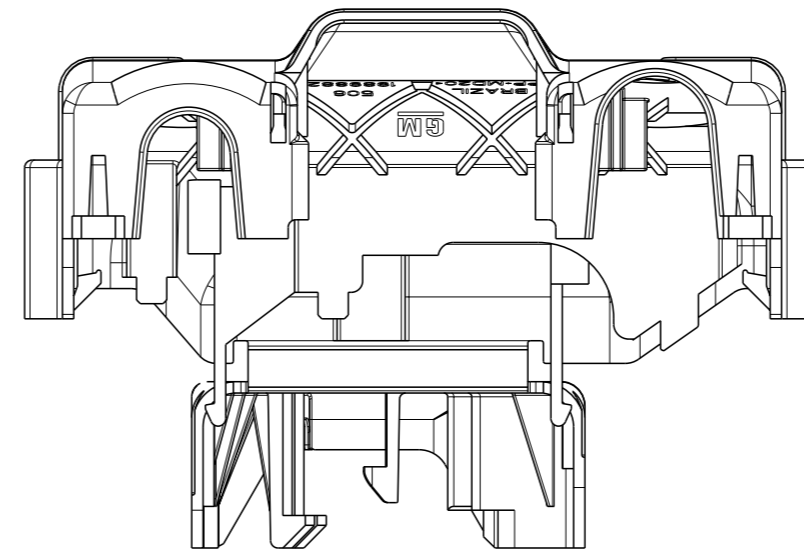
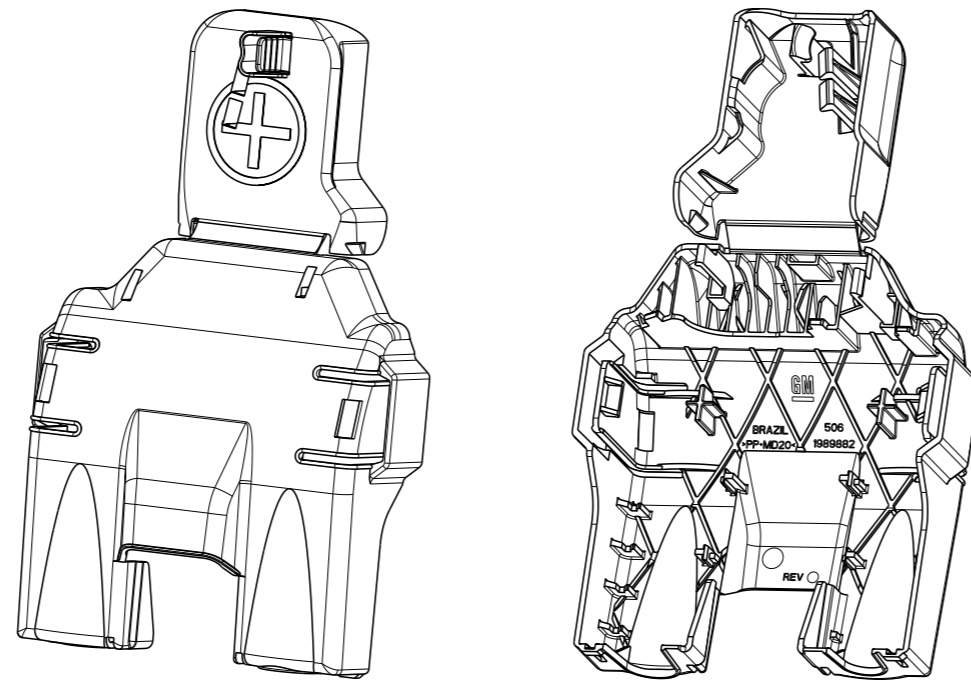


1989882-4



15,7

1989882-4  
 PERSPECTIVE VIEW  
 SCALE 1:2



GRAVAÇÕES	MARKINGS
CÓDIGO PAÍS PRODUTOR	MANUFACTURER COUNTRY CODE
NOMENCLATURA MATERIAL	MATERIAL NOMENCLATURE
NÚMERO COMPONENTE TE	TE COMPONENT NUMBER
LOGOTIPO CLIENTE	CUSTOMER LOGO
NÚMERO CAVIDADE	CAVITY NUMBER
PAÍS PRODUTOR	MANUFACTURER COUNTRY
REV+ LETRA REV.DA PEÇA	REV.+ PART REV.LETTER

△ -DEFORMAÇÃO PERMITIDA: 94,0mm MIN.  
 DEFORMATION PERMITTED: 94,0mm MIN.

**OBSELETE**  
**OBSELETE**

FINISH	MATERIAL	PART NUMBER
VERMELHO/RED	PP+20%MD	1989882-4
VERMELHO/RED	PP+20%MD	1989882-3
VERMELHO/RED	PP+20%MD	1989882-2
VERMELHO/RED	PP+20%MD	1989882-1

THIS DRAWING IS A CONTROLLED DOCUMENT.		DWN	12AUG2009	TE Connectivity <b>COVER MAXI FUSE-4 WAYS</b>			
DIMENSIONS:		CHK	19AUG2009				
mm		APVD	19AUG2009				
TOLERANCES UNLESS OTHERWISE SPECIFIED:		PRODUCT SPEC	-				
0 PLC	±	APPLICATION SPEC	-	SIZE	CAGE CODE	DRAWING NO	RESTRICTED TO
1 PLC	±0,5	WEIGHT	-	A2	00779	C-1989882	-
2 PLC	±	CUSTOMER DRAWING	-	SCALE	1:1	SHEET	OF
3 PLC	±						
4 PLC	±						
ANGLES	±						
FINISH							REV B2