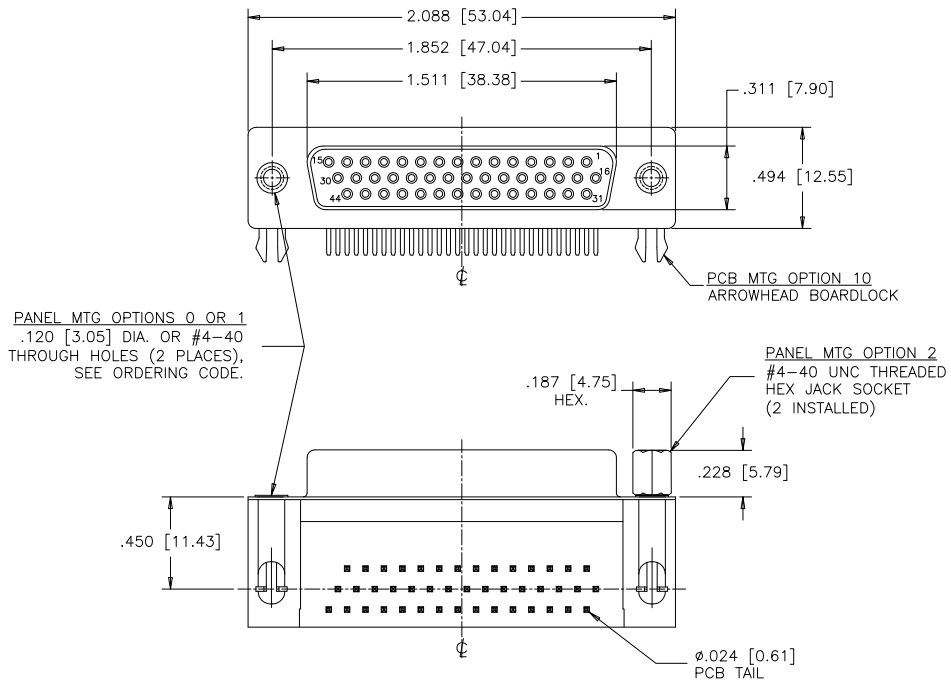
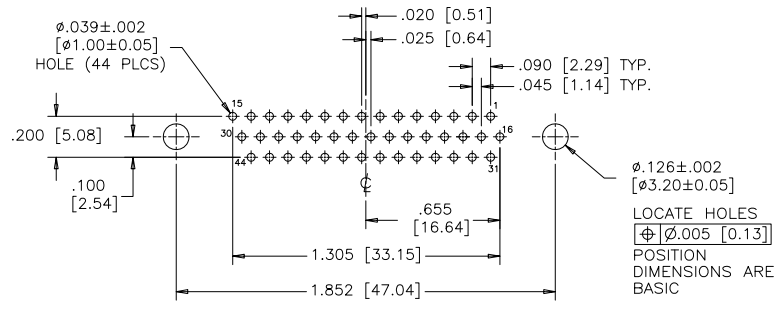
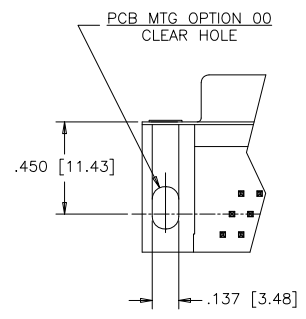
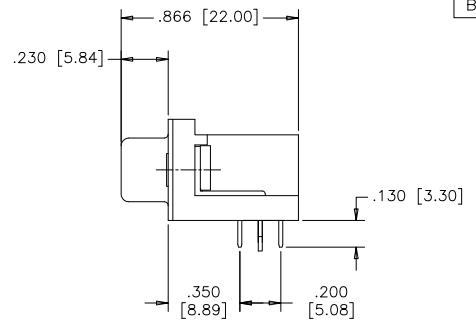


REVISIONS			
REV	ECN, ERN NO.	DATE	APPRD.
B	PRODUCT DRAWING (EAR 14658)	MAY4/18	K.L.



PANEL MTG OPTIONS 0 OR 1  
 .120 [3.05] DIA. OR #4-40  
 THROUGH HOLES (2 PLACES).  
 SEE ORDERING CODE.

PANEL MTG OPTION 2  
 #4-40 UNC THREADED  
 HEX JACK SOCKET  
 (2 INSTALLED)



RECOMMENDED P.C.B. LAYOUT  
 (COMPONENT SIDE OF BOARD)

LOCATE HOLES  
 [Ø] Ø.005 [0.13]  
 POSITION  
 DIMENSIONS ARE  
 BASIC

ORDERING CODE:

PART NUMBER: 1 7 E B H - 0 4 4 S A M - 2 1 0

SERIES \_\_\_\_\_  
 NUMBER OF CONTACTS \_\_\_\_\_  
 044  
 STYLE \_\_\_\_\_  
 S= SOCKET  
 CONTACT PLATING OPTIONS  
 FOR ENGAGEMENT AREA  
 AA= 3µ" [0.08 MICRONS] GOLD FLASH  
 CH= 15µ" [0.38 MICRONS] GOLD  
 AM= 30µ" [0.76 MICRONS] GOLD

PCB MOUNTING OPTIONS  
 00= CLEAR HOLE  
 10= ARROWHEAD BOARDLOCK  
 PANEL MOUNTING OPTIONS  
 0= .120 [3.05] CLEAR HOLE  
 1= #4-40 THREADED HOLE  
 2= #4-40 UNC THREADED  
 HEX JACK SOCKETS

SPECIFICATIONS:

MATERIALS: ALL MATERIALS ARE RoHS COMPLIANT.  
 SHELLS: STEEL, NICKEL PLATED.  
 INSERTS: HIGH TEMPERATURE RESISTANT NYLON, GLASS REINFORCED, UL FLAMMABILITY RATING 94V-0, COLOUR: BLACK.  
 CONTACTS: COPPER ALLOY, GOLD PLATING (SEE ORDERING CODE) OVER 50µ" [1.27 MICRONS] NICKEL ON ENGAGEMENT AREA WITH 100µ" [2.54 MICRONS] MIN. MATTE TIN ON CONTACT TERMINALS.  
 BOARDLOCK: COPPER ALLOY, TIN PLATED.

ELECTRICAL DATA:

CURRENT RATING: 3 AMP  
 CONTACT RESISTANCE: 15 MILLIOHMS MAX.  
 INSULATION RESISTANCE: 5000 MEGOHMS MIN.  
 DIELECTRIC WITHSTANDING VOLTAGE: 1000 VAC rms  
 OPERATING TEMPERATURE: -55°C TO +105°C

DRAWN	J.LEE	DATE	DEC12/06
DESIGNED			
CHECKED	K.LAMBIE	DATE	DEC12/06
I. E. APPRD.			
Q. A. APPRD.			
DWG. APPRD.			
ENG. REL. NO.			
REF.	EAR 12992		
DIMENSIONS ARE IN	CODE ID. NO.		
INCHES [mm]	03554		

Amphenol Canada Corp.  
 TITLE: 17EBH SERIES HIGH DENSITY D-SUB CONNECTOR, 44 SIZE SOCKET, RIGHT ANGLE PCB CONTACTS, PLATING & MOUNTING OPTIONS, RoHS COMPLIANT

DWG	DRAWING NO.	REV.
C	P-17EBH-044SXX-XX0	B
SCALE	2/1	SHEET 1 OF 1

THIS DOCUMENT CONTAINS PROPRIETARY INFORMATION AND SUCH INFORMATION MAY NOT BE DISCLOSED TO OTHERS FOR ANY PURPOSE OR USED FOR MANUFACTURING PURPOSES WITHOUT WRITTEN PERMISSION FROM AMPHENOL CANADA CORP.