

THIS DRAWING IS UNPUBLISHED.

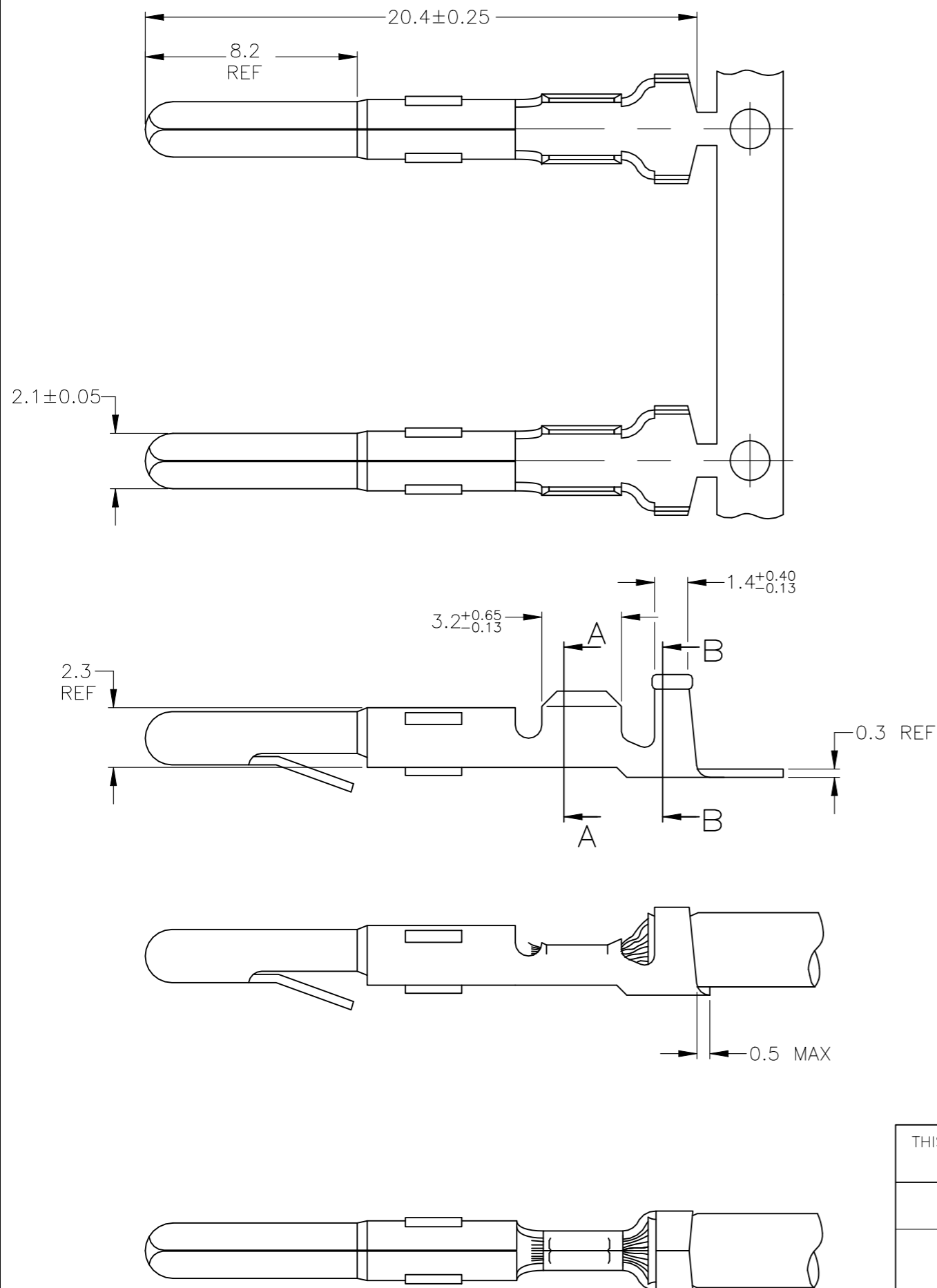
RELEASED FOR PUBLICATION

ALL RIGHTS RESERVED.

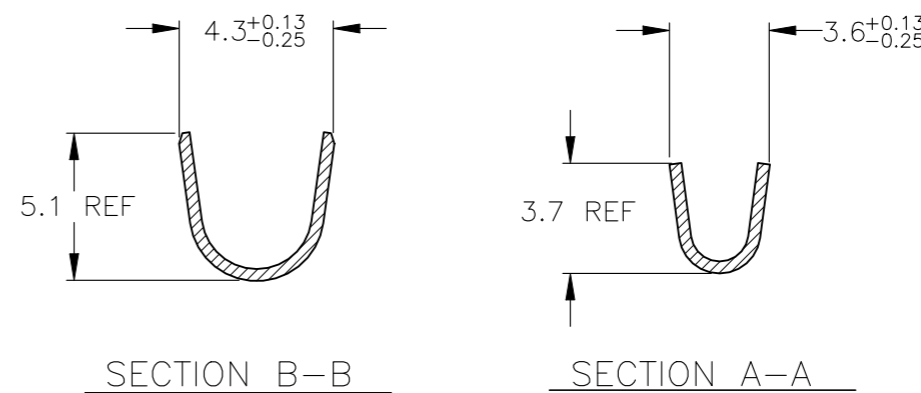
© COPYRIGHT - By -

REVISIONS

P	LTR	DESCRIPTION	DATE	DWN	APVD
	F3	REVISED PER ECR-18-008156	21JUN2018	JB	DZ



△1 FOR USE ON STANDARD APPLICATORS.(RIGHT-LEFT FEED)  
 △2 FOR USE ON MINIATURE APPLICATORS.(LEFT-RIGHT FEED)



WIRE RANGE :  
1.0-2.5mm<sup>2</sup> AWG  
 INSULATION RANGE  
2.6-3.8mm DIA

	△2	GOLD	BRASS	1-163303-0
	△1	GOLD	PHOSPHOR BR.	163303-9
	△2	PRE-TINPLATED	PHOSPHOR BR.	163303-8
OBSOLETE	△2	UNPLATED	PHOSPHOR BR.	163303-7
	△2	PRE-TINPLATED	BRASS	163303-6
OBSOLETE	△2	UNPLATED	BRASS	163303-5
	△1	PRE-TINPLATED	PHOSPHOR BR.	163303-4
	△1	UNPLATED	PHOSPHOR BR.	163303-3
OBSOLETE	△1	PRE-TINPLATED	BRASS	163303-2
	△1	UNPLATED	BRASS	163303-1
		PLATING	PLATING	MATERIAL
				PART NUMBER

THIS DRAWING IS A CONTROLLED DOCUMENT.

DWN J.v.LIEMPT 24 OCT 96  
 CHK A.BIJNEN.  
 APVD M.v.DRIEL  
 PRODUCT SPEC  
 APPLICATION SPEC

**STE** TE Connectivity

PIN MATE-N-LOK.

SIZE	CAGE CODE	DRAWING NO	RESTRICTED TO
A3	00779	C-163303	-

WEIGHT 0.000000

CUSTOMER DRAWING SCALE - SHEET 1 OF 1 REV F3