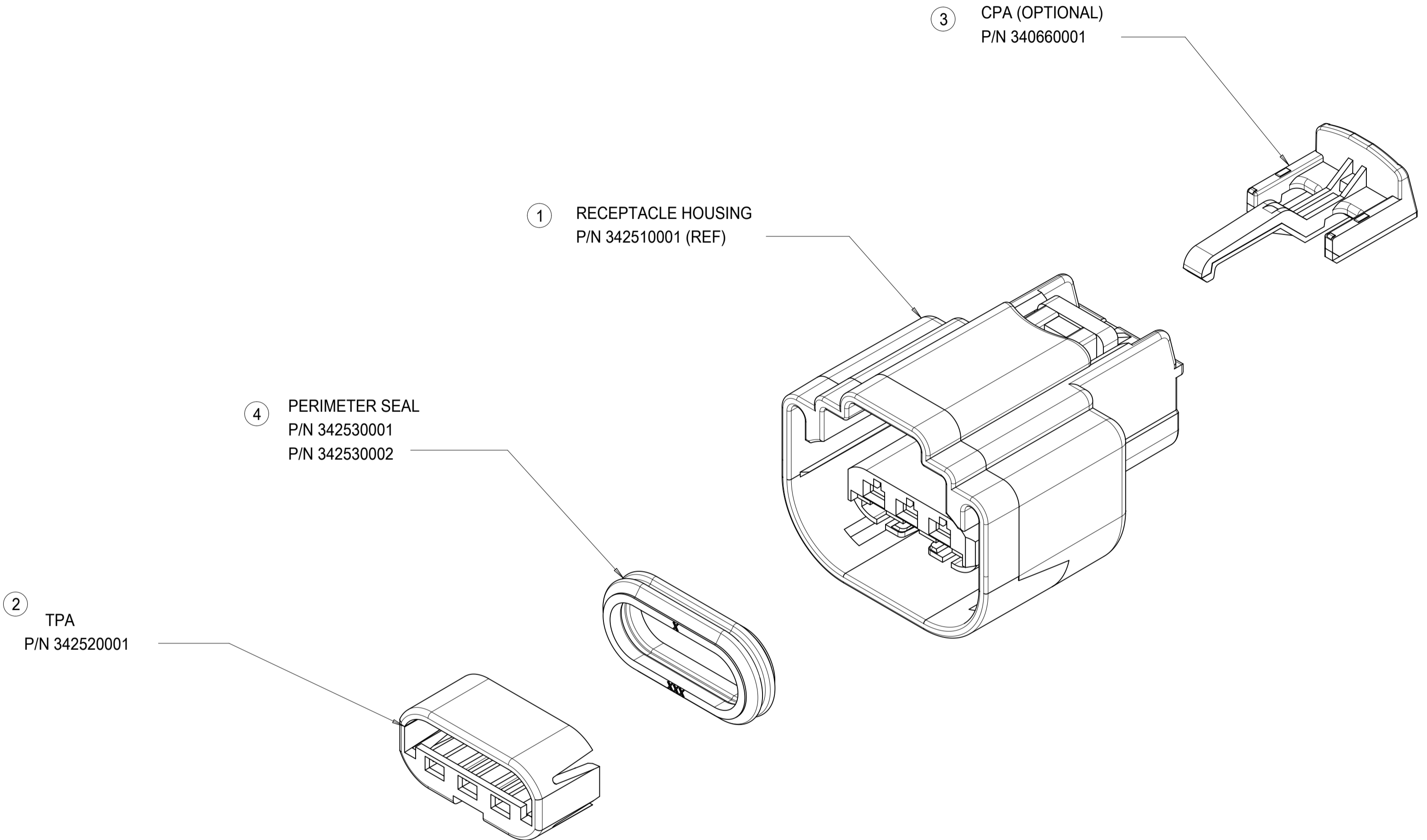


TABLE OF CONTENTS	
SHEET NO.	SHEET DESCRIPTION
1	NOTES
2	DUAL KEY CONFIGURATION
3	SINGLE KEY CONFIGURATION
4	VIEWS
5	BOM
6	TERMINAL AND CABLE SEAL

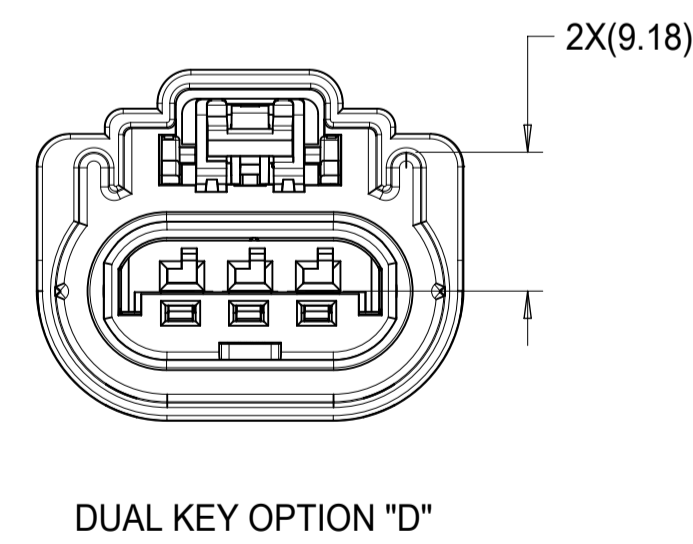
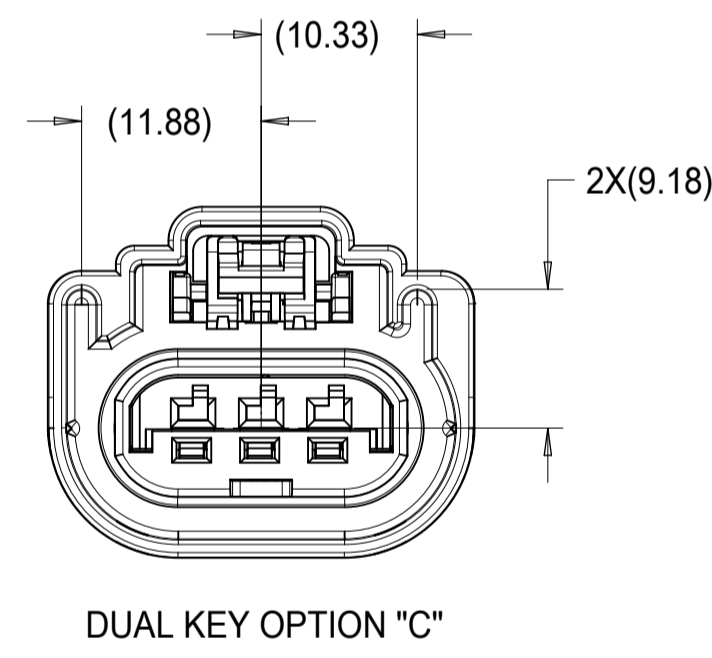
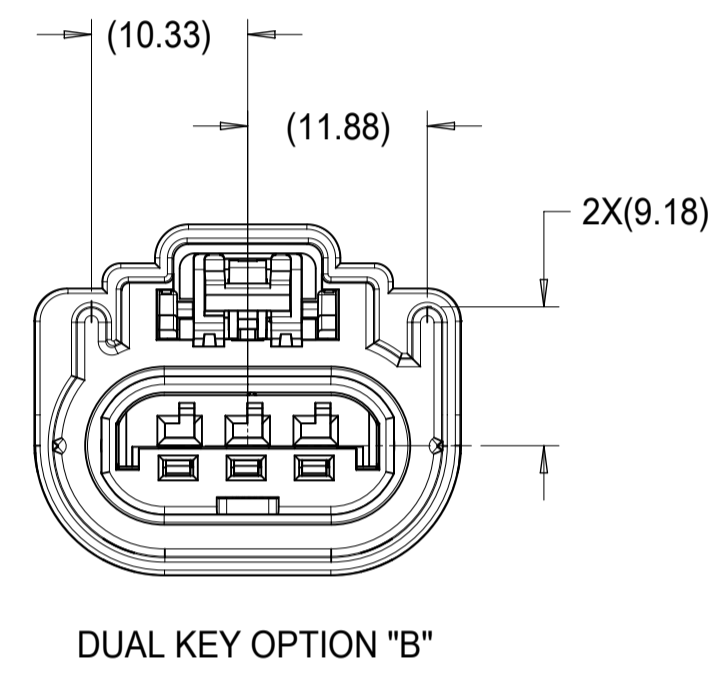
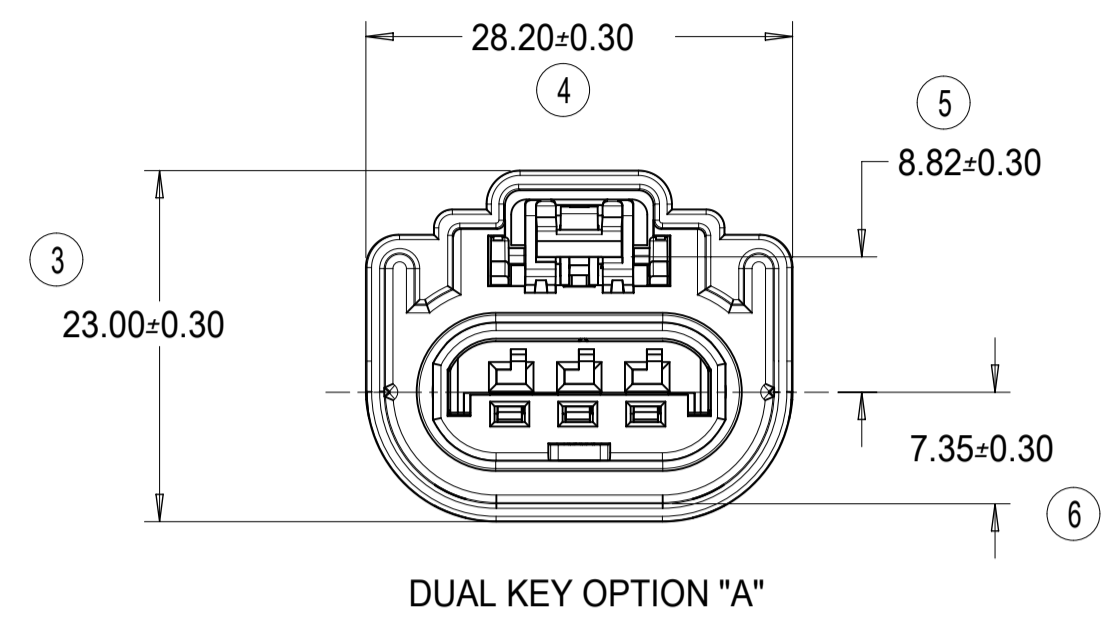


NOTES: VALID UNLESS OTHERWISE SPECIFIED

1. GENERAL:
- a. APPLICATION SPECIFICATION SEE: 1600730001-AS
    - CONTAINS: PRODUCT INTRODUCTION, PRODUCT SUMMARY, CONNECTOR ASSEMBLY, PACKAGING INFORMATION, CONNECTOR MATING, SERVICE INSTRUCTIONS, ELECTRICAL CONTINUITY CHECKING, CRIMPING, AND TROUBLESHOOTING.
    - DESIGNED TO MATE WITH DEVICE OR CONNECTOR AS SPECIFIED IN THE MATING INTERFACE/CONNECTOR DRAWINGS CHART.
    - \*DENOTES DRAWINGS THAT CAN BE ACCESSED AT <http://ewcap.uscarteams.org/>.
    - ASSEMBLY SHIPPED WITH PLR IN PRE-LOCK POSITION (SEE PLR PRE-LOCK VIEW SHEET 4).
  - b. PRODUCT SPECIFICATION SEE: 1600730001-PS
  - c. PACKAGING SPECIFICATION PER MOLEX DRAWING: SEE PK-31300-068
  - d. PARTS MUST BE IN COMPLIANCE TO MOLEX CHEMICAL SUBSTANCES FOR PRODUCTS AND PACKAGING SPECIFICATION: QEHS-699000-301
  - e. DATA MUST BE SUBMITTED UNDER THE MOLEX PART NUMBER TO IMDS (COMPANY ID#13255)
2. DESIGN - MATERIALS:
- a. FOR BILL OF MATERIALS SEE: BOM IN SHEET 5
3. DESIGN - GEOMETRY:
- a. THE 3-D CAD DATA IS BASIC (WITHOUT TOLERANCE) AND MASTER FOR THIS PART WITH THE EXCEPTION OF UNDERLINED DIMENSIONS. DIMENSIONAL INFORMATION NOT SHOWN ON THIS DRAWING IS DEFINED BY THE DATA FILE AT ITS LATEST REVISION.
  - b. GEOMETRIC DIMENSIONS AND TOLERANCES PER ASME Y14.5M-2009
  - c. EDGES AND UNDIMENSIONED DETAILS PER ISO13715
  - d. CORNERS SHOWN AS SHARP TO BE R 0.2 MAX.
  - e. LETTERING SHALL BE 0.15 MAX RAISED IN 0.25 MAX RECESS PAD. THIS INCLUDES RECYCLING CODE, CAVITY ID, VENDOR IDENTIFICATION, AND CUSTOMER MATERIAL NUMBER.
  - f. VISUAL DEFECTS SHALL MEET COSMETIC STANDARD PS-45499-002 (Class B).
  - g. LASER MARKING:
    - 1. PART NUMBER
    - 2. DAY OF THE YEAR
    - 3. SHIFT
    - 4. YEAR
- FOR ADDITIONAL INFORMATION SEE SECTION 5 UNDER PROCEDURES IN ES-34735-008.

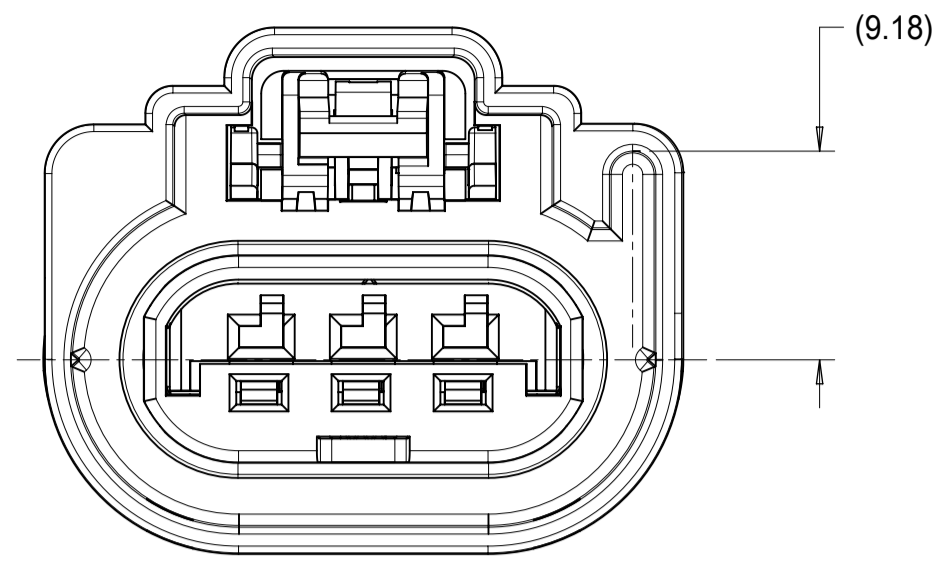
SYMBOLS	THIS DRAWING CONTAINS INFORMATION THAT IS PROPRIETARY TO MOLEX ELECTRONIC TECHNOLOGIES, LLC AND SHOULD NOT BE USED WITHOUT WRITTEN PERMISSION		CURRENT REV DESC:					
	DIMENSION UNITS	SCALE						RECEPTACLE ASSEMBLY 3-WAY USCAR CONNECTOR 1.5MM CABLE SEAL
▽ = 0	mm	2:1	EC NO: 171123		DOCUMENT NUMBER	DOC TYPE	DOC PART	REVISION
▽ = 0	GENERAL TOLERANCES (UNLESS SPECIFIED)		DRWN: PXU25 2017/12/26		SD-160073-001	PSD	001	R
▽ = 0	ANGULAR TOL ± 3.0°		CHK'D: KBORUSZEWSKI 2018/01/26		PRODUCT CUSTOMER DRAWING			
▽ = 0	4 PLACES ±		APPR: MVANSLAMBROU 2018/02/02		INITIAL REVISION:			
▽ = 0	3 PLACES ±		DRWN: CYMA 2016/07/20		MATERIAL NUMBER			
▽ = 0	2 PLACES ± 0.1		APPR: KDEKOSKI 2017/02/08		CUSTOMER			
▽ = 0	1 PLACE ± 0.3		DRAFT WHERE APPLICABLE MUST REMAIN WITHIN DIMENSIONS		GENERAL MARKET			
▽ = 0	0 PLACES ±		THIRD ANGLE PROJECTION		SHEET NUMBER			
▽ = 0	DRAFT WHERE APPLICABLE MUST REMAIN WITHIN DIMENSIONS		DRAWING		1 OF 6			
▽ = 0	DRAFT WHERE APPLICABLE MUST REMAIN WITHIN DIMENSIONS		SERIES		160073			

# DUAL KEY CONFIGURATION

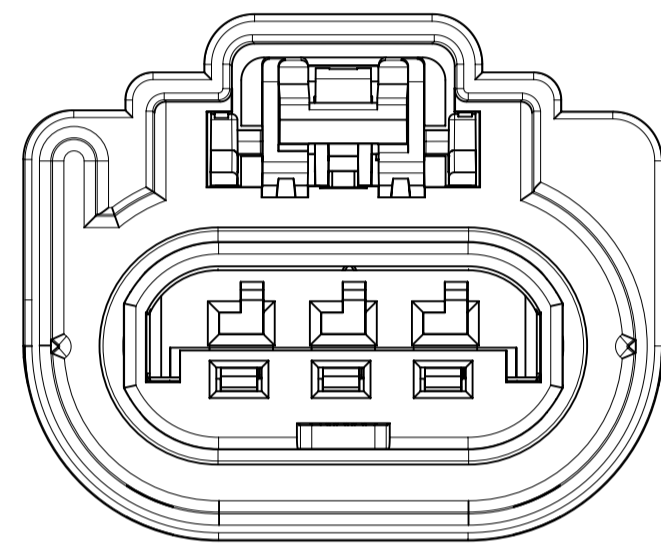


SYMBOLS	THIS DRAWING CONTAINS INFORMATION THAT IS PROPRIETARY TO MOLEX ELECTRONIC TECHNOLOGIES, LLC AND SHOULD NOT BE USED WITHOUT WRITTEN PERMISSION		CURRENT REV DESC:				
	DIMENSION UNITS	SCALE					
= 0	mm	3:1			RECEPTACLE ASSEMBLY		
= 0	GENERAL TOLERANCES (UNLESS SPECIFIED)				3-WAY USCAR CONNECTOR 1.5MM CABLE SEAL		
= 0	ANGULAR TOL ± 3.0°		EC NO: 171123		PRODUCT CUSTOMER DRAWING		
= 0	4 PLACES	±	DRWN: PXU25 2017/12/26		DOCUMENT NUMBER		
= 0	3 PLACES	±	CHK'D: KBORUSZEWSKI 2018/01/26		SD-160073-001		
= 0	2 PLACES	± 0.1	APPR: MVANSLAMBROU 2018/02/02		DOC TYPE   DOC PART   REVISION		
= 0	1 PLACE	± 0.3	INITIAL REVISION:		PSD   001   R		
= 0	0 PLACES	±	DRWN: CYMA 2016/07/20		MATERIAL NUMBER		
= 0	DRAFT WHERE APPLICABLE MUST REMAIN WITHIN DIMENSIONS		APPR: KDEKOSKI 2017/02/08		CUSTOMER		
= 0	THIRD ANGLE PROJECTION		DRAWING		SHEET NUMBER		
			A1-SIZE		GENERAL MARKET		
			SERIES		2 OF 6		
			160073				

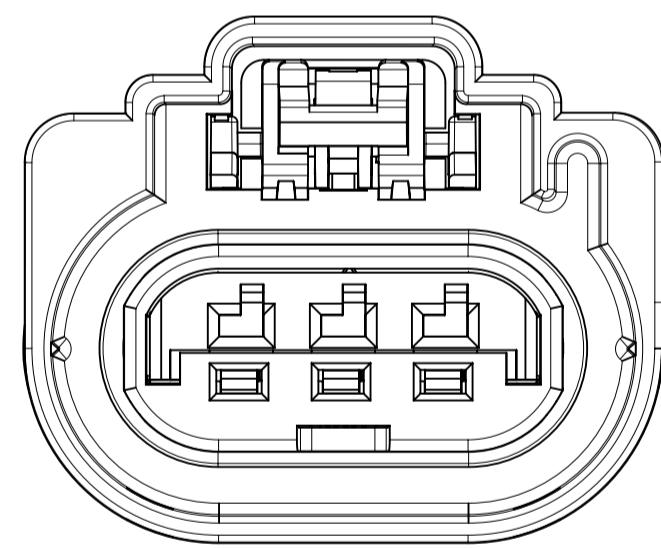
SINGLE KEY CONFIGURATION



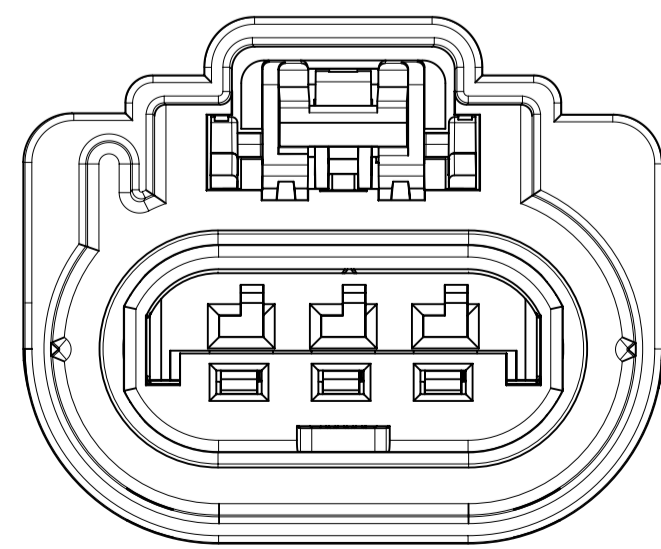
SINGLE KEY OPTION "A"



SINGLE KEY OPTION "B"



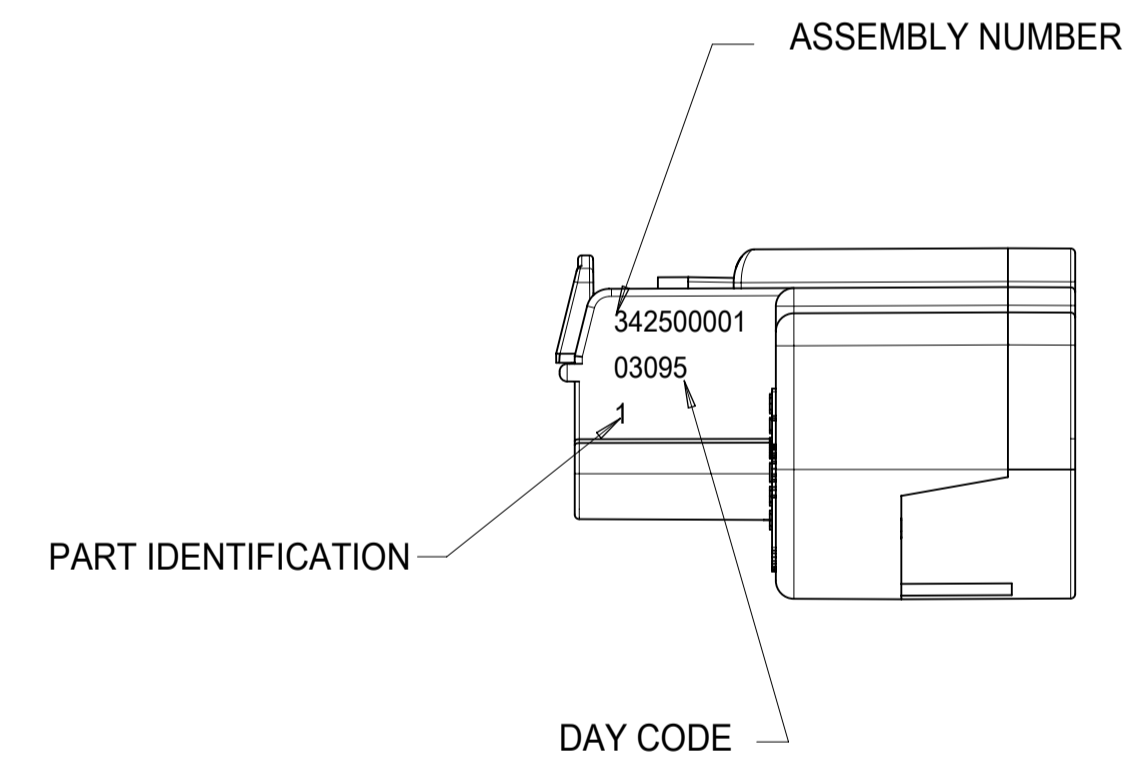
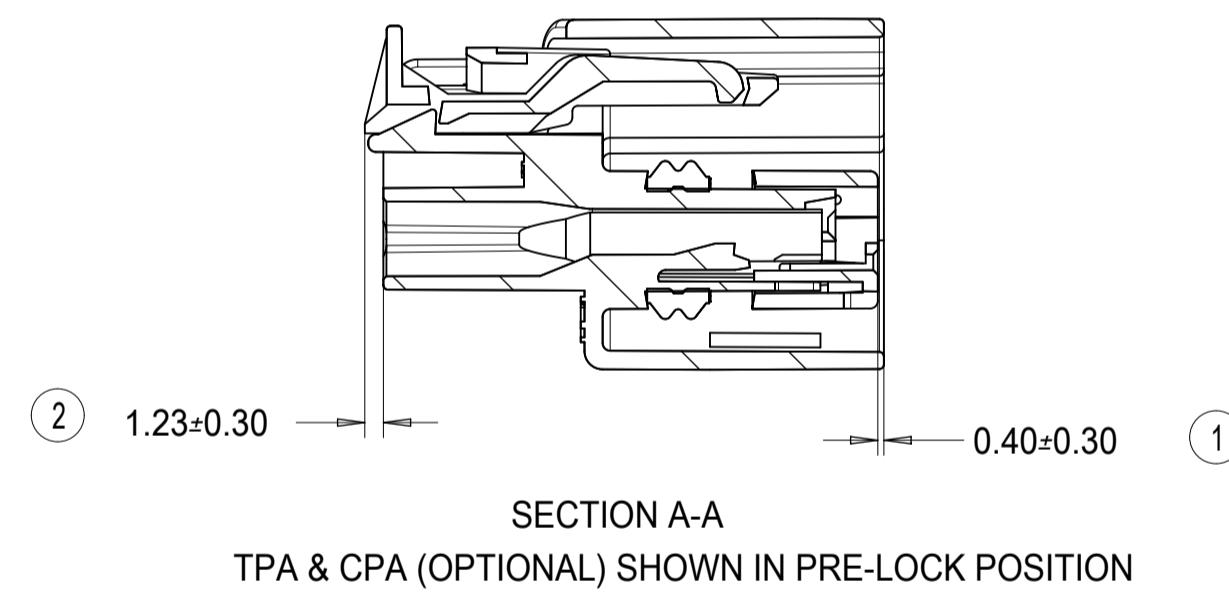
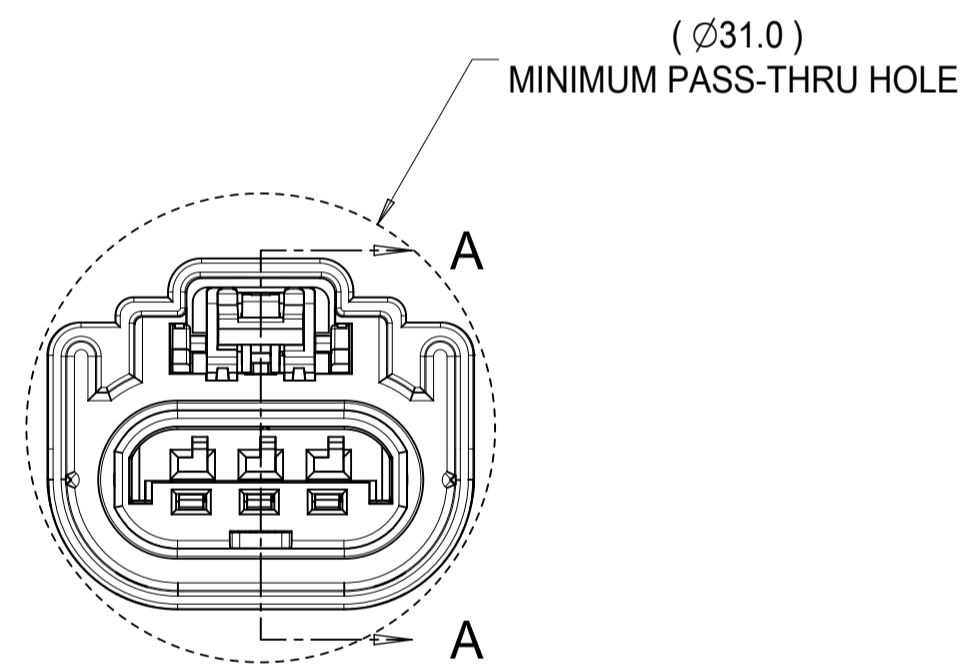
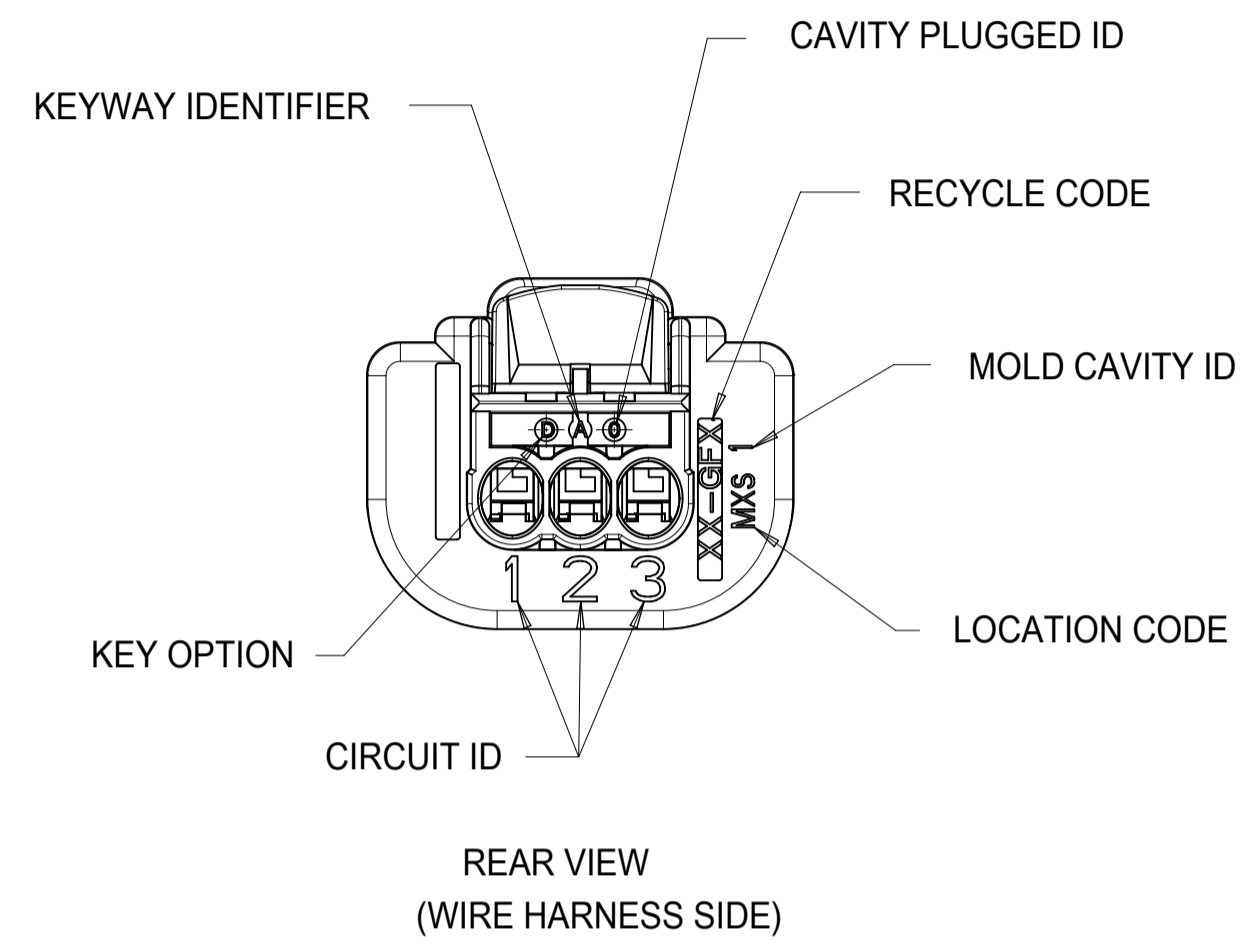
SINGLE KEY OPTION "C"



SINGLE KEY OPTION "D"

<b>SYMBOLS</b> = 0 = 0 = 0 = 0 = 0 = 0 = 0 = 0 = 0	THIS DRAWING CONTAINS INFORMATION THAT IS PROPRIETARY TO MOLEX ELECTRONIC TECHNOLOGIES, LLC AND SHOULD NOT BE USED WITHOUT WRITTEN PERMISSION DIMENSION UNITS: <b>mm</b> SCALE: <b>3:1</b>	CURRENT REV DESC: EC NO: 171123 DRWN: PXU25 2017/12/26 CHK'D: KBORUSZEWSKI 2018/01/26 APPR: MVANSLAMBROU 2018/02/02			
	GENERAL TOLERANCES (UNLESS SPECIFIED) ANGULAR TOL ± 3.0° 4 PLACES ± 3 PLACES ± 2 PLACES ± 0.1 1 PLACE ± 0.3 0 PLACES ±	INITIAL REVISION: DRWN: CYMA 2016/07/20 APPR: KDEKOSKI 2017/02/08	RECEPTACLE ASSEMBLY 3-WAY USCAR CONNECTOR 1.5MM CABLE SEAL PRODUCT CUSTOMER DRAWING		
DRAFT WHERE APPLICABLE MUST REMAIN WITHIN DIMENSIONS	THIRD ANGLE PROJECTION 	DRAWING: <b>A1-SIZE</b> SERIES: <b>160073</b>	DOCUMENT NUMBER: <b>SD-160073-001</b> DOC TYPE: <b>PSD</b> DOC PART: <b>001</b> REVISION: <b>R</b>	MATERIAL NUMBER CUSTOMER: <b>GENERAL MARKET</b> SHEET NUMBER: <b>3 OF 6</b>	

VIEWS



SYMBOLS		THIS DRAWING CONTAINS INFORMATION THAT IS PROPRIETARY TO MOLEX ELECTRONIC TECHNOLOGIES, LLC AND SHOULD NOT BE USED WITHOUT WRITTEN PERMISSION		CURRENT REV DESC:		molex		
▽ = 0	DIMENSION UNITS	mm	SCALE	2:1		RECEPTACLE ASSEMBLY		
▽ = 0	GENERAL TOLERANCES (UNLESS SPECIFIED)		EC NO: 171123			3-WAY USCAR CONNECTOR 1.5MM CABLE SEAL		
▽ = 0	ANGULAR TOL ± 3.0°		DRWN: PXU25 2017/12/26			PRODUCT CUSTOMER DRAWING		
▽ = 0	4 PLACES ±	CHK'D: KBORUSZEWSKI 2018/01/26			DOCUMENT NUMBER			
▽ = 0	3 PLACES ±	APPR: MVANSLAMBROU 2018/02/02			DOC TYPE   DOC PART   REVISION			
▽ = 0	2 PLACES ± 0.1	INITIAL REVISION:			SD-160073-001			
▽ = 0	1 PLACE ± 0.3	DRWN: CYMA 2016/07/20			PSD 001 R			
▽ = 0	0 PLACES ±	APPR: KDEKOSKI 2017/02/08			MATERIAL NUMBER			
▽ = 0	DRAFT WHERE APPLICABLE MUST REMAIN WITHIN DIMENSIONS		THIRD ANGLE PROJECTION	DRAWING	SERIES	CUSTOMER		SHEET NUMBER
▽ = 0				A1-SIZE	160073	GENERAL MARKET		4 OF 6

ASSEMBLY DESCRIPTION	ASSEMBLY P/N	HOUSING KEY/COLOR	BLOCKED TERMINALS			MATES W/ USCAR DUAL KEY	MATES W/ USCAR SINGLE KEY	STATUS	COMMENTS
			1	2	3				
KEY A, BLACK, W/O CPA	1600733101	A-BLACK				150-S-003-1-A01	N/A	SALEABLE	N/A
KEY B, LT GREY, W/O CPA	1600733102	B-LT GREY				150-S-003-1-B01	N/A	SALEABLE	N/A
KEY C, DK GREY, W/O CPA	1600733103	C-DK GREY				150-S-003-1-C01	N/A	SALEABLE	N/A
KEY D, ST GREY, W/O CPA	1600733104	D-ST GREY				150-S-003-1-D01	N/A	SALEABLE	N/A
KEY A, BLACK, W/ CPA	1600733105	A-BLACK				150-S-003-1-A01	N/A	SALEABLE	N/A
KEY B, LT GREY, W/ CPA	1600733106	B-LT GREY				150-S-003-1-B01	N/A	SALEABLE	N/A
KEY C, DK GREY, W/ CPA	1600733107	C-DK GREY				150-S-003-1-C01	N/A	SALEABLE	N/A
KEY D, ST GREY, W/ CPA	1600733108	D-ST GREY				150-S-003-1-D01	N/A	SALEABLE	N/A
KEY A, BLACK, W/O CPA	1600733109	A-BLACK				N/A	150-S-003-1-A02	SALEABLE	N/A
KEY B, LT GREY, W/O CPA	1600733110	B-LT GREY				N/A	150-S-003-1-B02	SALEABLE	N/A
KEY C, DK GREY, W/O CPA	1600733111	C-DK GREY				N/A	150-S-003-1-C02	SALEABLE	N/A
KEY D, ST GREY, W/O CPA	1600733112	D-ST GREY				N/A	150-S-003-1-D02	SALEABLE	N/A
KEY A, BLACK, W/ CPA	1600733113	A-BLACK				N/A	150-S-003-1-A02	SALEABLE	N/A
KEY B, LT GREY, W/ CPA	1600733114	B-LT GREY				N/A	150-S-003-1-B02	SALEABLE	N/A
KEY C, DK GREY, W/ CPA	1600733115	C-DK GREY				N/A	150-S-003-1-C02	SALEABLE	N/A
KEY D, ST GREY, W/ CPA	1600733116	D-ST GREY				N/A	150-S-003-1-D02	SALEABLE	N/A
KEY B, BLACK, W/O CPA	1600733117	B-BLACK				150-S-003-1-B01	N/A	SALEABLE	N/A
KEY D, BLACK, W/O CPA	1600733118	D-BLACK				N/A	150-S-003-1-D02	SALEABLE	N/A
KEY B, BLACK, W/ CPA	1600733119	B-BLACK				150-S-003-1-B01	N/A	SALEABLE	N/A

ASSEMBLY MATERIALS			
ITEM	DESCRIPTION	COLOR	RECYCLE CODE
1	RECEPTACLE HOUSING	SEE CHART	PA6 GF40 (FOR 160073 SERIES)
2	TPA	NATURAL	PBT-GF30
3	CPA	RED	PBT-GF30
4	PERIMETER SEAL	BLUE	SILICON 50 DUROMETER

<b>SYMBOLS</b> = 0 = 0 = 0 = 0 = 0 = 0 = 0 = 0 = 0 = 0	THIS DRAWING CONTAINS INFORMATION THAT IS PROPRIETARY TO MOLEX ELECTRONIC TECHNOLOGIES, LLC AND SHOULD NOT BE USED WITHOUT WRITTEN PERMISSION		CURRENT REV DESC:		 RECEPTACLE ASSEMBLY 3-WAY USCAR CONNECTOR 1.5MM CABLE SEAL PRODUCT CUSTOMER DRAWING	
	DIMENSION UNITS	SCALE	EC NO: 171123			DOCUMENT NUMBER
	mm	1:1	DRWN: PXU25 2017/12/26			SD-160073-001
	GENERAL TOLERANCES (UNLESS SPECIFIED)		CHK'D: KBORUSZEWSKI 2018/01/26		DOC TYPE	
	ANGULAR TOL ± 3.0°		APPR: MVANSLAMBROU 2018/02/02		DOC PART	
	4 PLACES ±		INITIAL REVISION:		REVISION	
	3 PLACES ±		DRWN: CYMA 2016/07/20		R	
	2 PLACES ± 0.1		APPR: KDEKOSKI 2017/02/08			
	1 PLACE ± 0.3		DRAFT WHERE APPLICABLE MUST REMAIN WITHIN DIMENSIONS		MATERIAL NUMBER	
	0 PLACES ±		THIRD ANGLE PROJECTION	DRAWING	SERIES	CUSTOMER
			A1-SIZE	160073	GENERAL MARKET	
					SHEET NUMBER	
					5 OF 6	

# TERMINAL AND CABLE SEAL

22	34083-2003	RIGHT	TIN	22	E-1644-01	1.19-1.65	PINK	
22	34083-3003	LEFT	TIN	22				
22	34081-2005	RIGHT	GOLD	22				
22	34081-3005	LEFT	GOLD	22	E-1644-00	1.60-2.10	GREEN	
20	34083-2002	RIGHT	TIN	18/20				
20	34083-3002	LEFT	TIN	18/20				
20	34081-2004	RIGHT	GOLD	18/20				
20	34081-3004	LEFT	GOLD	18/20				
18	34083-2002	RIGHT	TIN	18/20				
18	34083-3002	LEFT	TIN	18/20	E-1644-02	2.10-2.50	YELLOW	
18	34081-2004	RIGHT	GOLD	18/20				
18	34081-3004	LEFT	GOLD	18/20				
16	34083-2001	RIGHT	TIN	16	E-1644-02	2.10-2.50	YELLOW	
16	34083-3001	LEFT	TIN	16				
16	34081-2003	RIGHT	GOLD	16				
16	34081-3003	LEFT	GOLD	16	QSR P/N	WIRE OD RANGE	COLOR	
AWG	PART NUMBER	PAYOFF DIRECTION	PLATING	GRIP				CABLE SEAL (QSR)
WIRE SIZE								
TERMINAL *PREFERRED* (SEE NOTE 5 FOR OPTIONAL TERMINALS)								

SYMBOLS	THIS DRAWING CONTAINS INFORMATION THAT IS PROPRIETARY TO MOLEX ELECTRONIC TECHNOLOGIES, LLC AND SHOULD NOT BE USED WITHOUT WRITTEN PERMISSION		CURRENT REV DESC:		molex			
= 0	DIMENSION UNITS	SCALE	EC NO: 171123 DRWN: PXU25 2017/12/26 CHK'D: KBORUSZEWSKI 2018/01/26 APPR: MVANSLAMBROU 2018/02/02		RECEPTACLE ASSEMBLY 3-WAY USCAR CONNECTOR 1.5MM CABLE SEAL			
= 0	mm	1:1						
= 0	GENERAL TOLERANCES (UNLESS SPECIFIED)				PRODUCT CUSTOMER DRAWING			
= 0	ANGULAR TOL	± 3.0°						
= 0	4 PLACES	±	INITIAL REVISION: DRWN: CYMA 2016/07/20 APPR: KDEKOSKI 2017/02/08		DOCUMENT NUMBER	DOC TYPE	DOC PART	REVISION
= 0	3 PLACES	±			SD-160073-001	PSD	001	R
= 0	2 PLACES	± 0.1	DRAFT WHERE APPLICABLE MUST REMAIN WITHIN DIMENSIONS		MATERIAL NUMBER	CUSTOMER	SHEET NUMBER	
= 0	1 PLACE	± 0.3			A1-SIZE	160073	GENERAL MARKET	6 OF 6
= 0	0 PLACES	±						
= 0								

